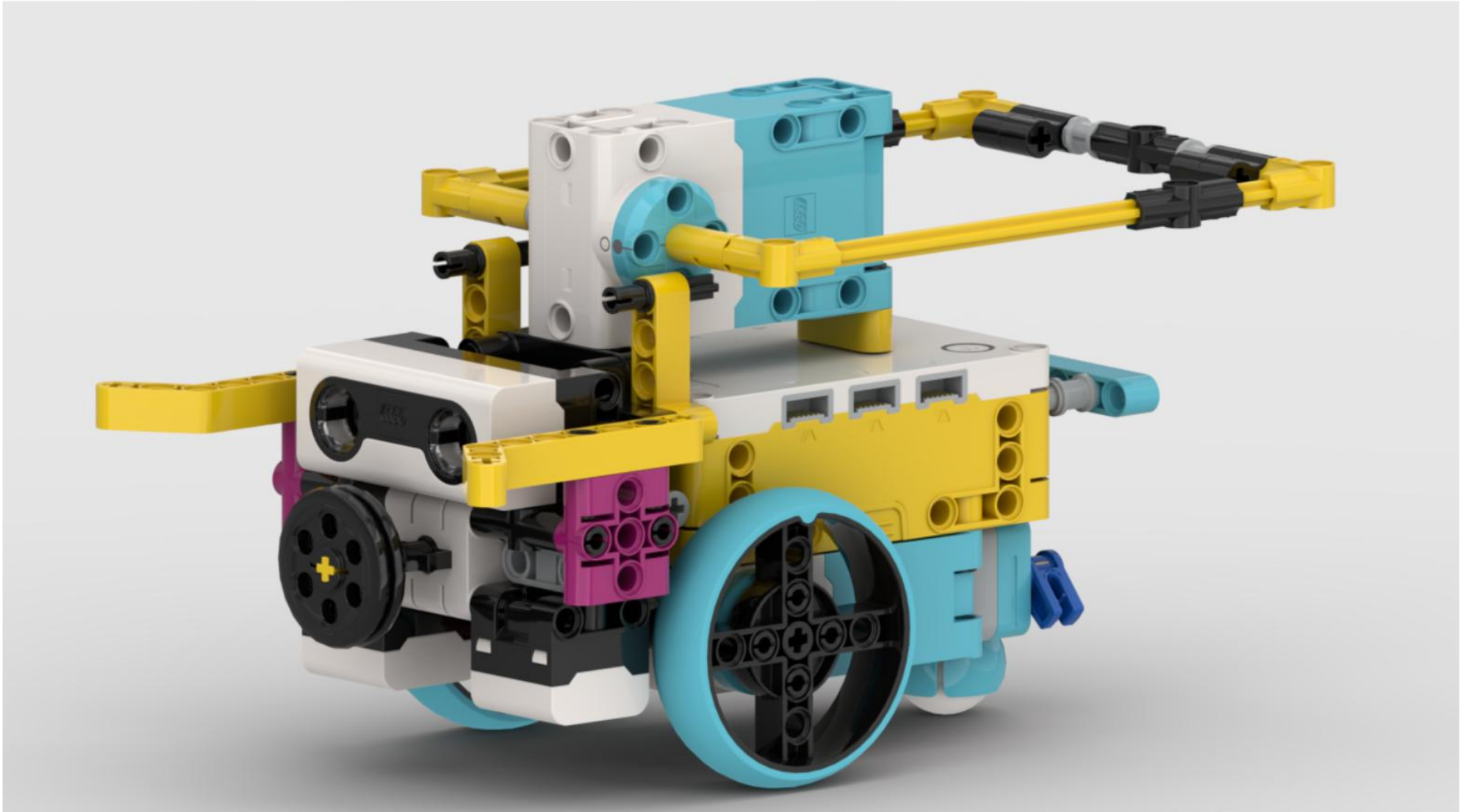
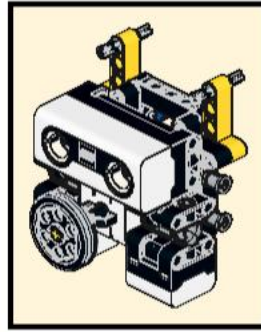
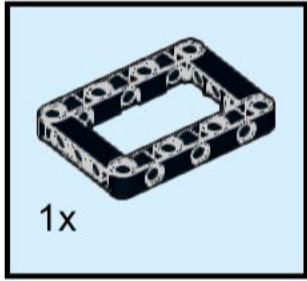


Spike Secondary Line Follow

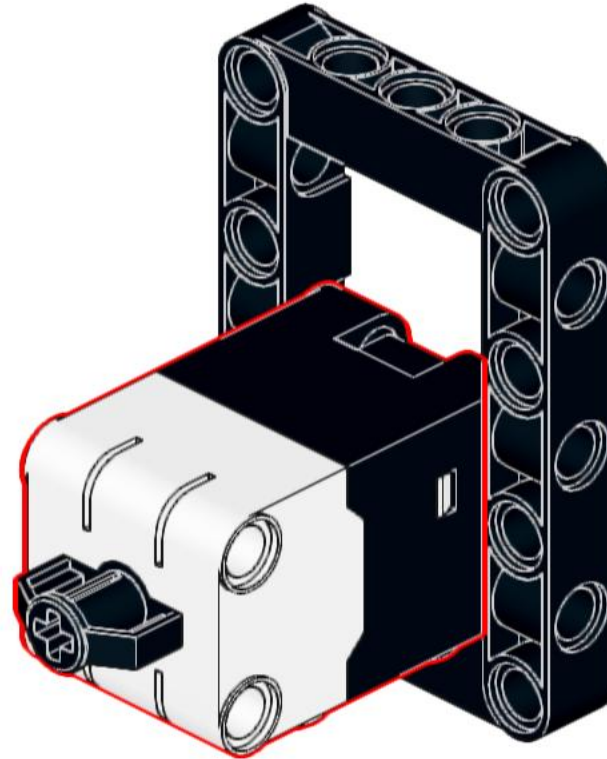
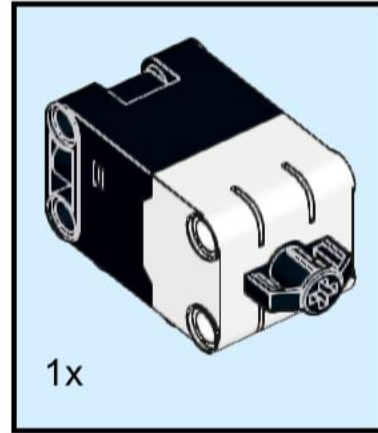
Robot Build Instructions



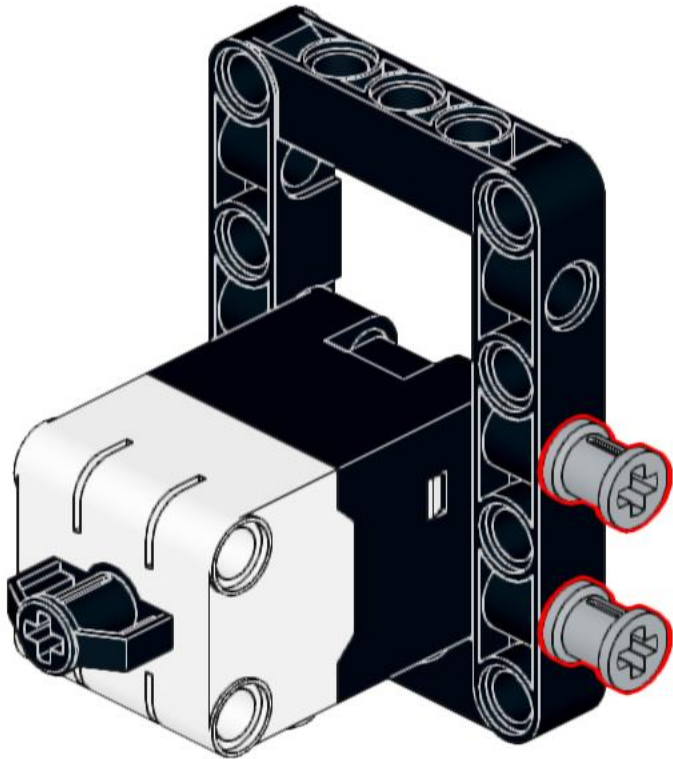
1



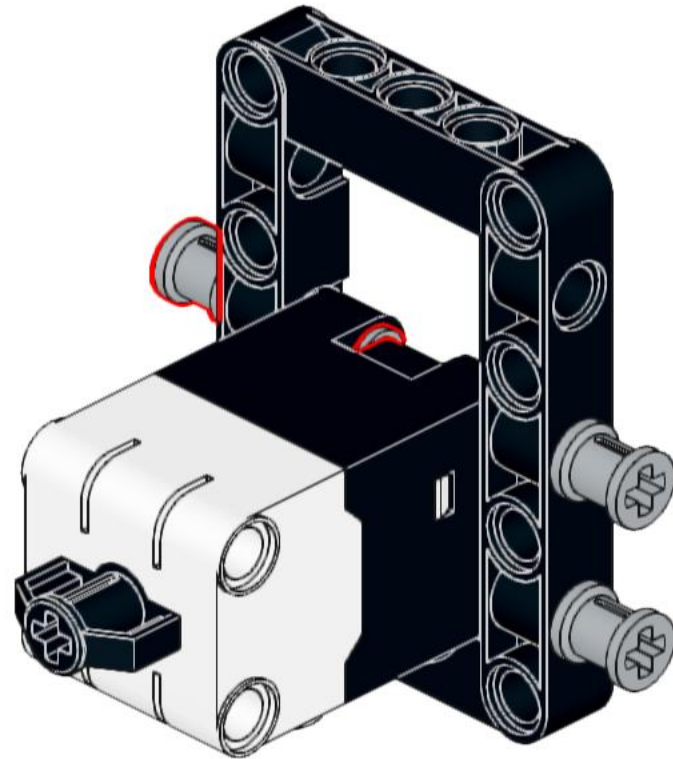
2



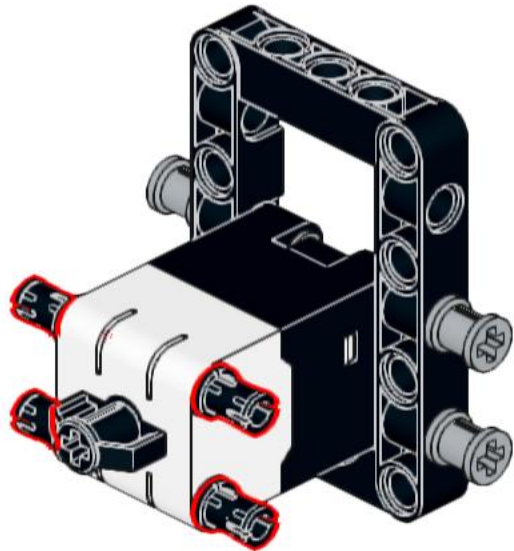
3



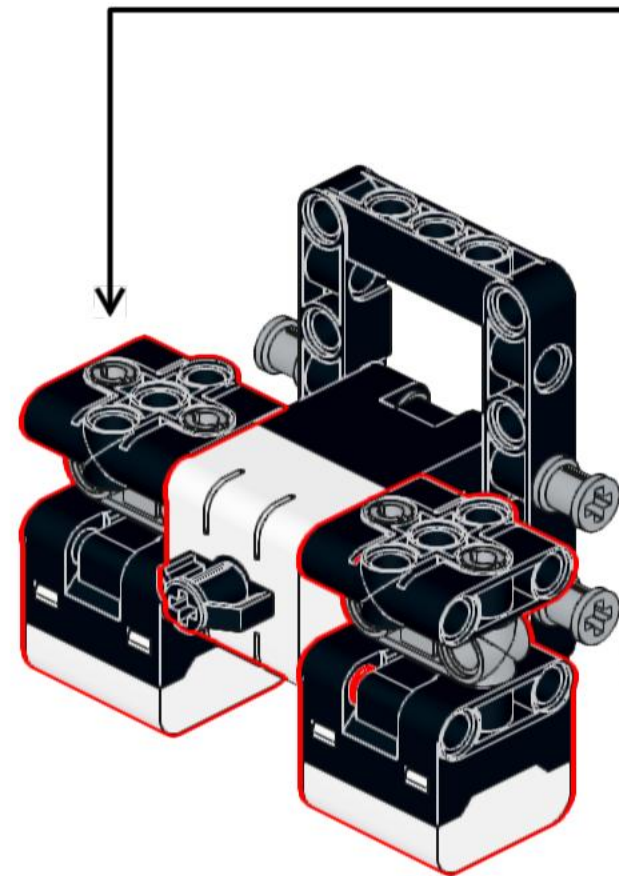
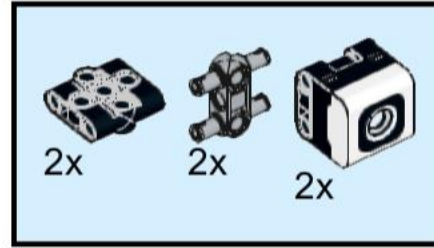
4



5

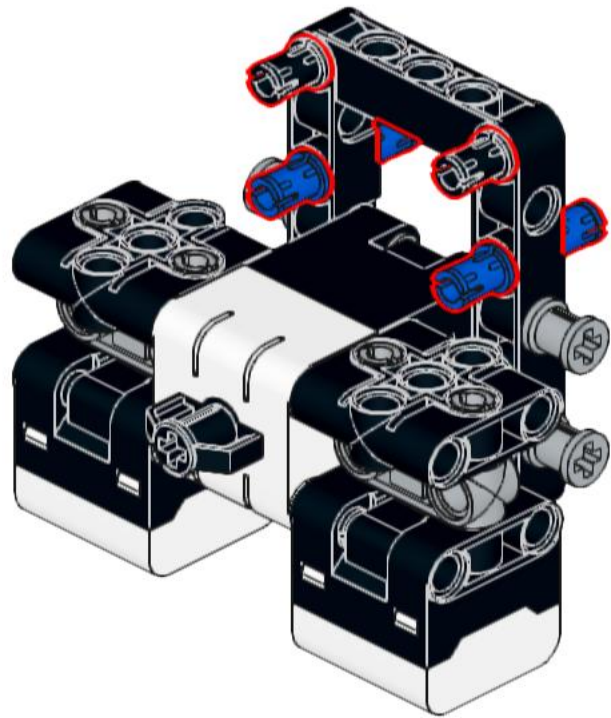
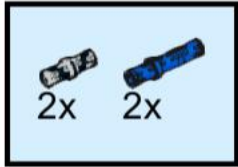


6

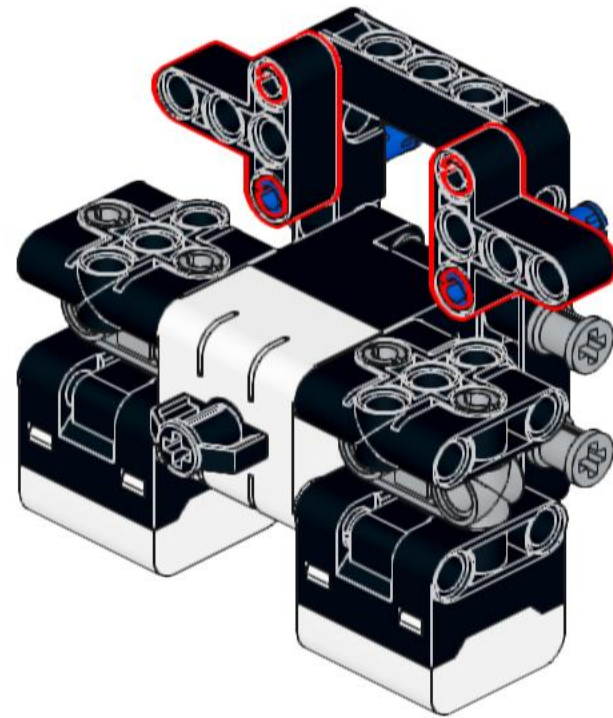


2x

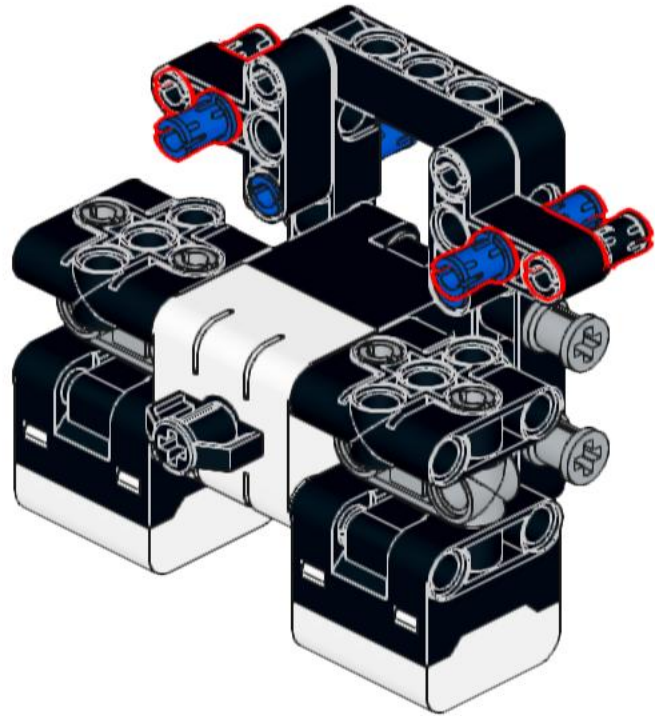
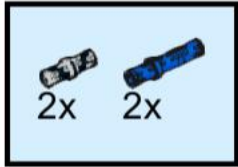
7



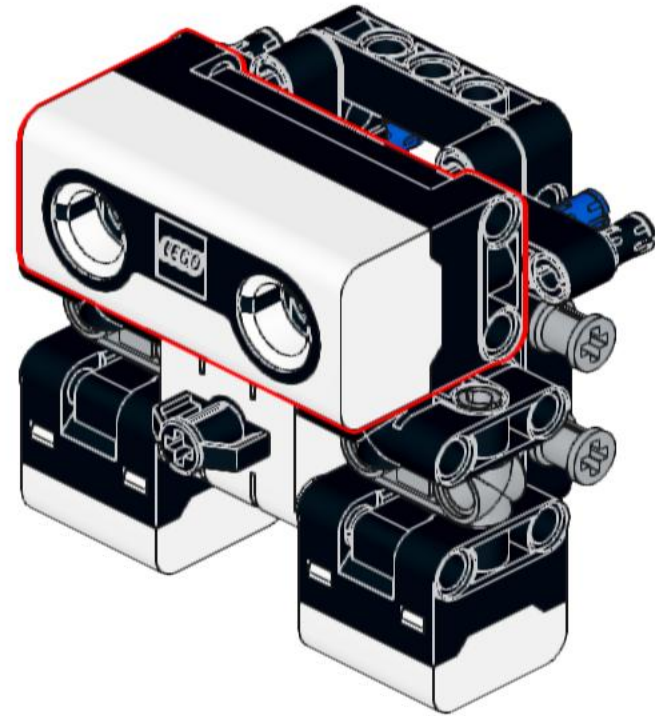
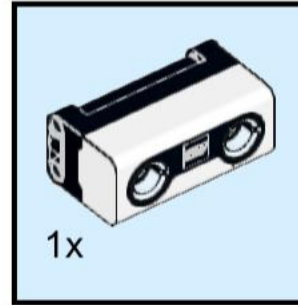
8



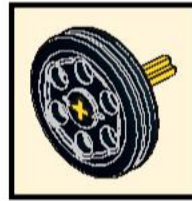
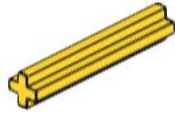
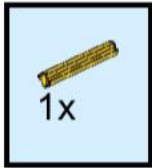
9



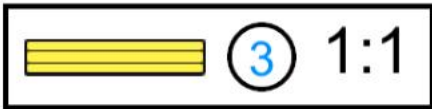
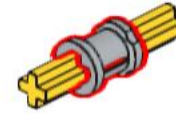
10



11



12



13

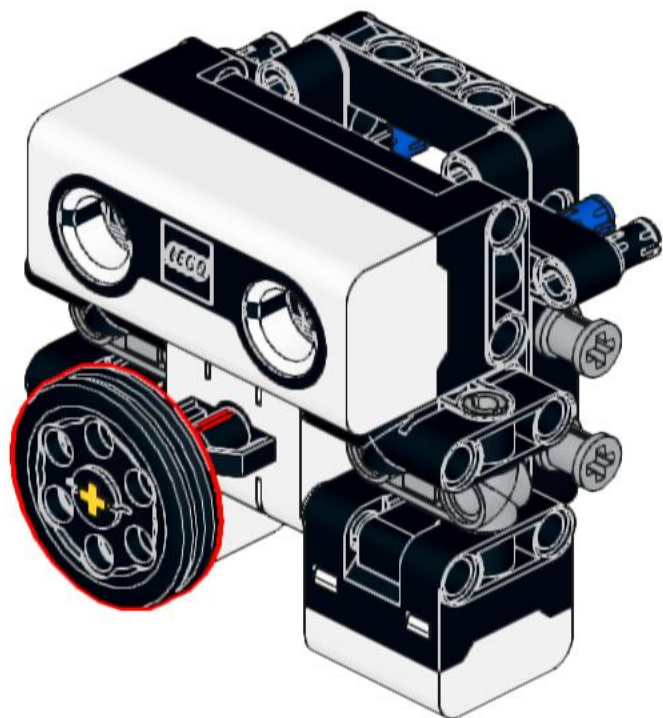


2x

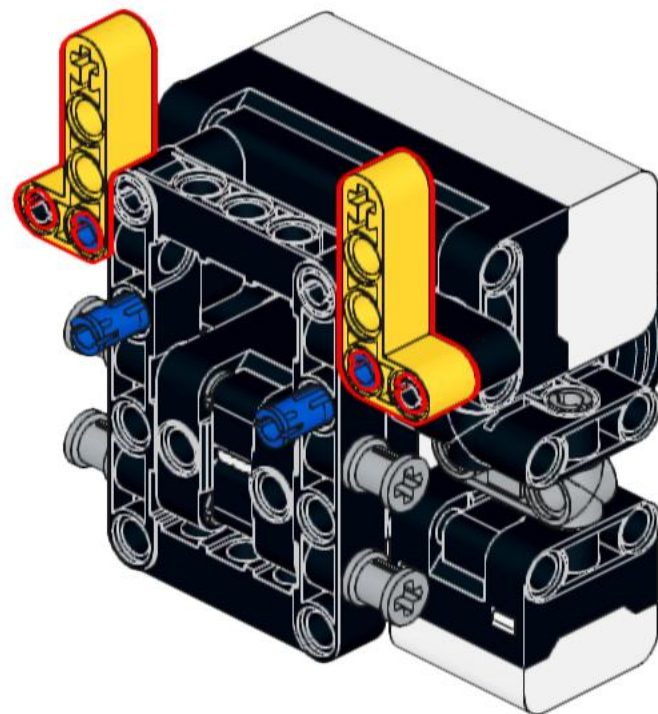
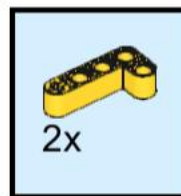
14



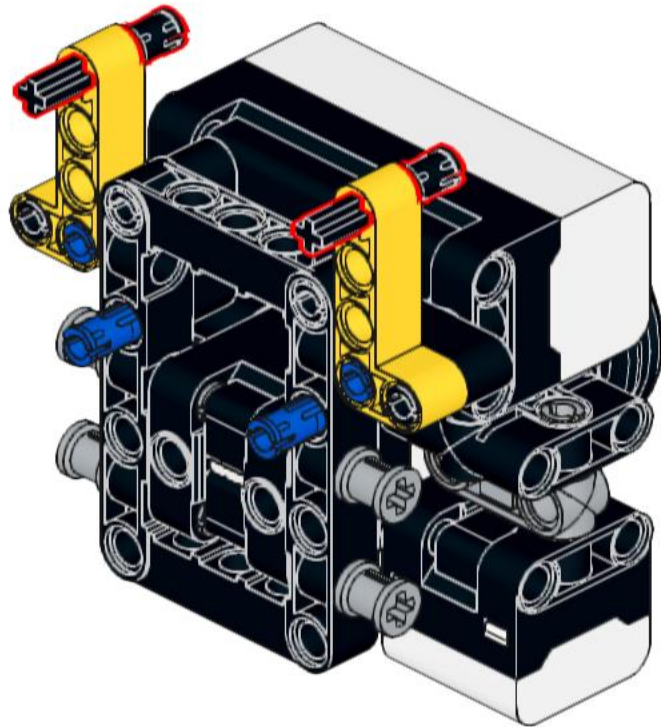
15



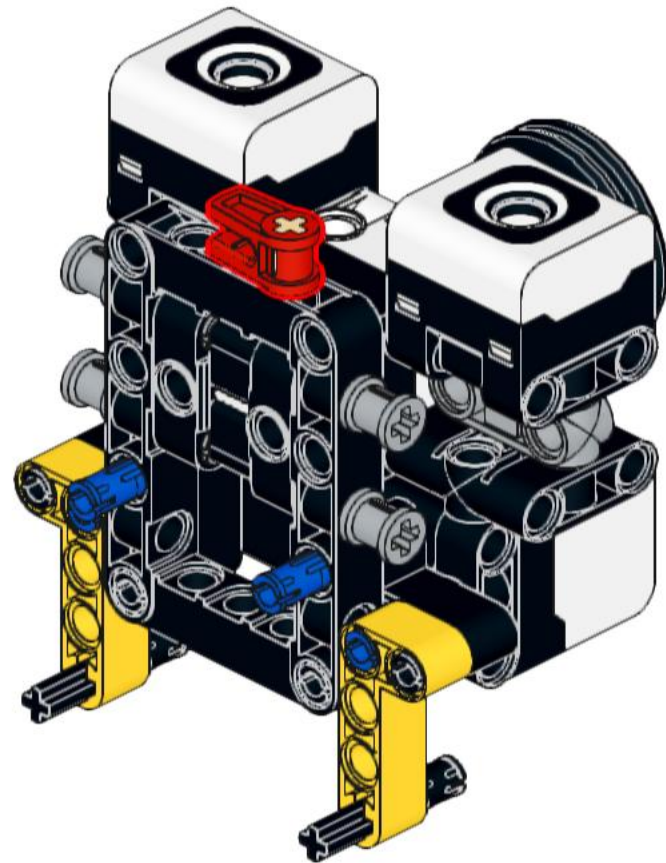
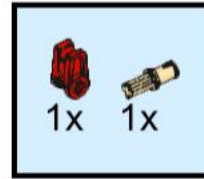
16



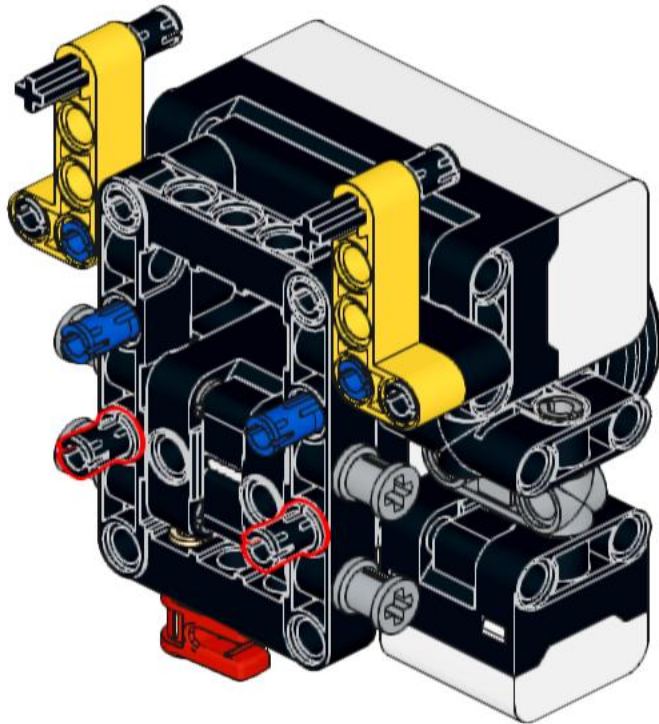
17



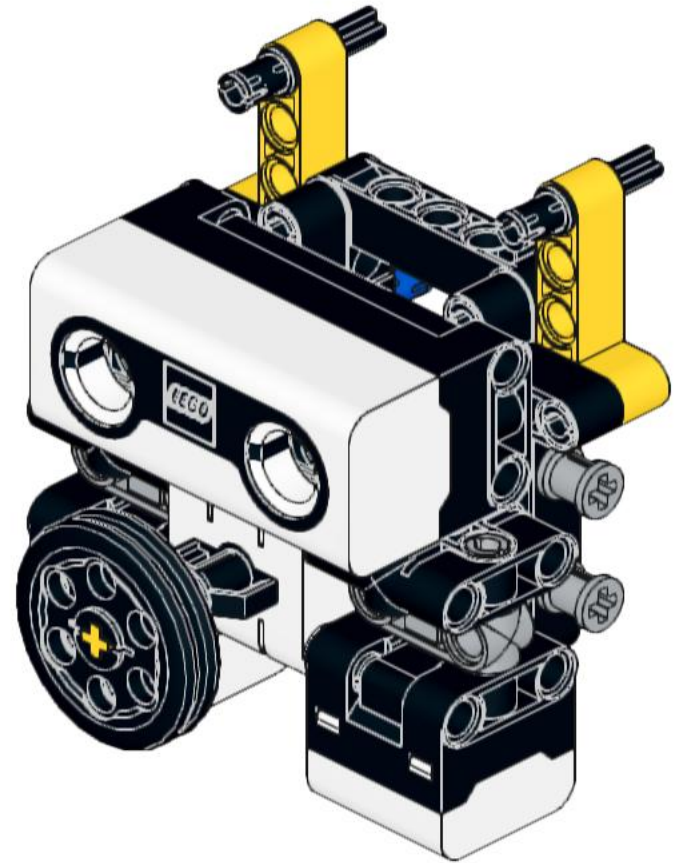
18



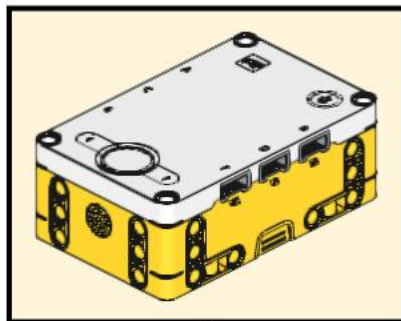
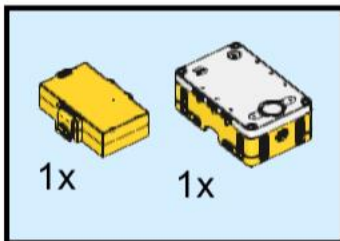
19



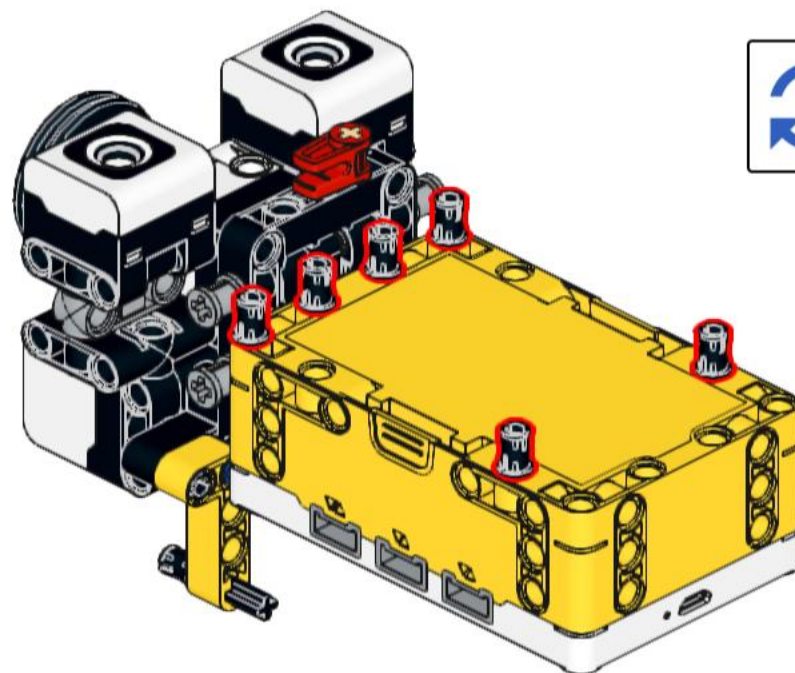
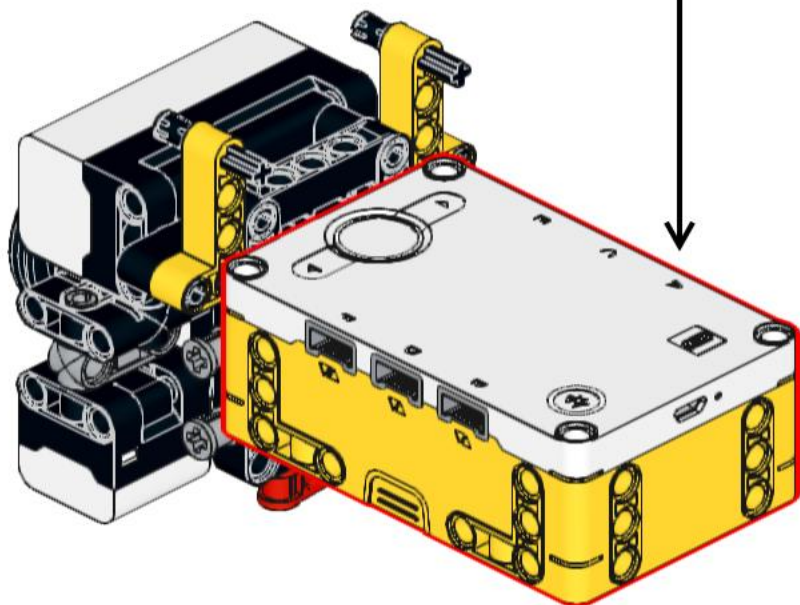
20



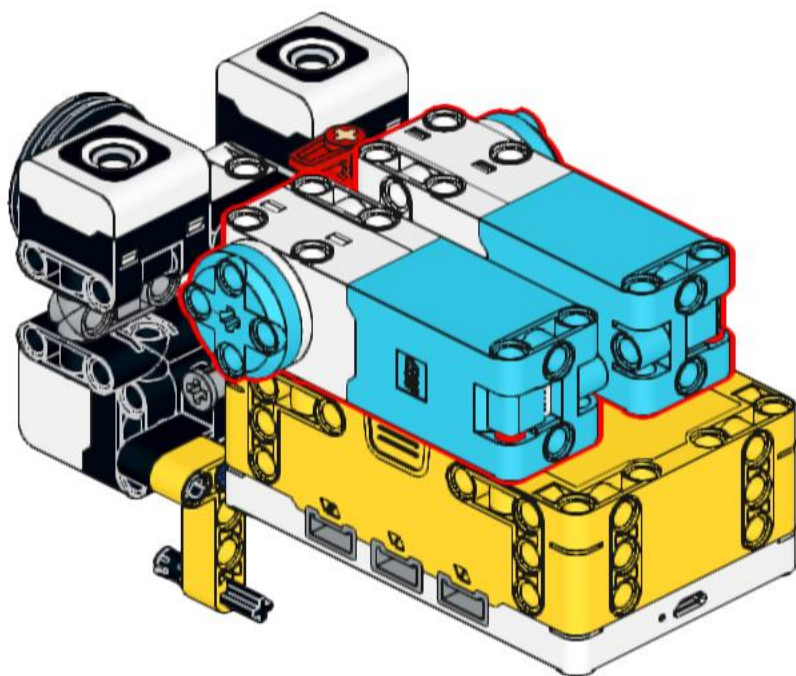
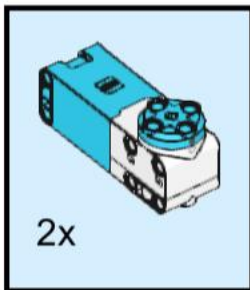
21



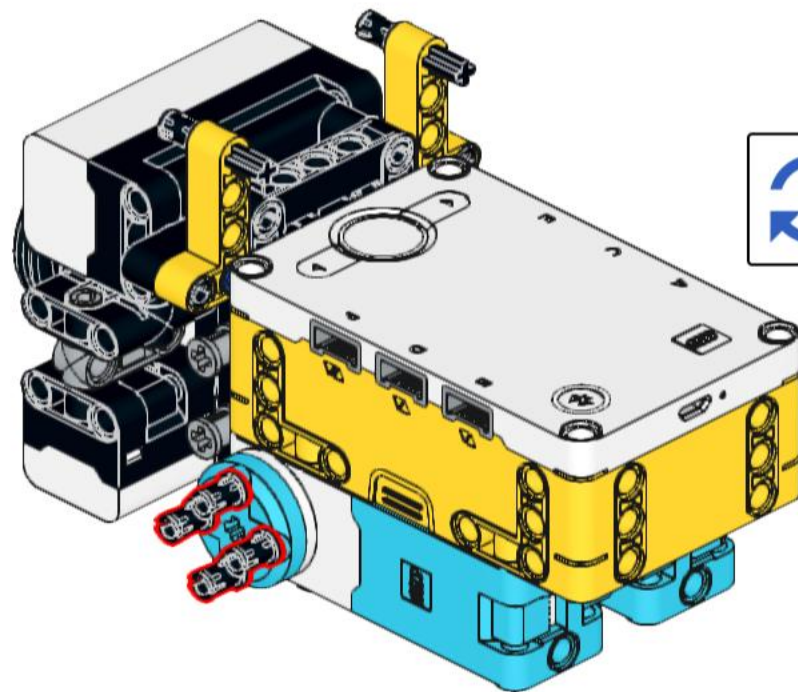
22



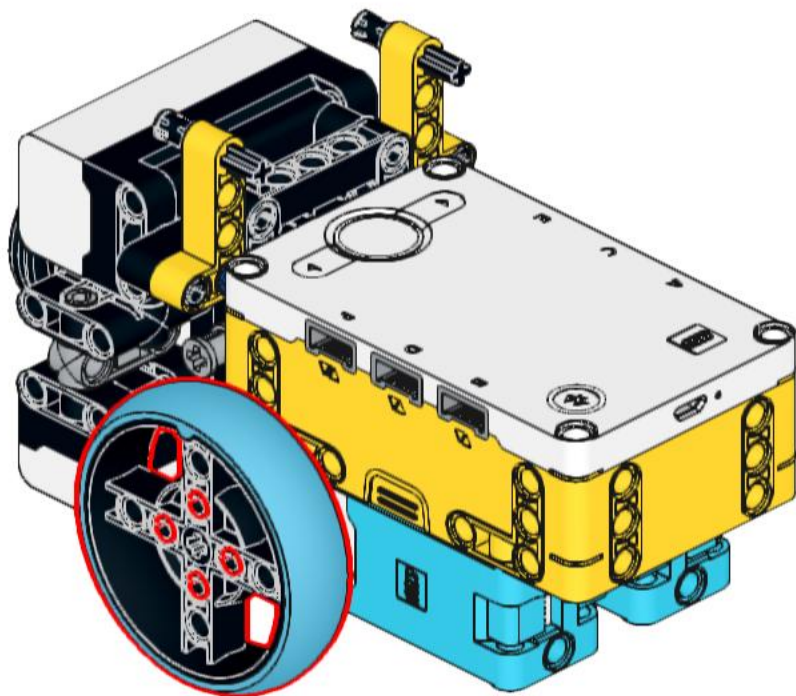
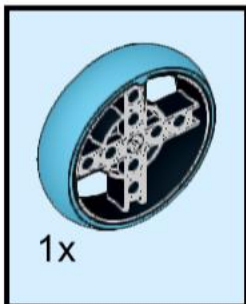
23



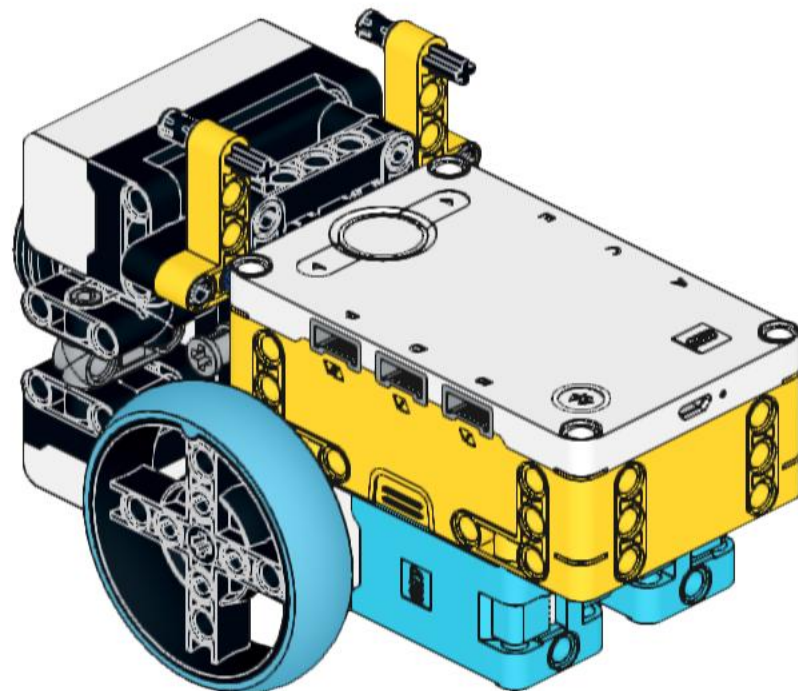
24



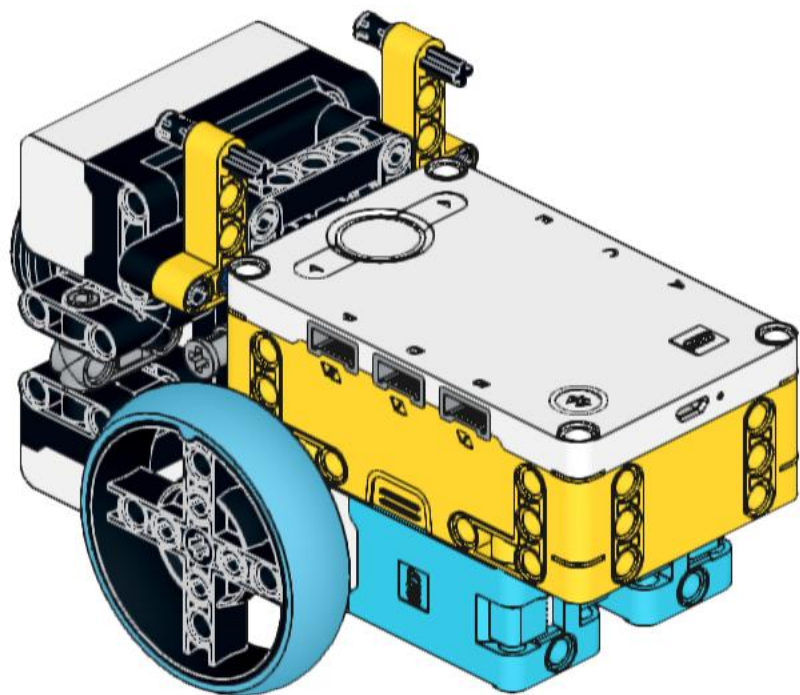
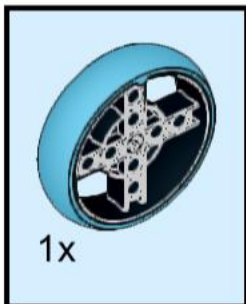
25



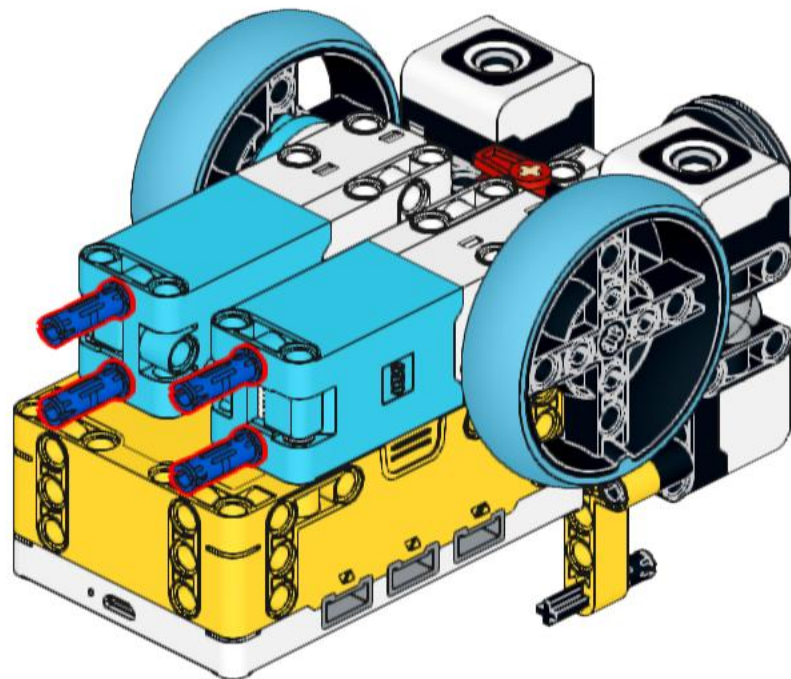
26



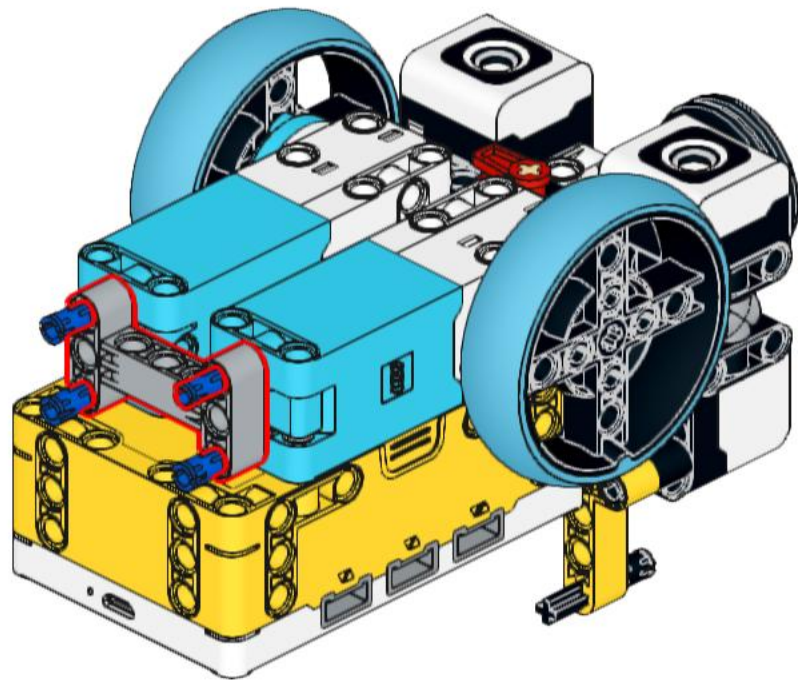
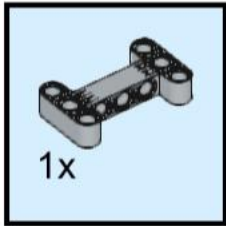
27



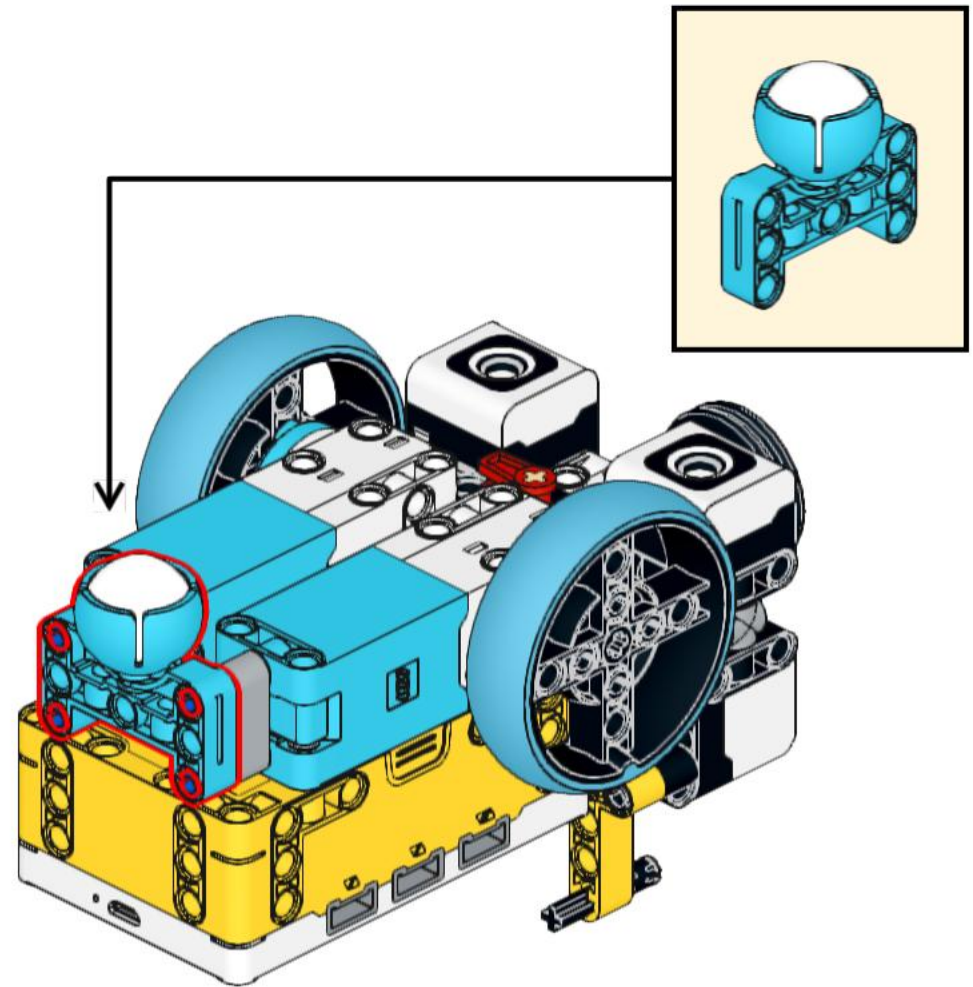
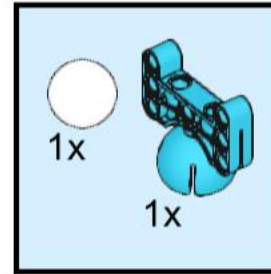
28



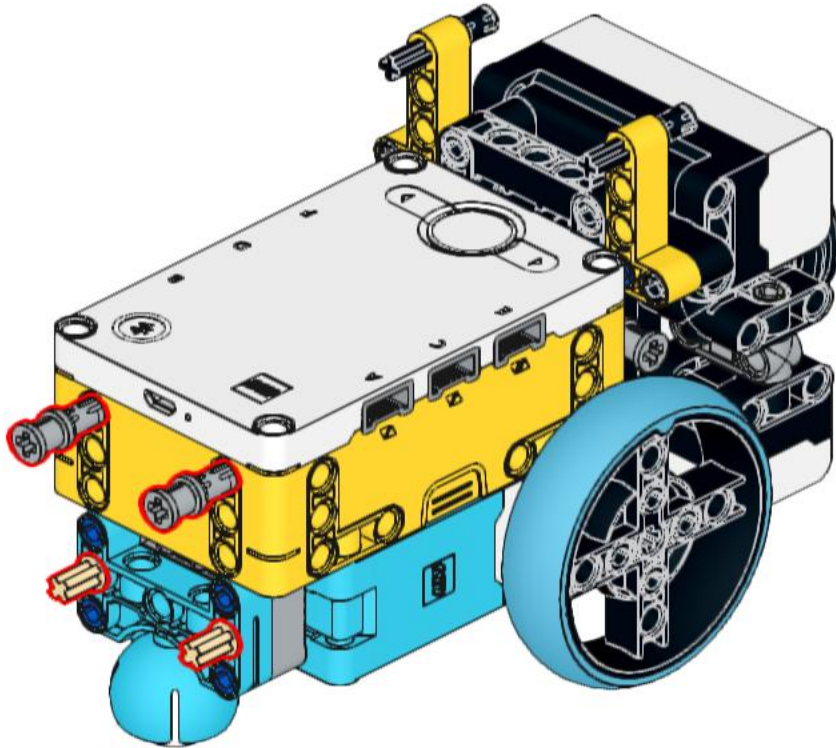
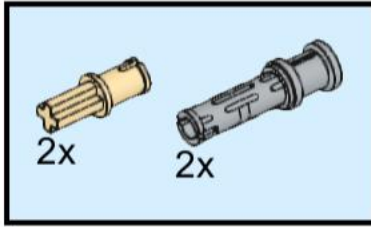
29



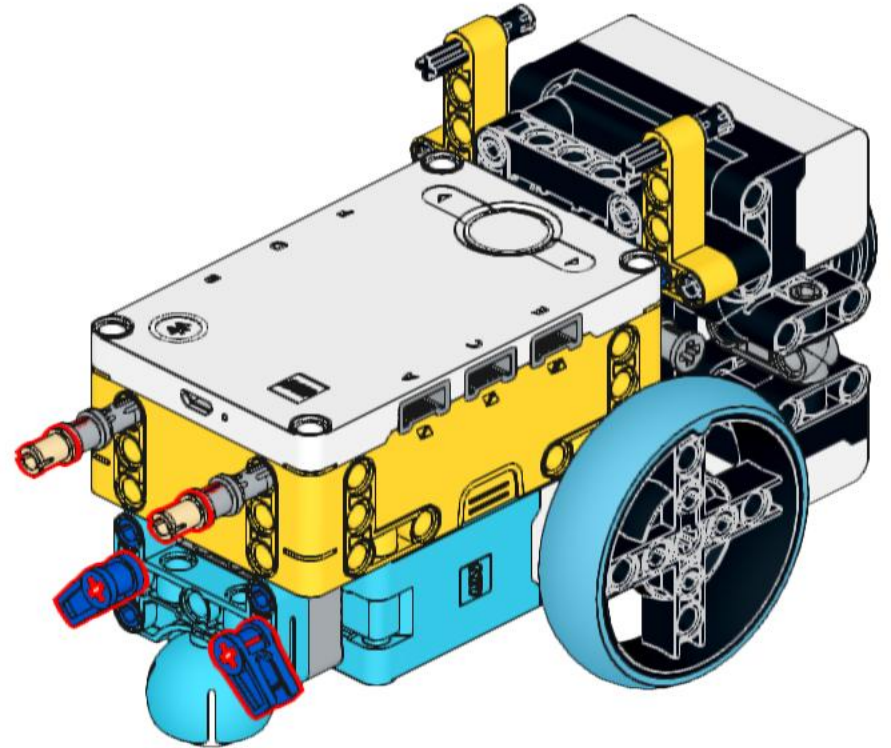
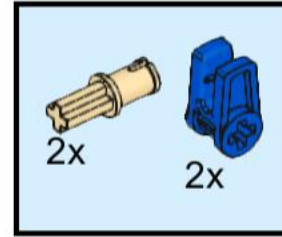
30



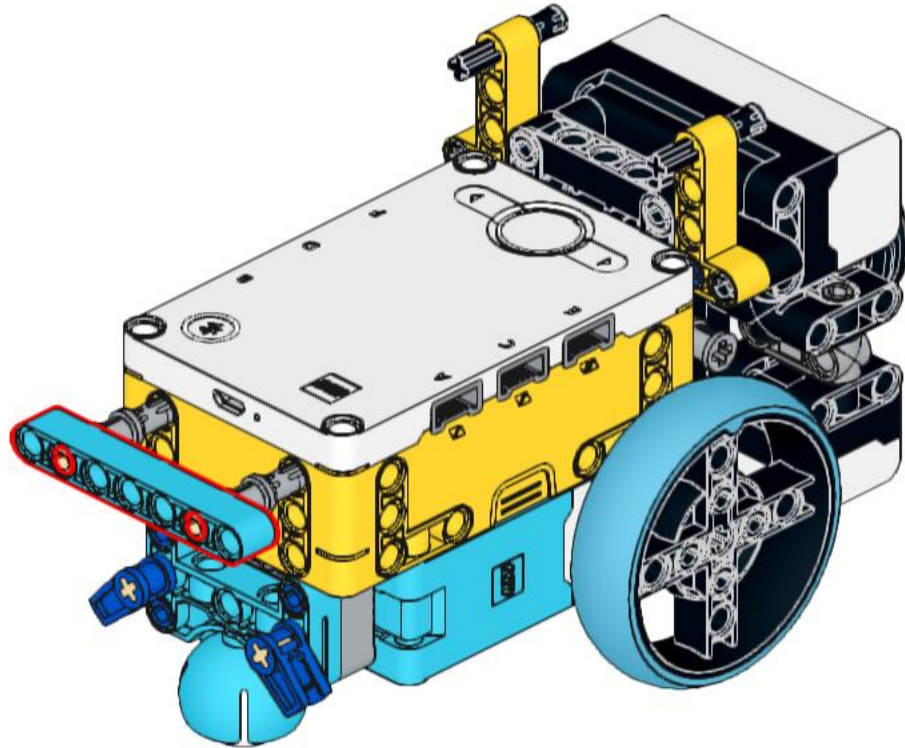
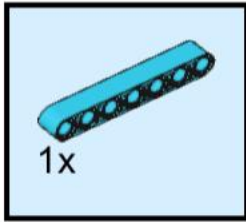
31



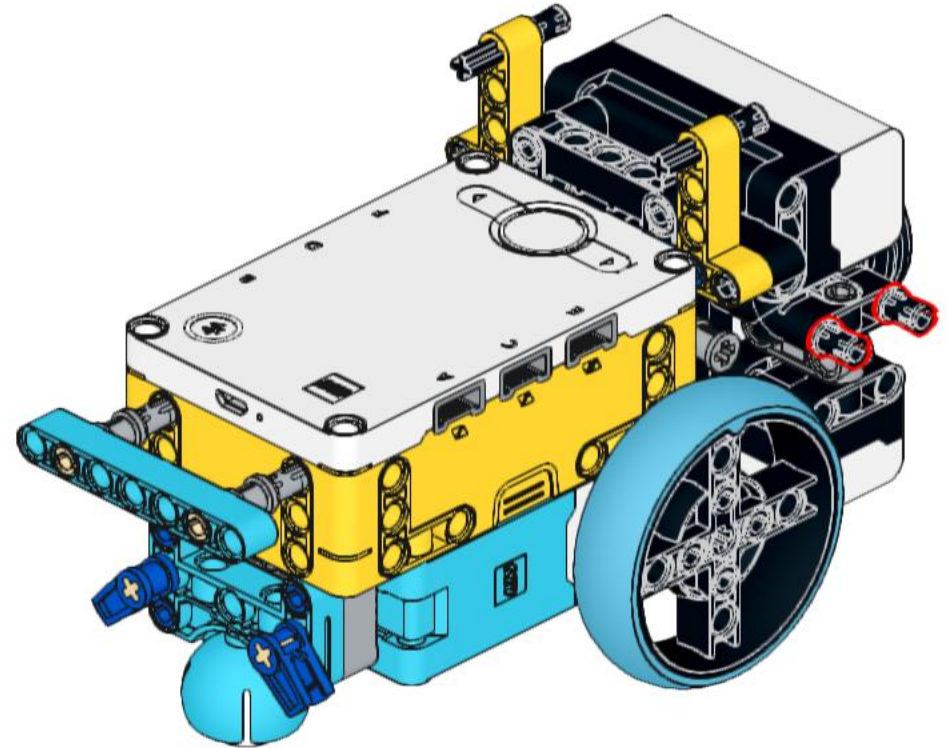
32



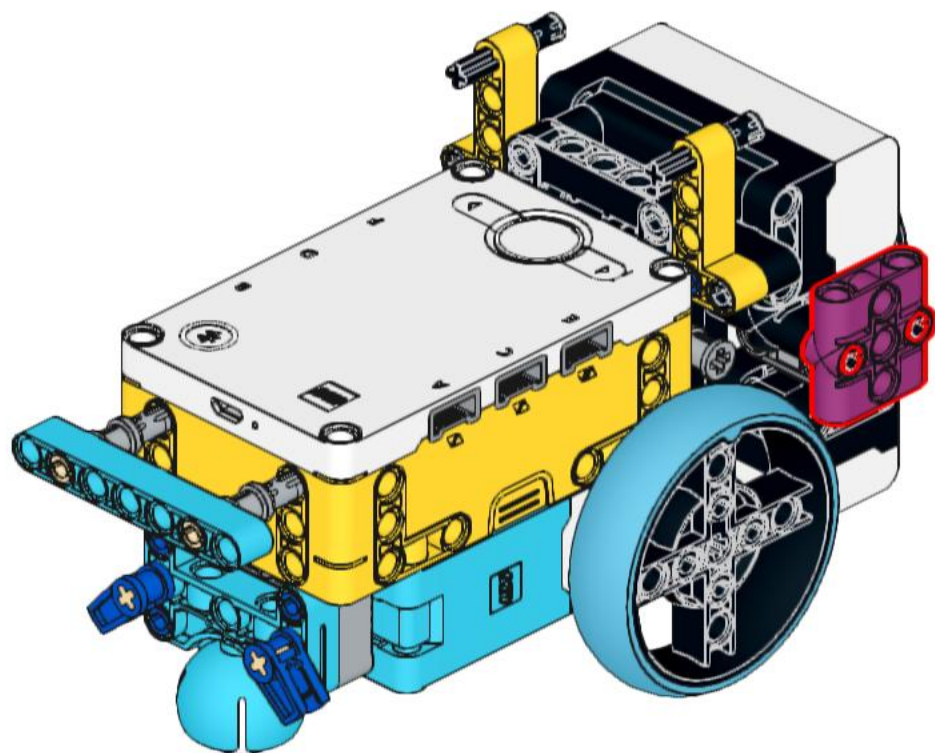
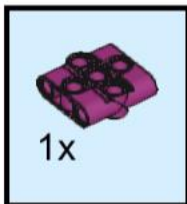
33



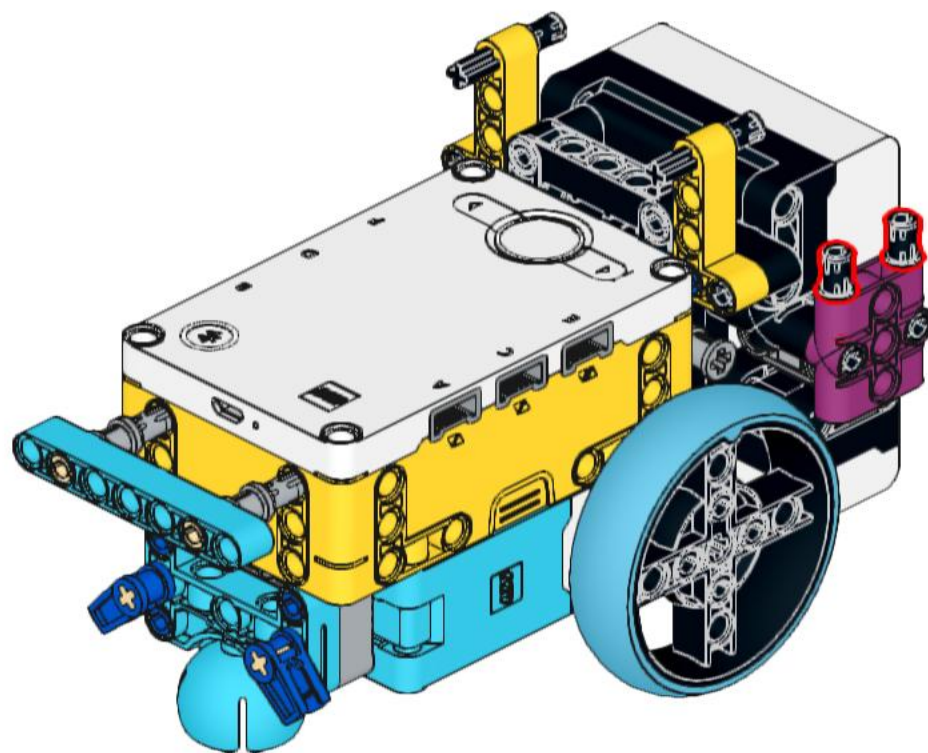
34



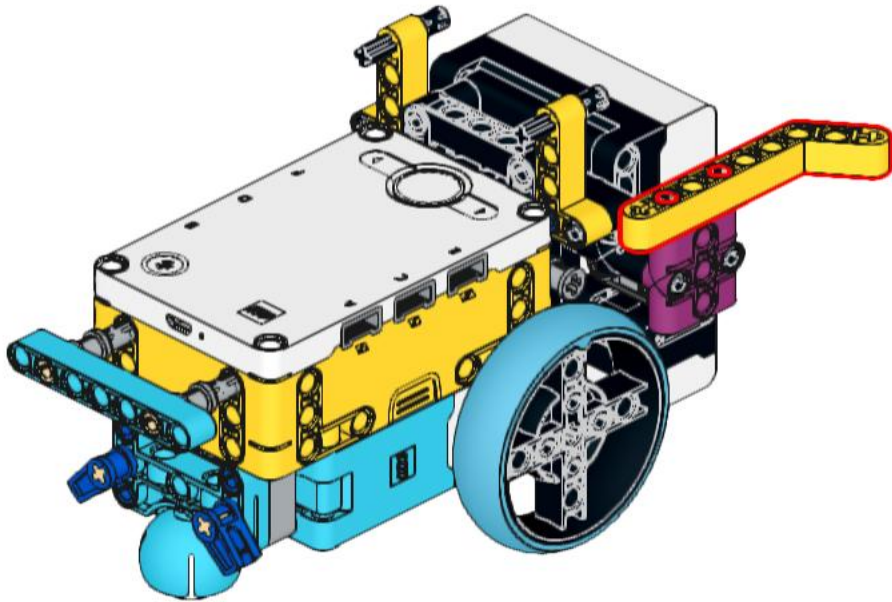
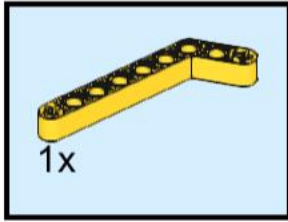
35



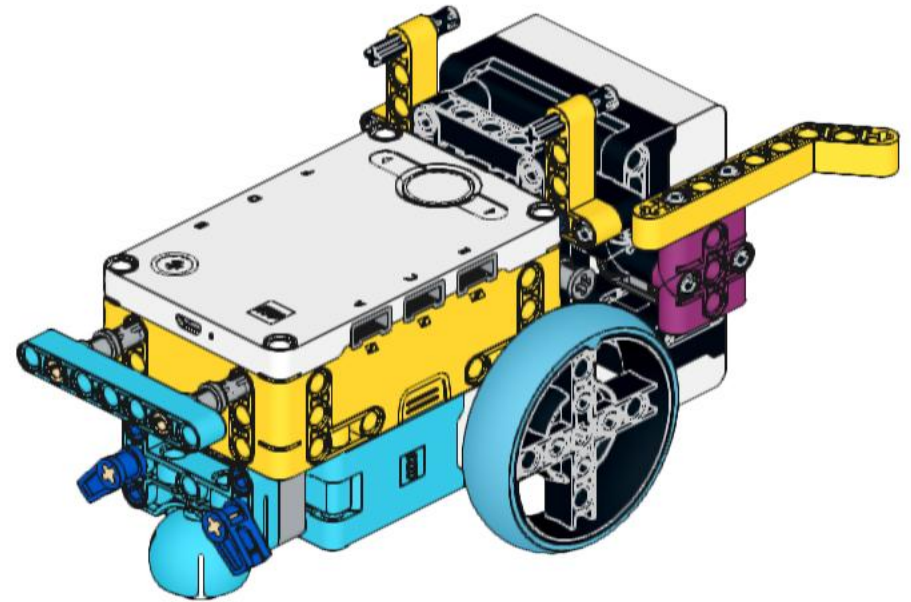
36



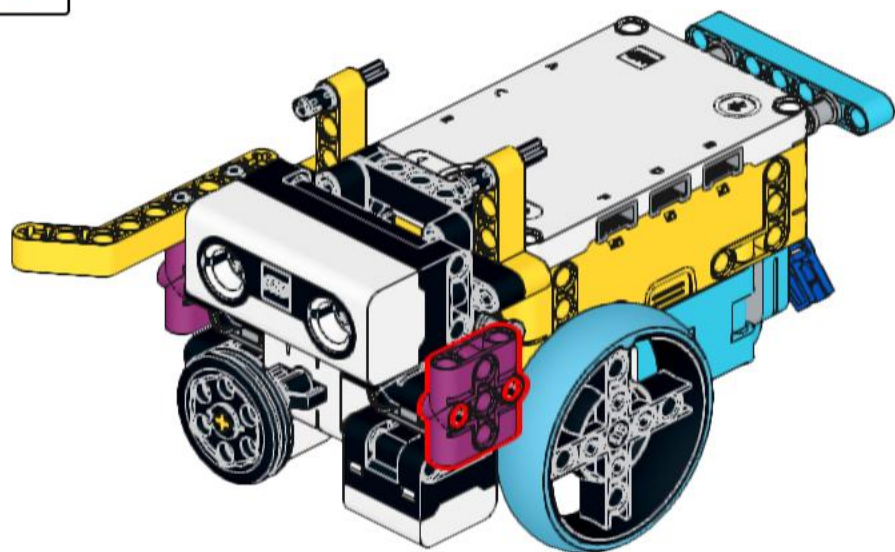
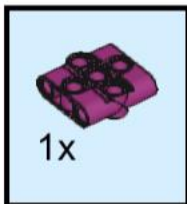
37



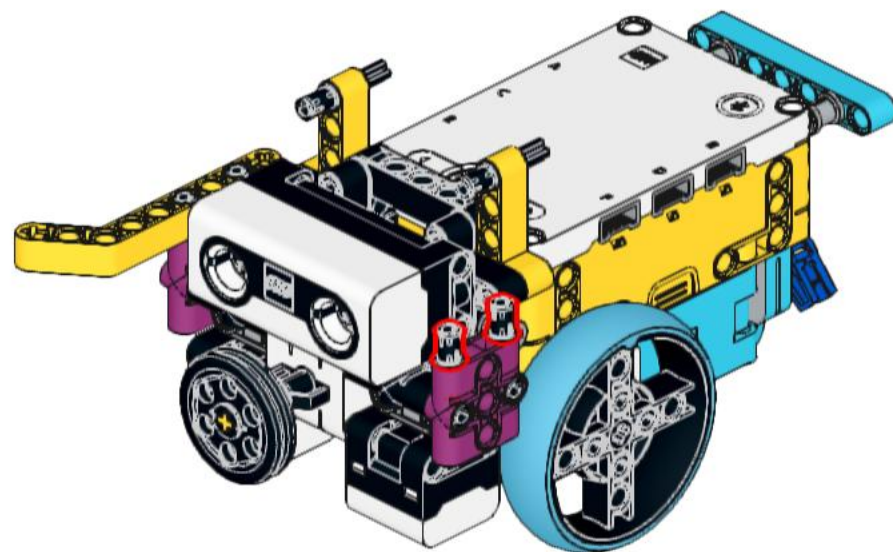
38



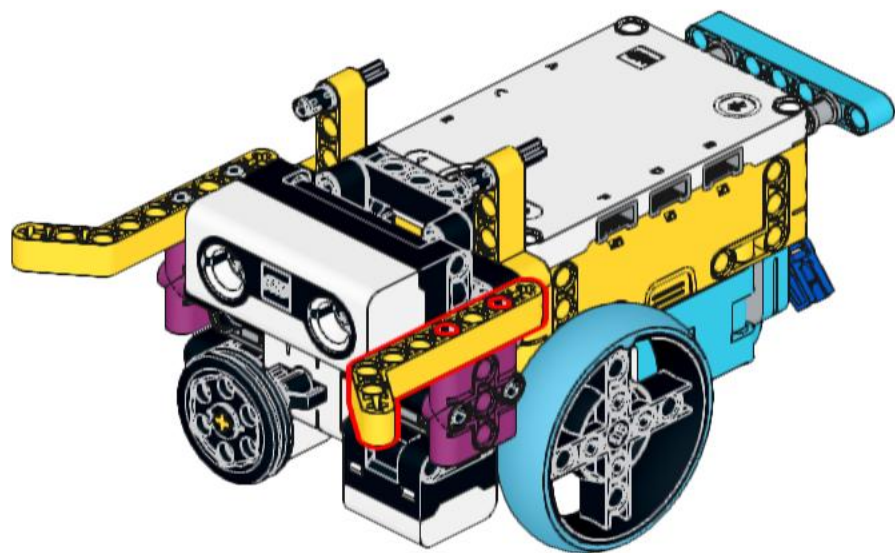
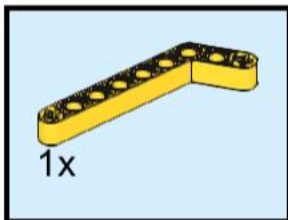
39



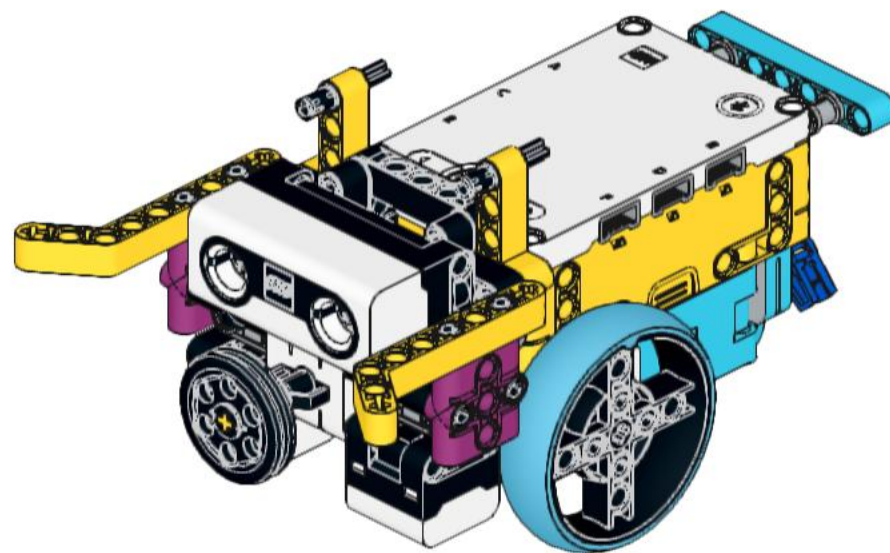
40



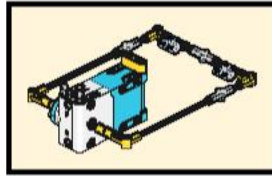
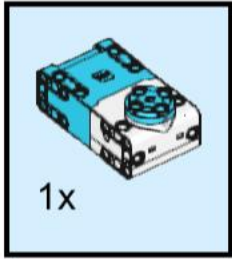
41



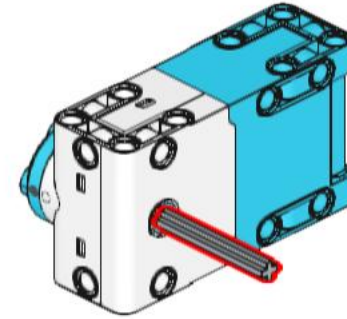
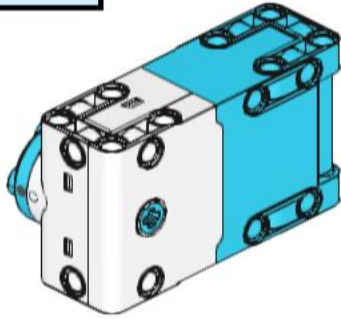
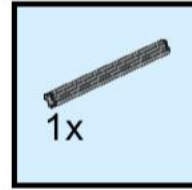
42



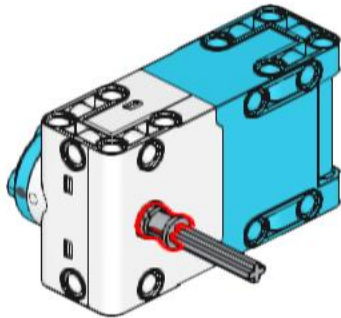
43



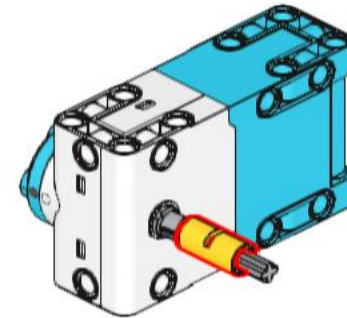
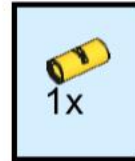
44



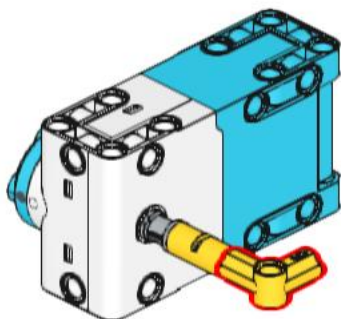
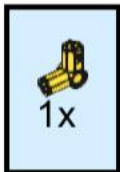
45



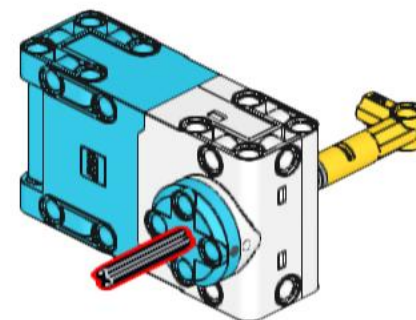
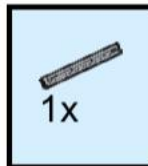
46



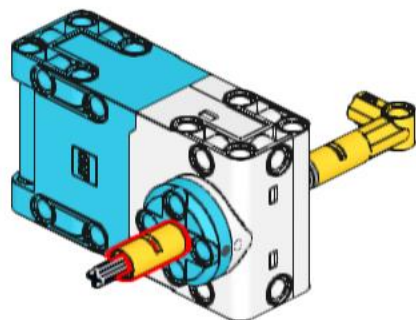
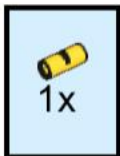
47



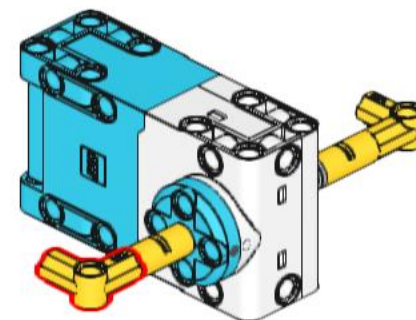
48



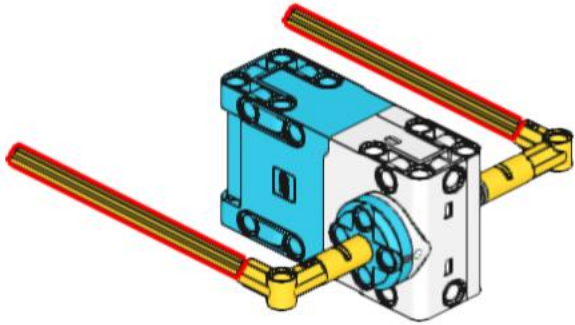
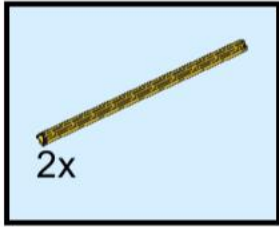
49



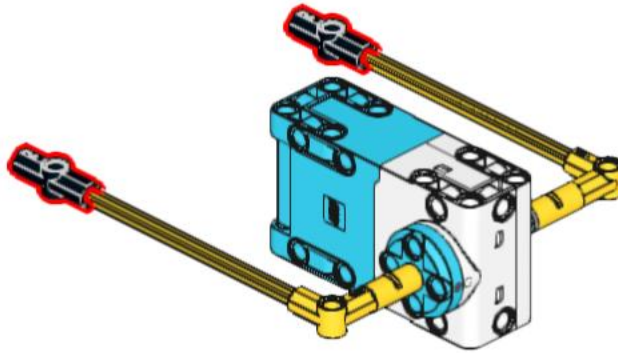
50



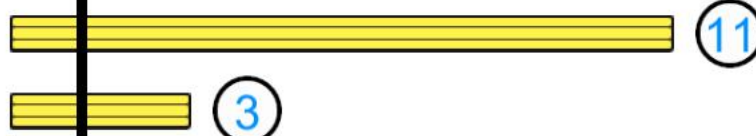
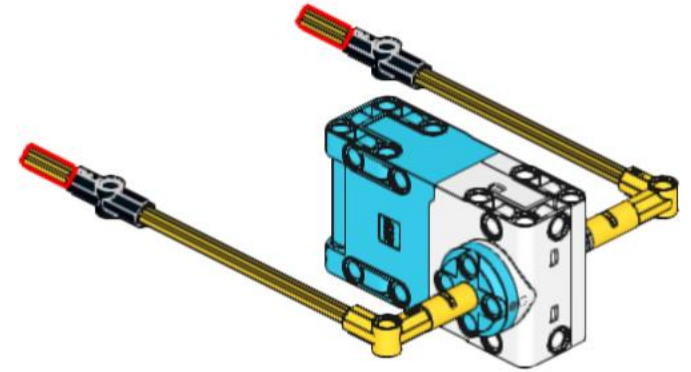
51



52

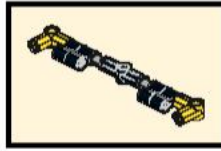


53

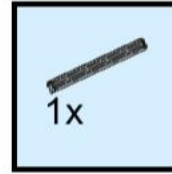


1:1

54



55



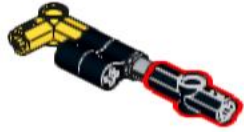
56



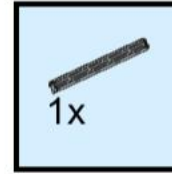
57



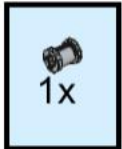
58



59



60



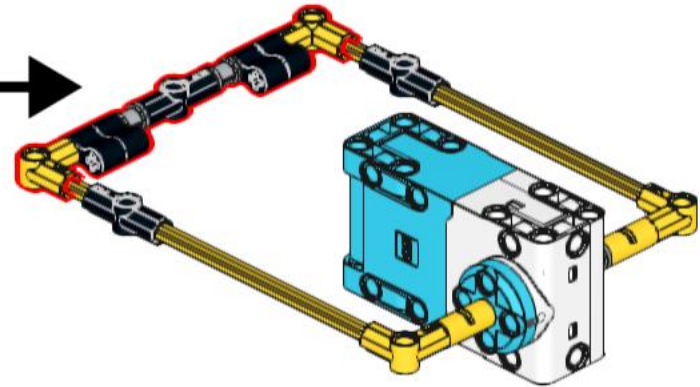
61



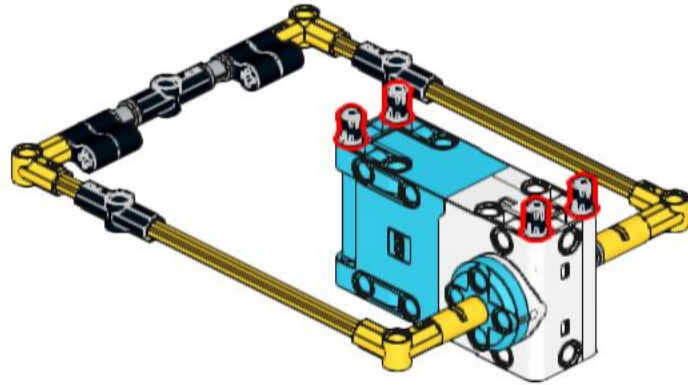
62



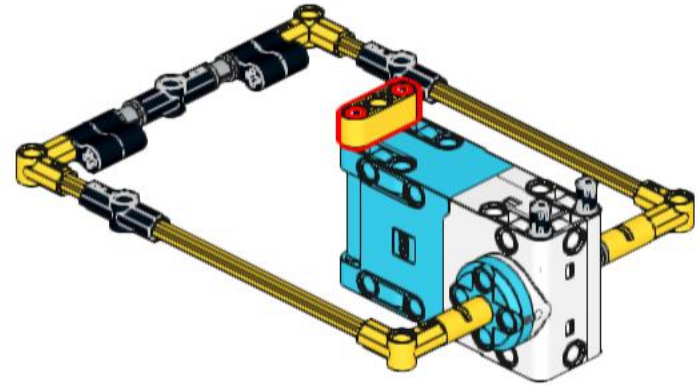
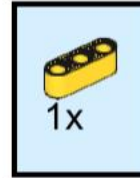
63



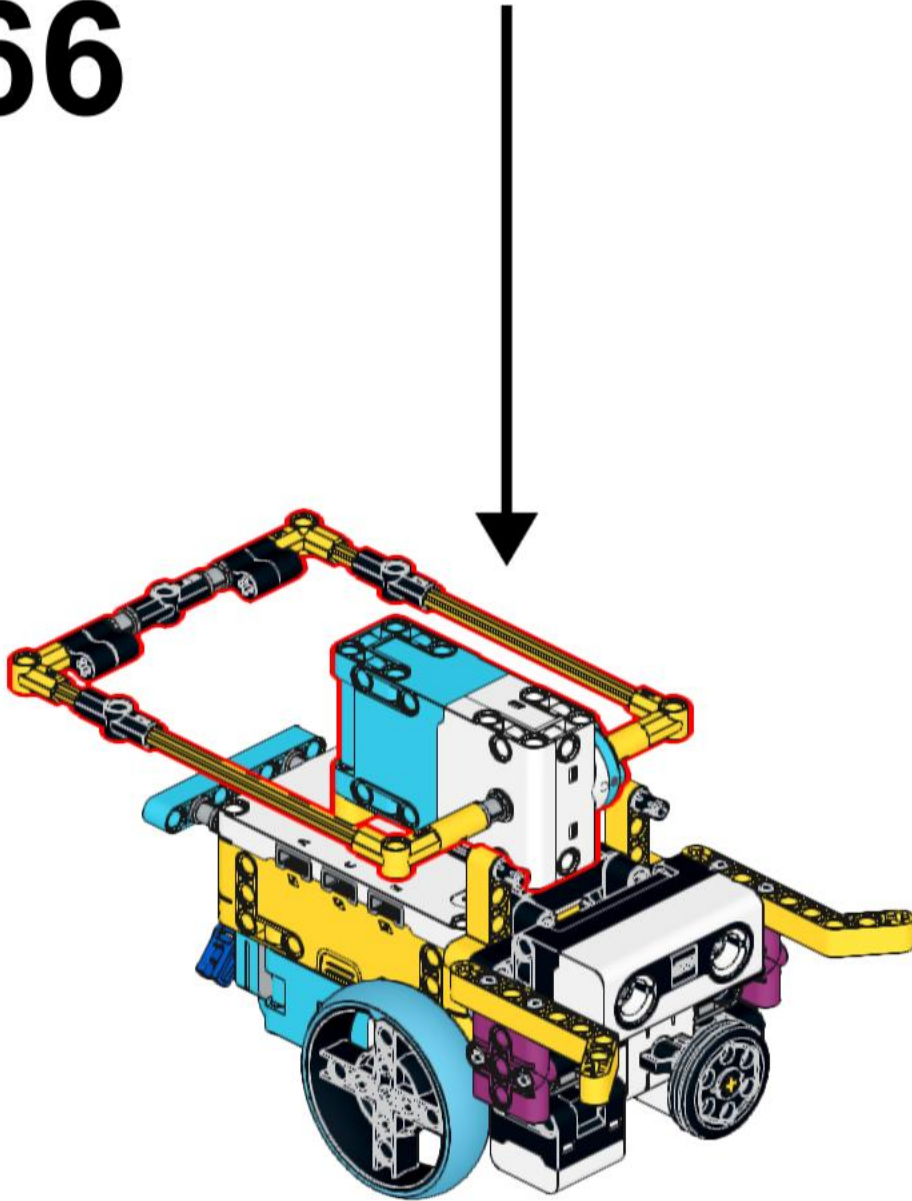
64



65



66



67

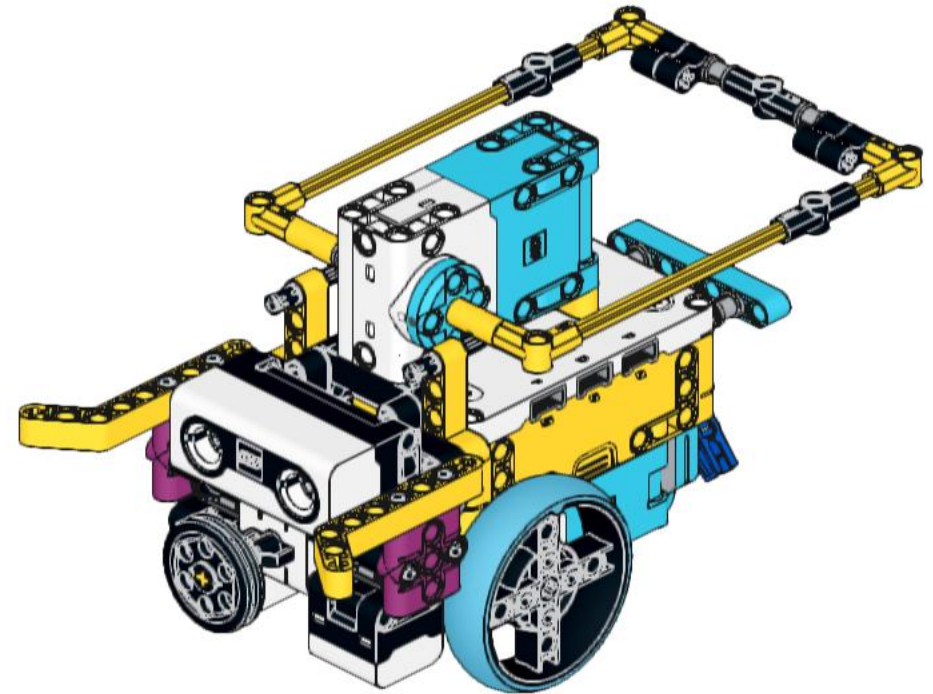
Original Designs by David Musgrave

<https://youtu.be/BkLnxJU3Mok?si=5iFXsRg6AF3kld7c>

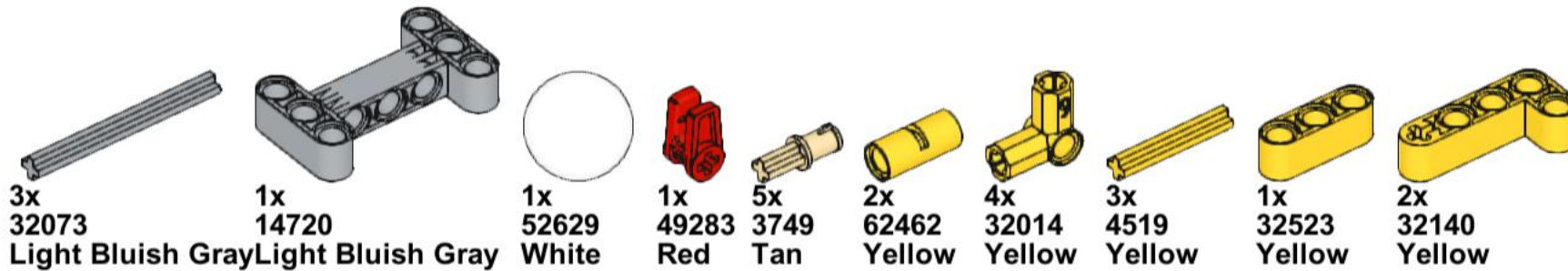
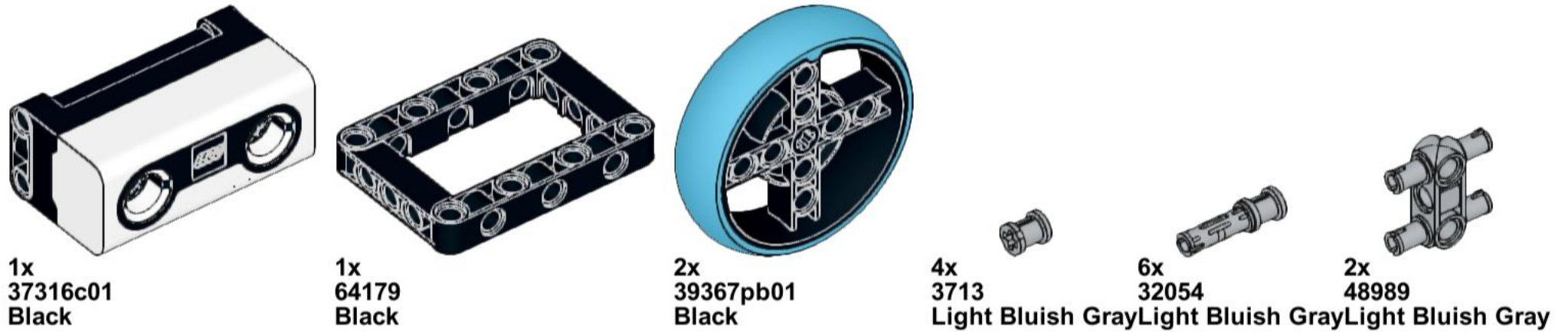
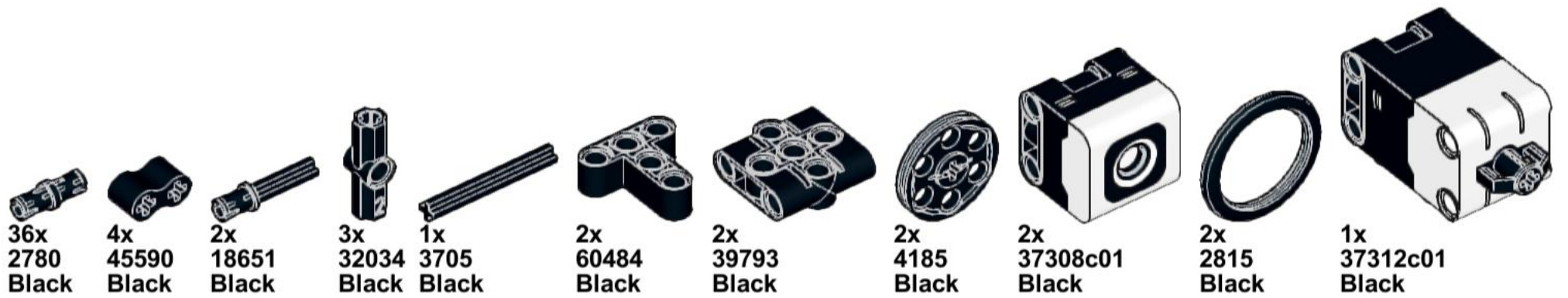
and

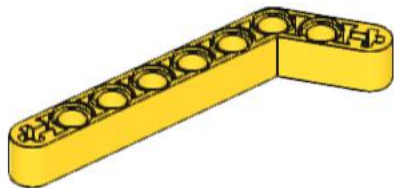
<https://youtu.be/jN1OID1IQLE?si=IUZbQWDJNLZ9yHoy>

Check videos for cable management



Note: this is an adaption of the Primary Line Robot. The Force Sensor is not used.

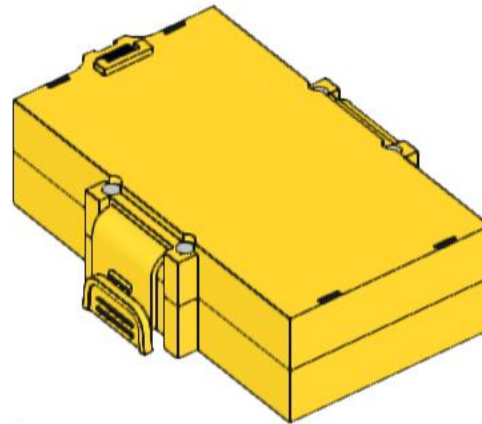




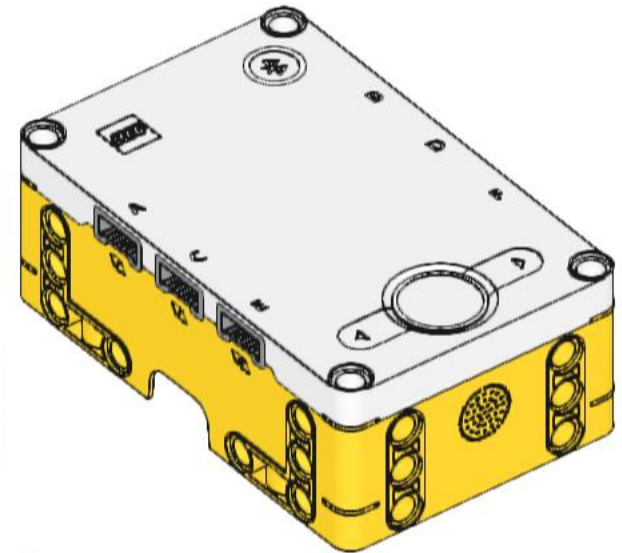
2x
32271
Yellow



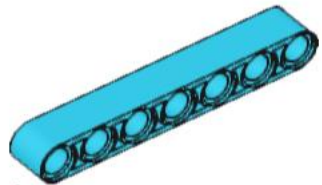
2x
23948
Yellow



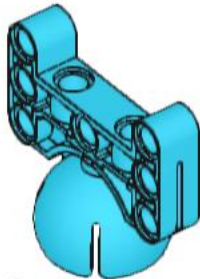
1x
55422c01
Yellow



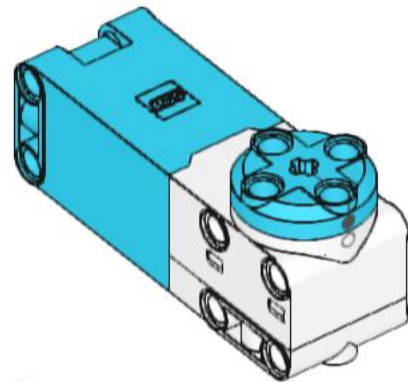
1x
bb1142c01
Yellow



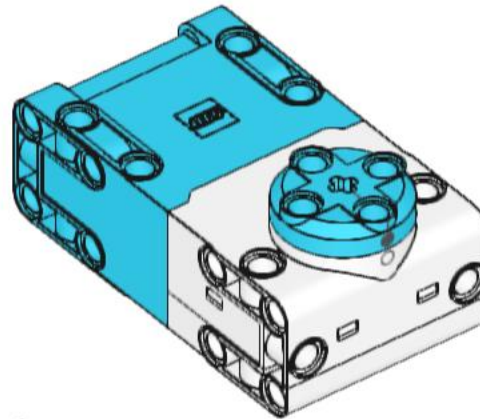
1x
32524
Medium Azure



1x
39370
Medium Azure



2x
54696c01
Medium Azure



1x
54675c01
Medium Azure



2x
49283
Blue



8x
6558
Blue



2x
39793
Magenta