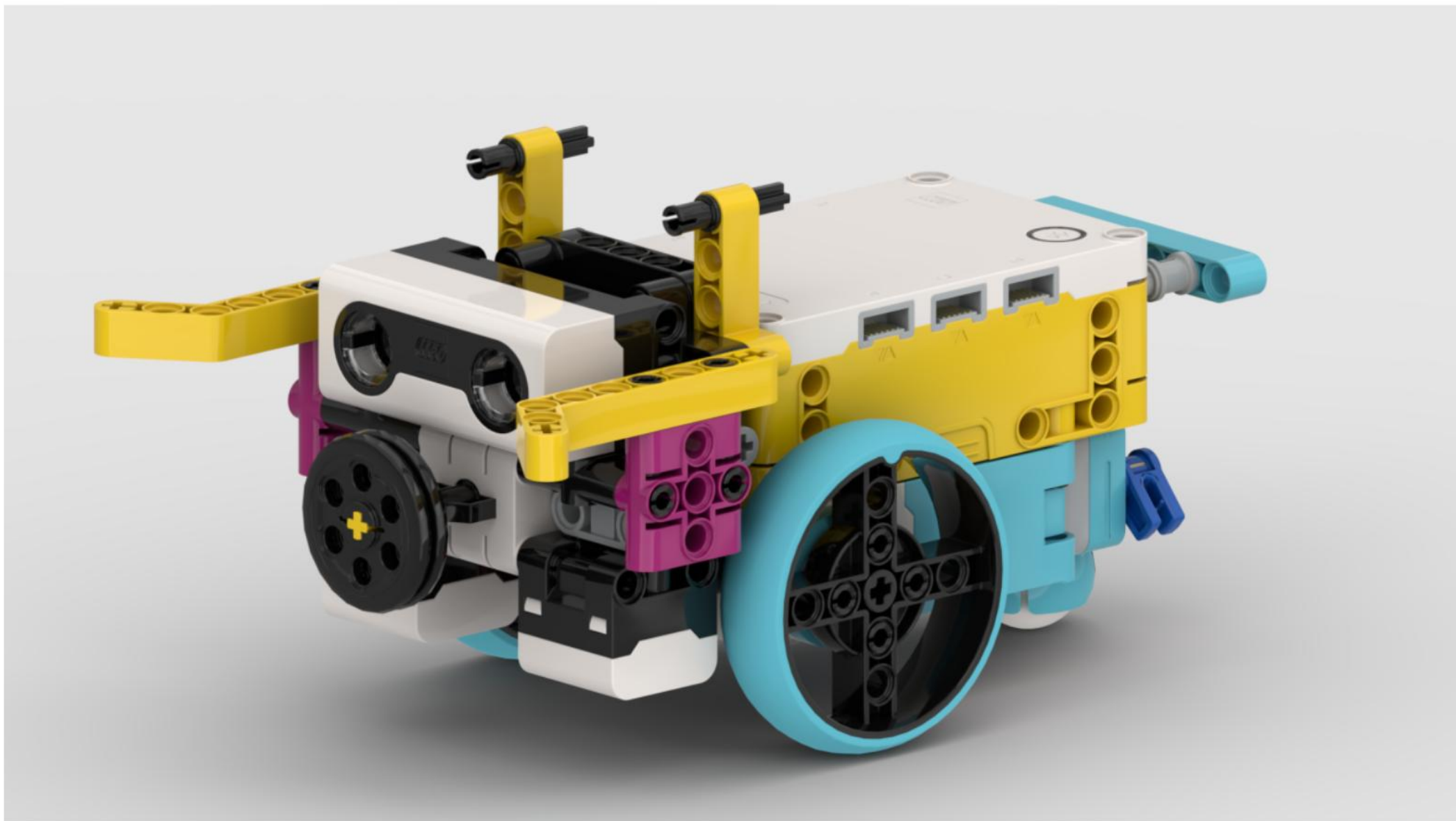
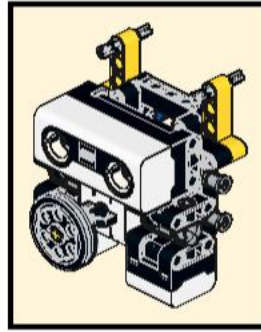
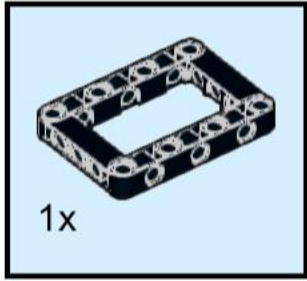


Spike Primary Line Rescue

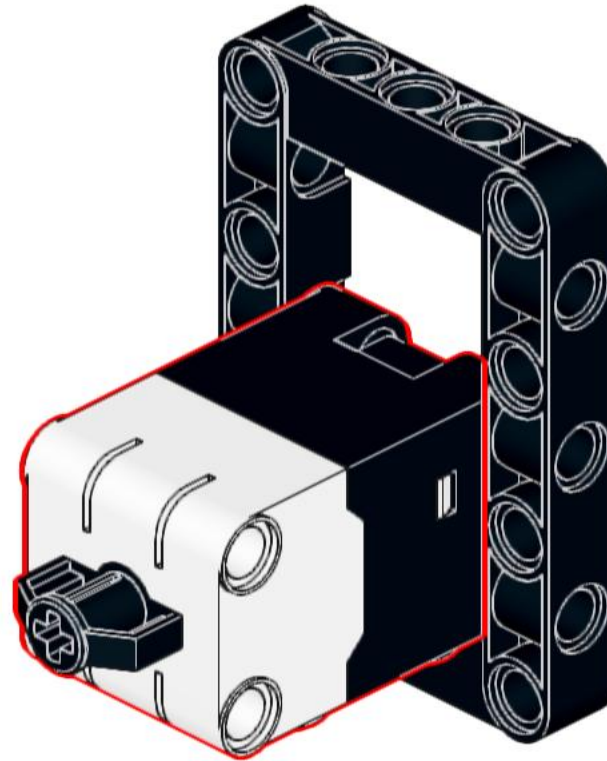
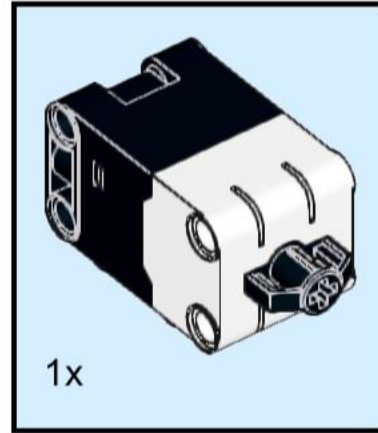
Robot Build Instructions



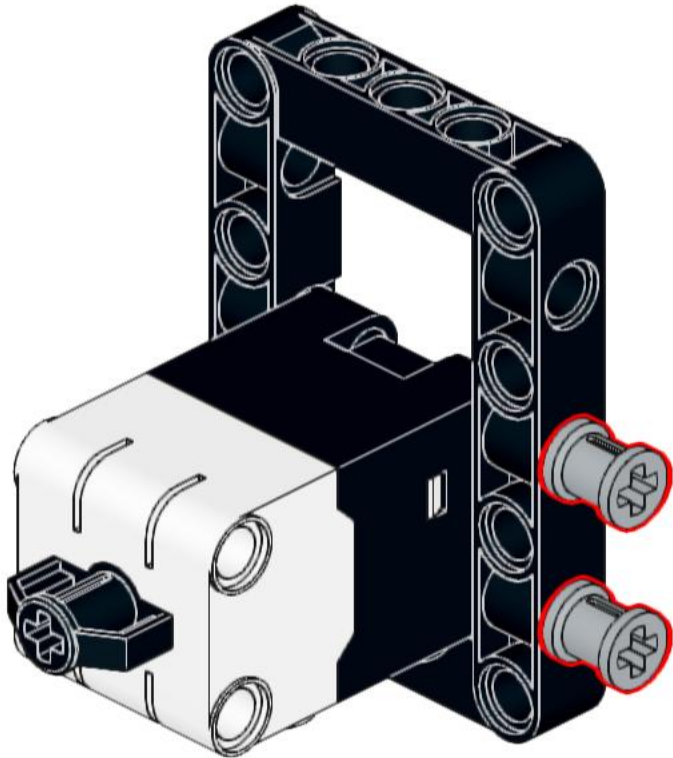
1



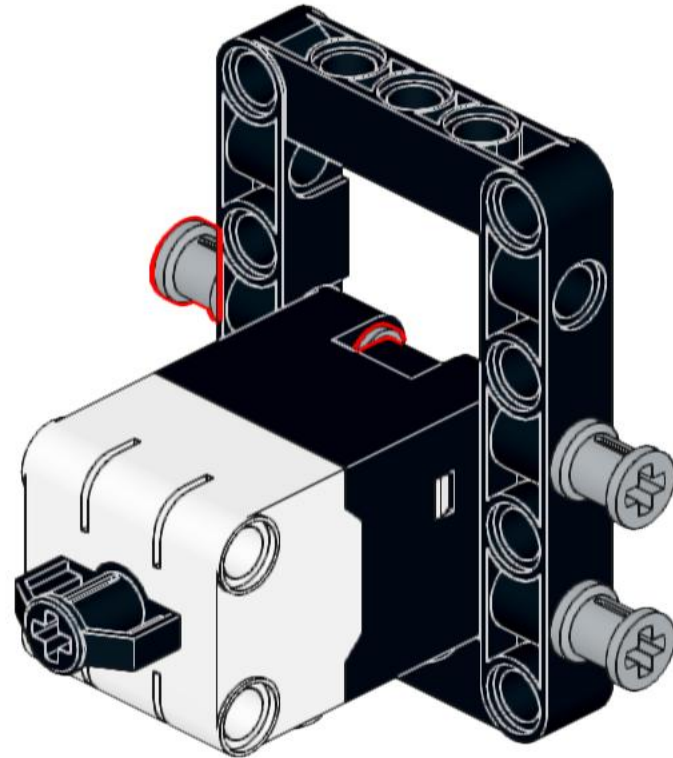
2



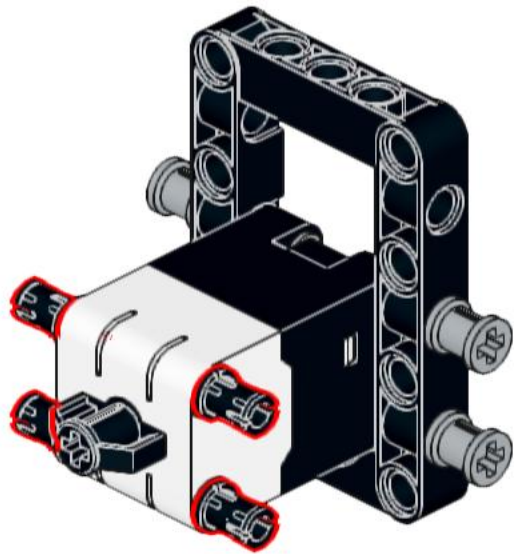
3



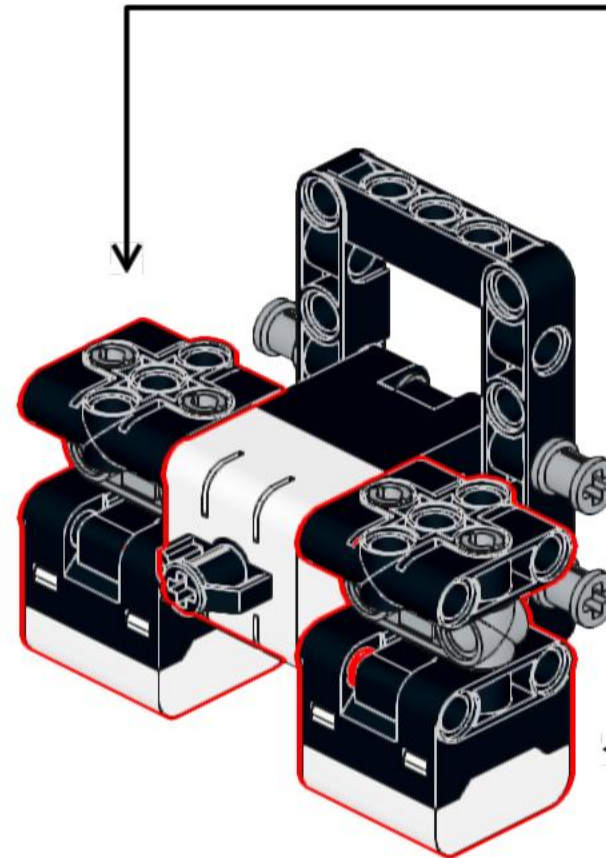
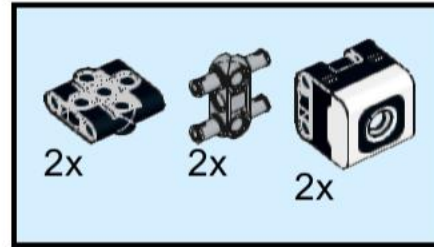
4



5



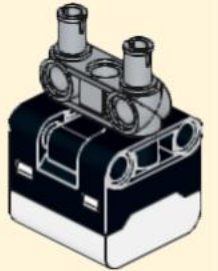
6



1



2

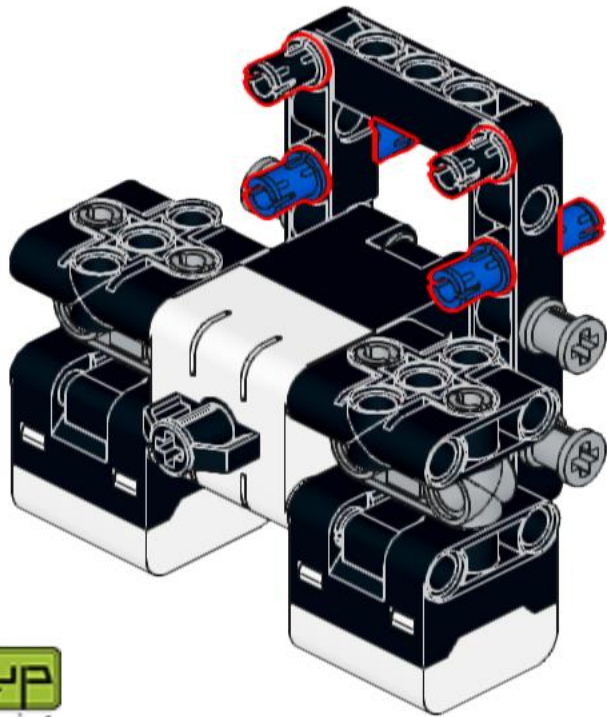
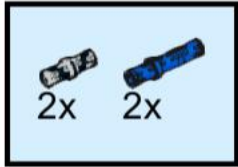


3

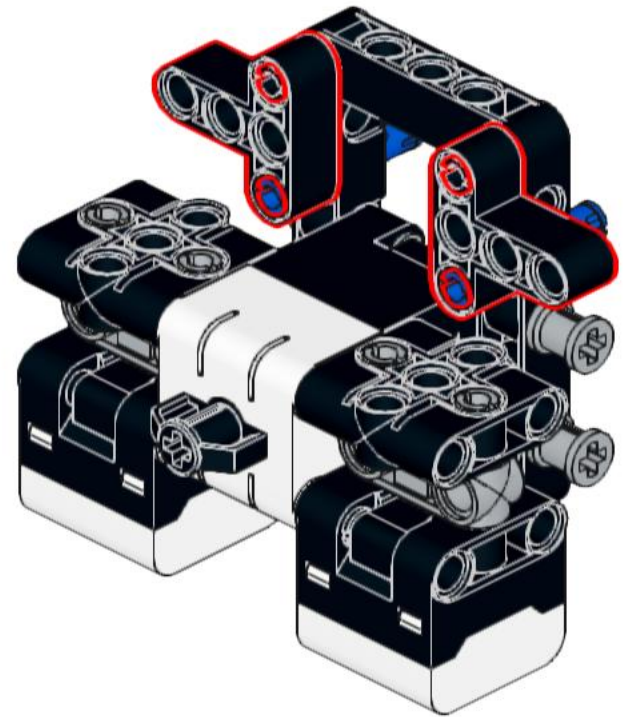


2x

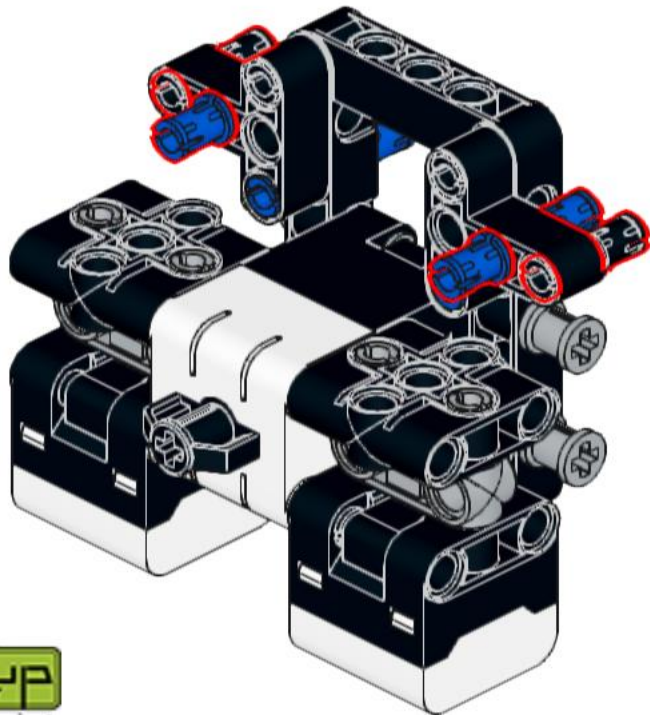
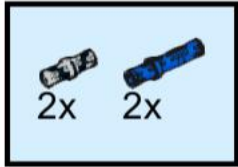
7



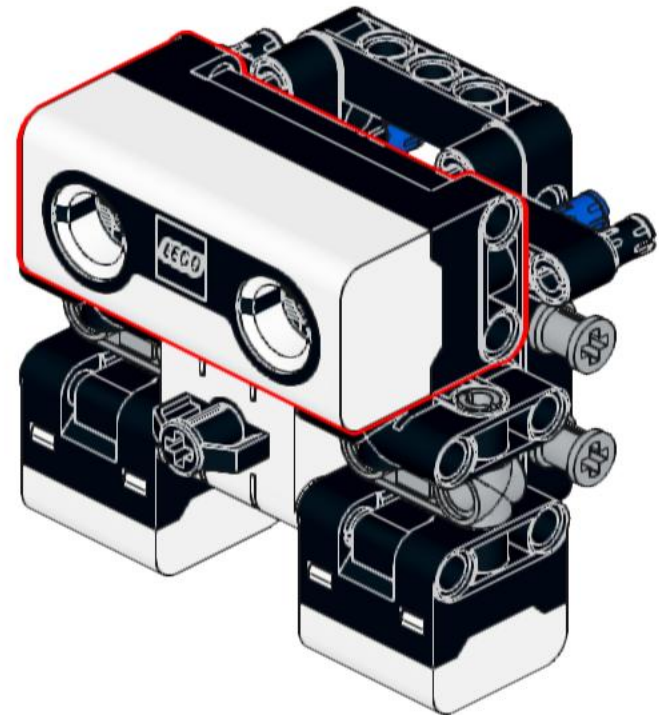
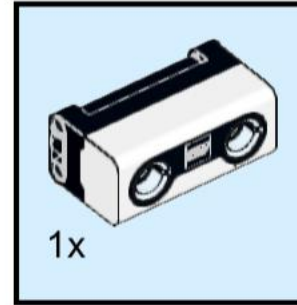
8



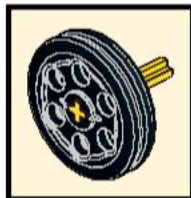
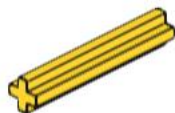
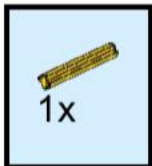
9



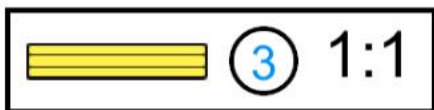
10



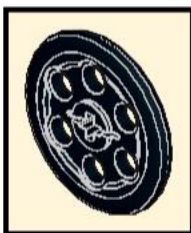
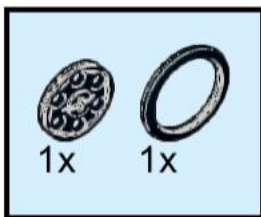
11



12



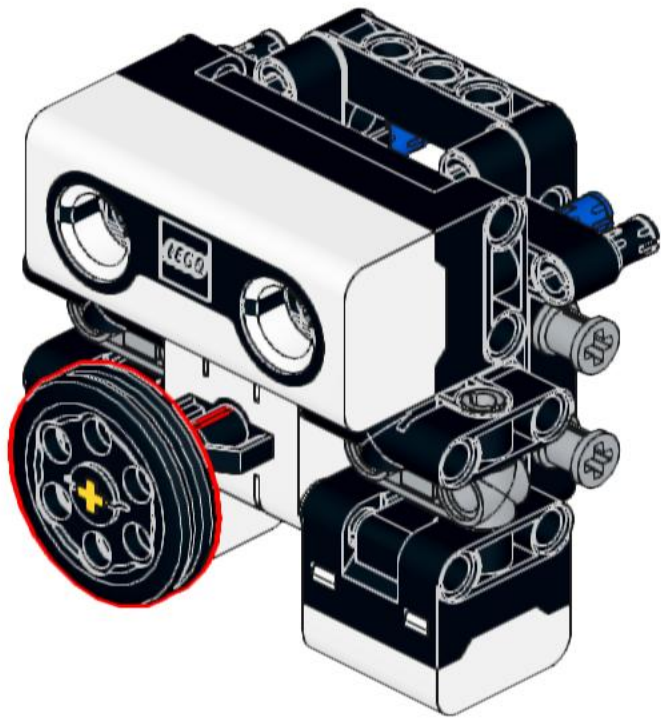
13



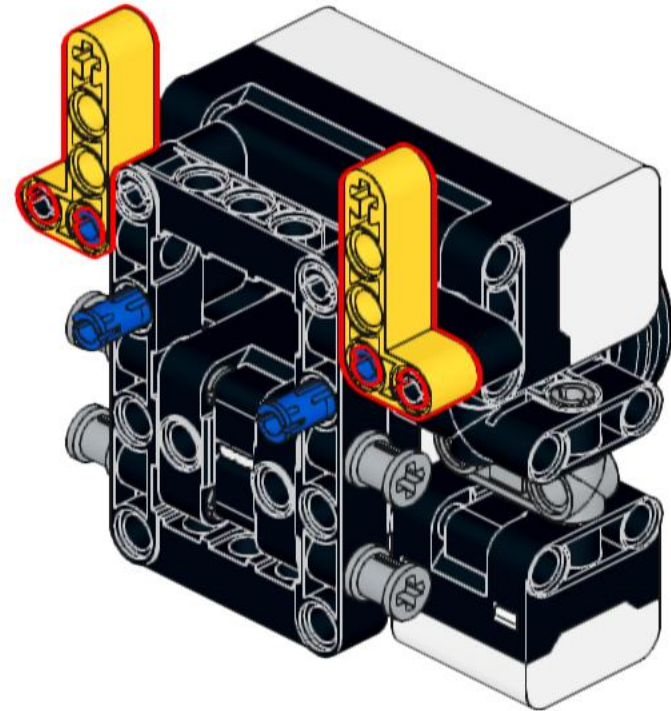
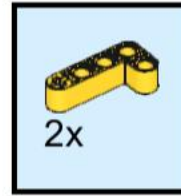
14



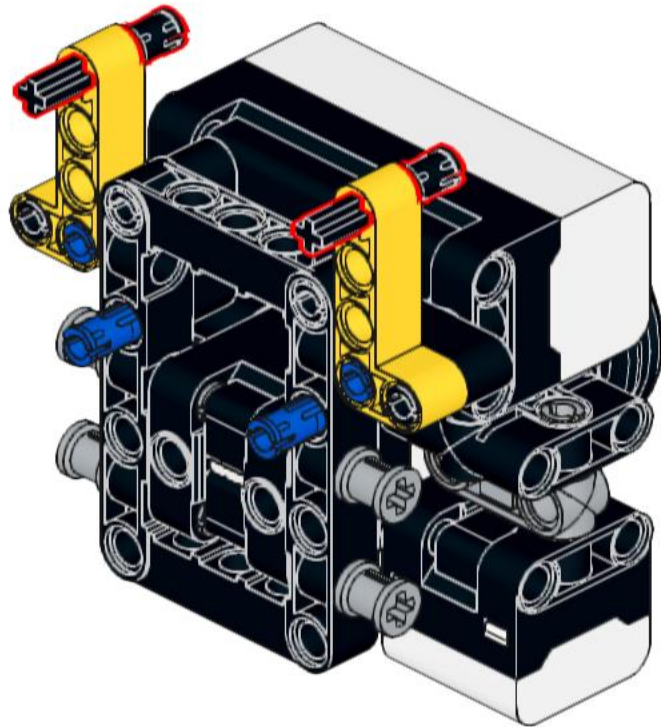
15



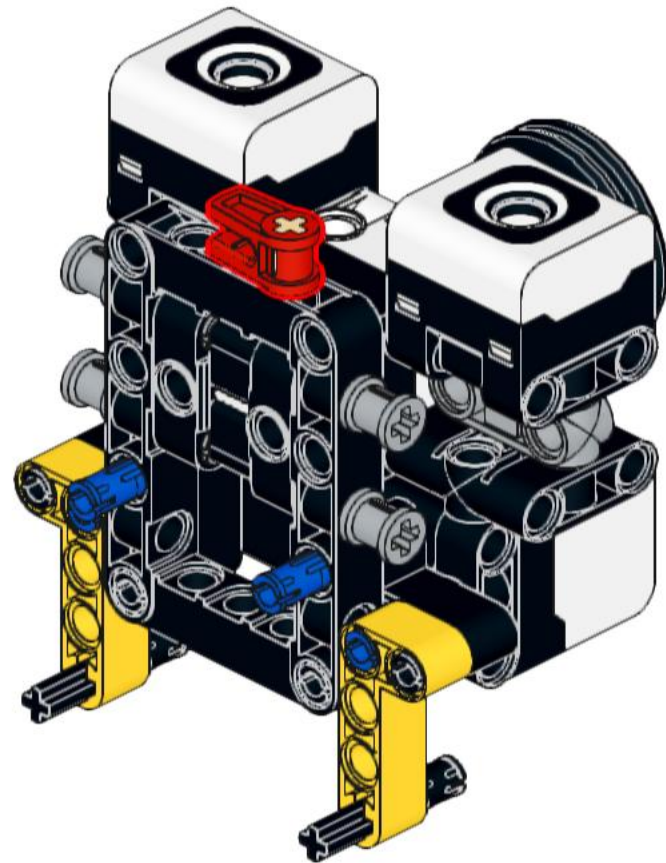
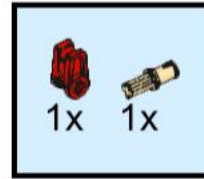
16



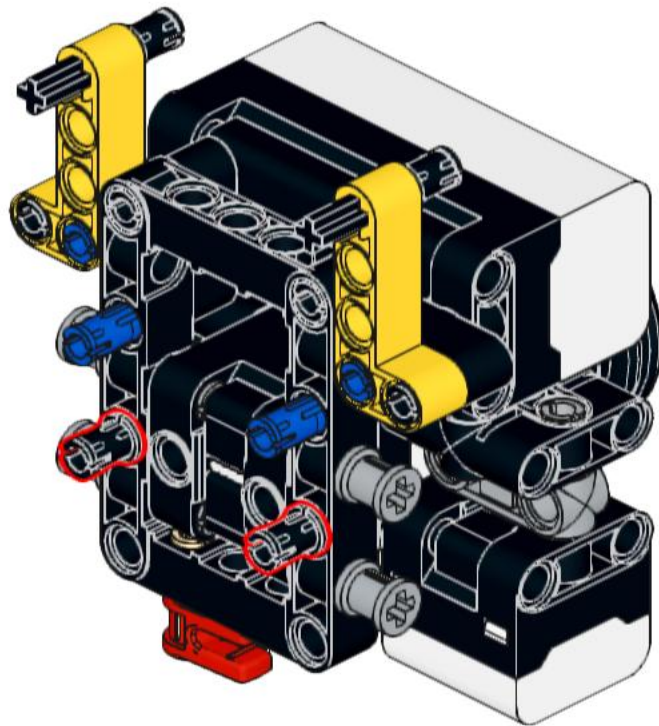
17



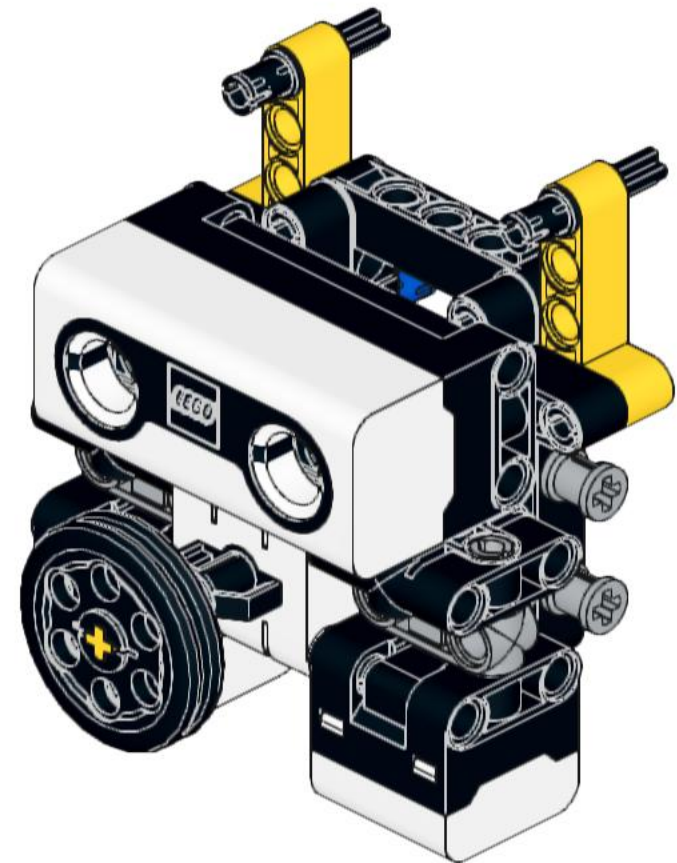
18



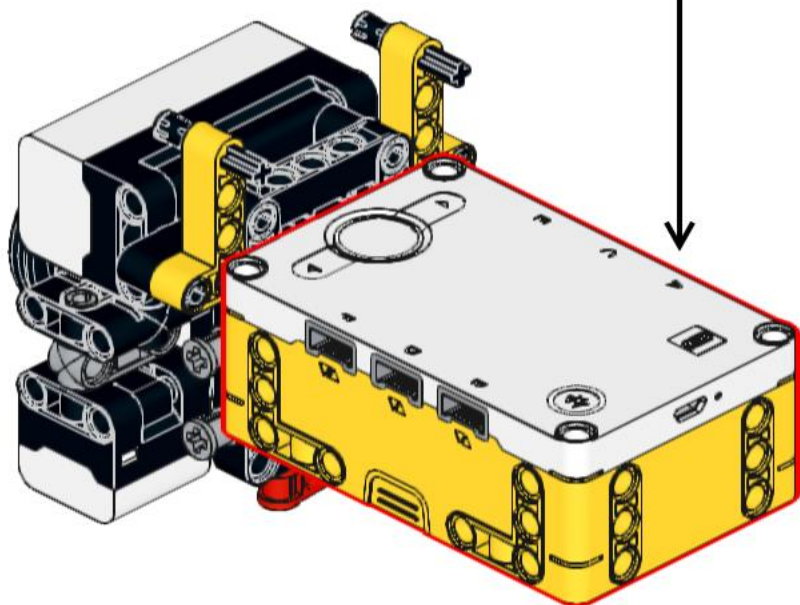
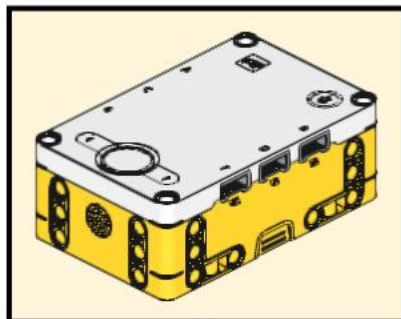
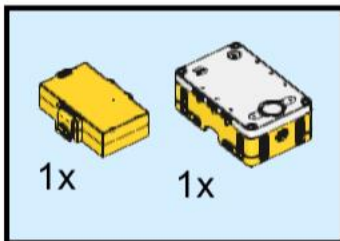
19



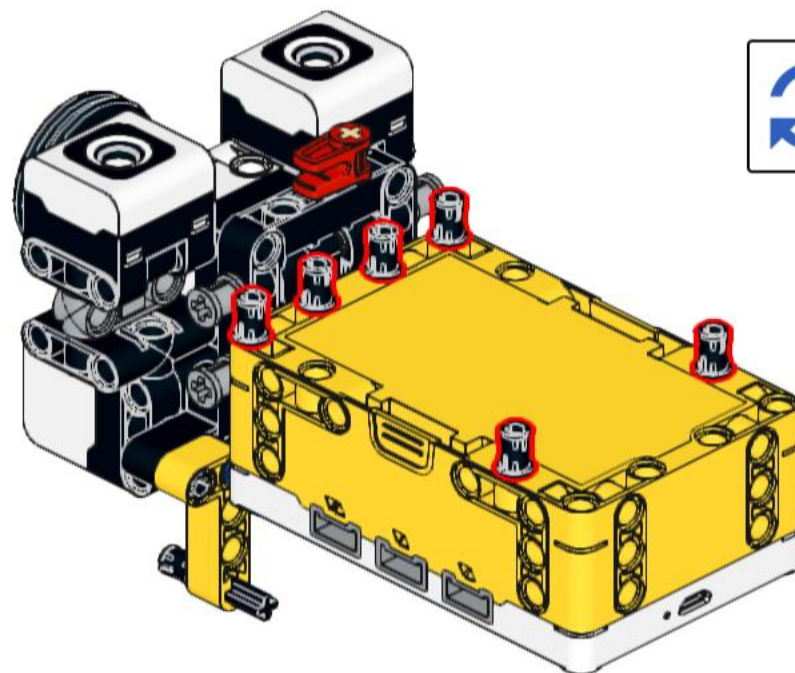
20



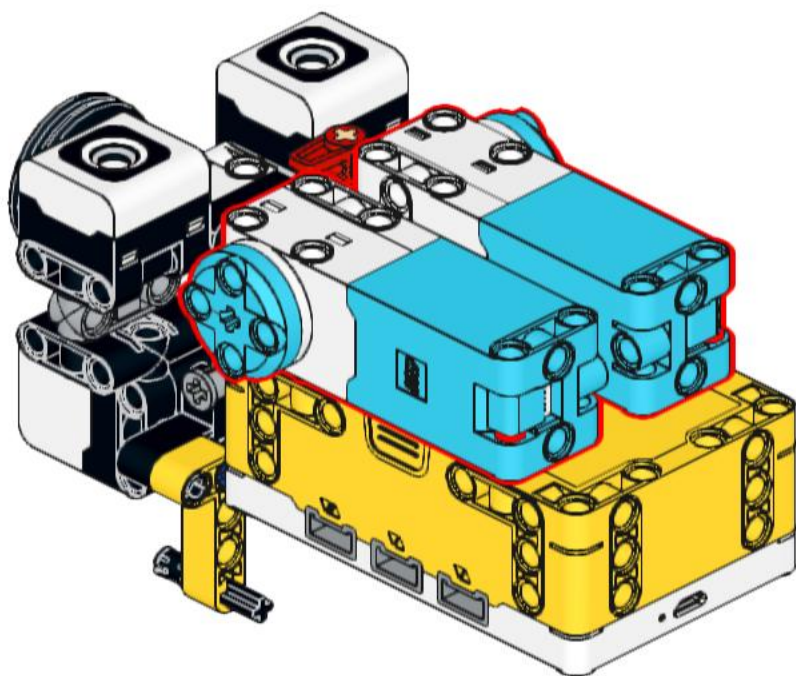
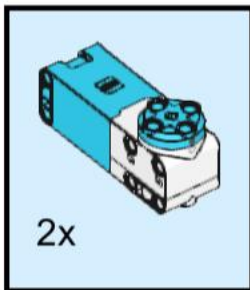
21



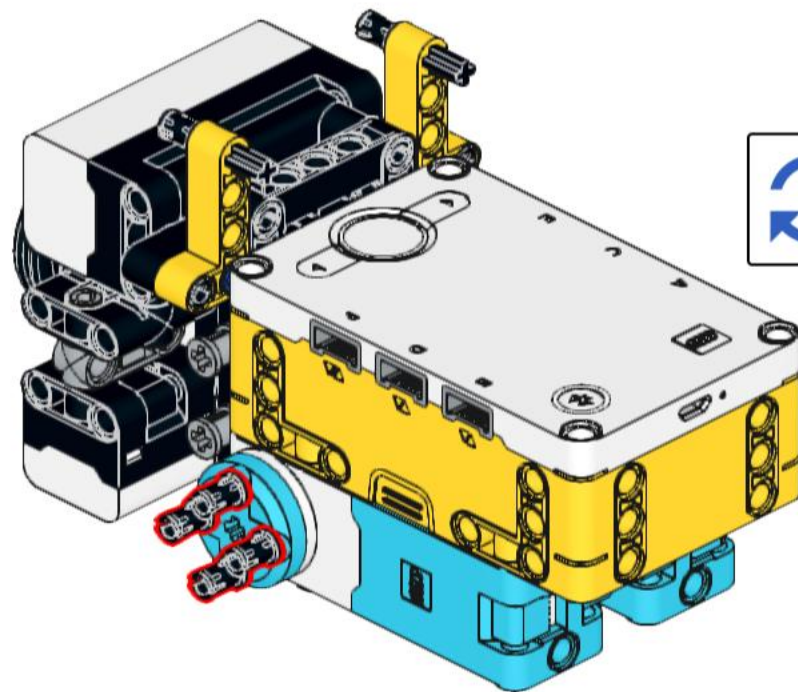
22



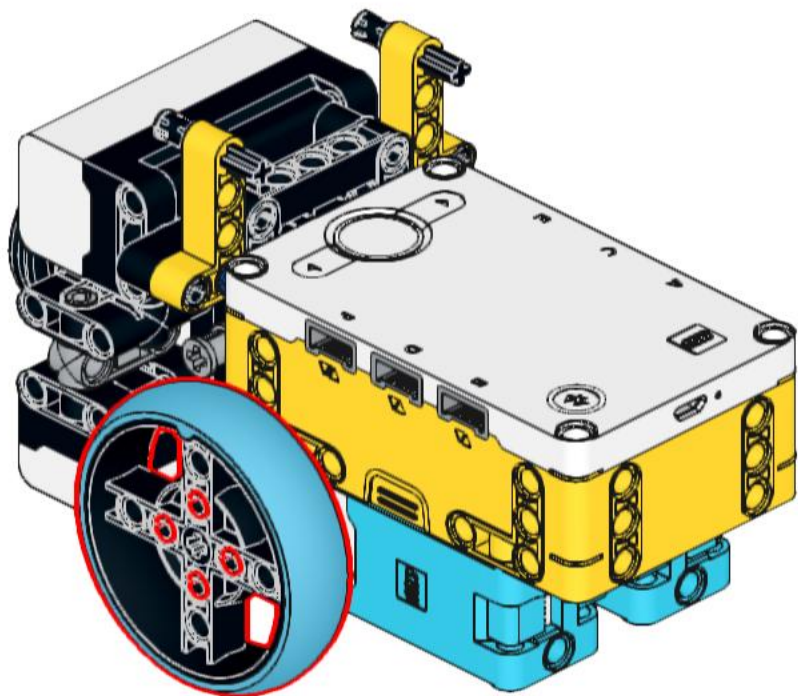
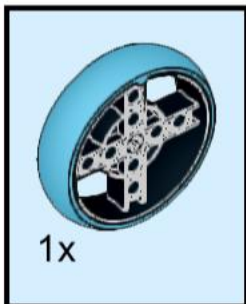
23



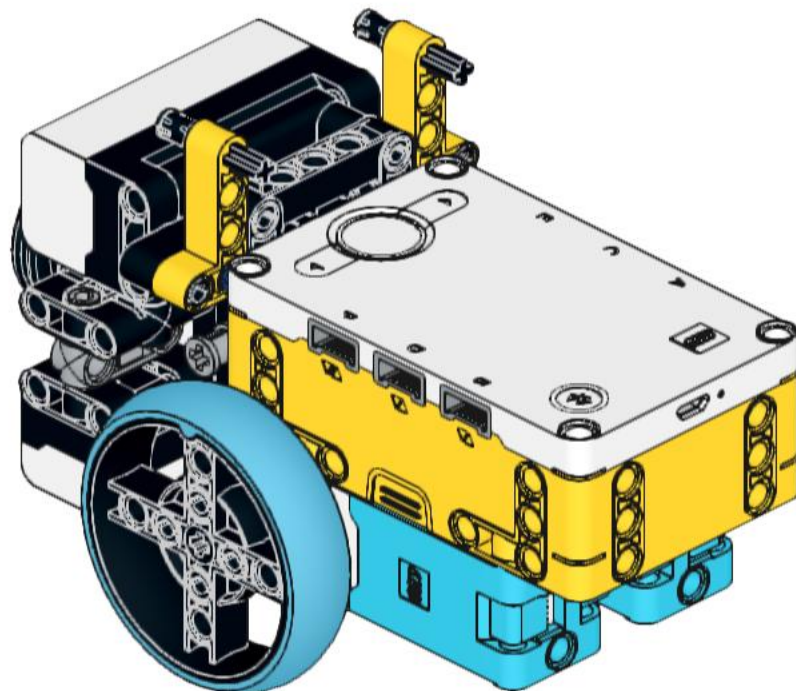
24



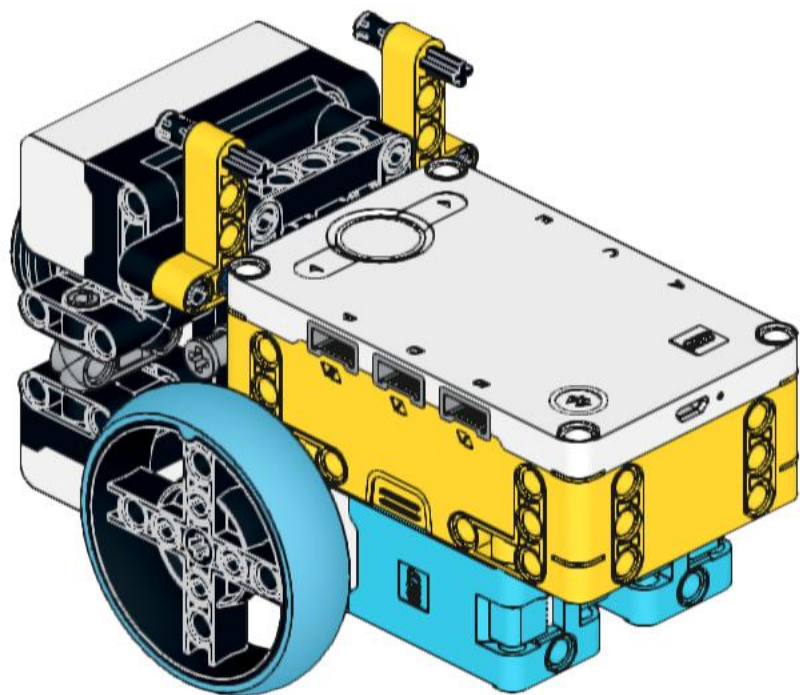
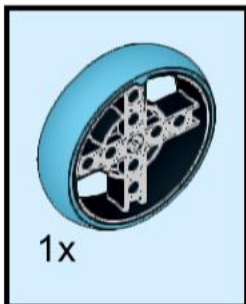
25



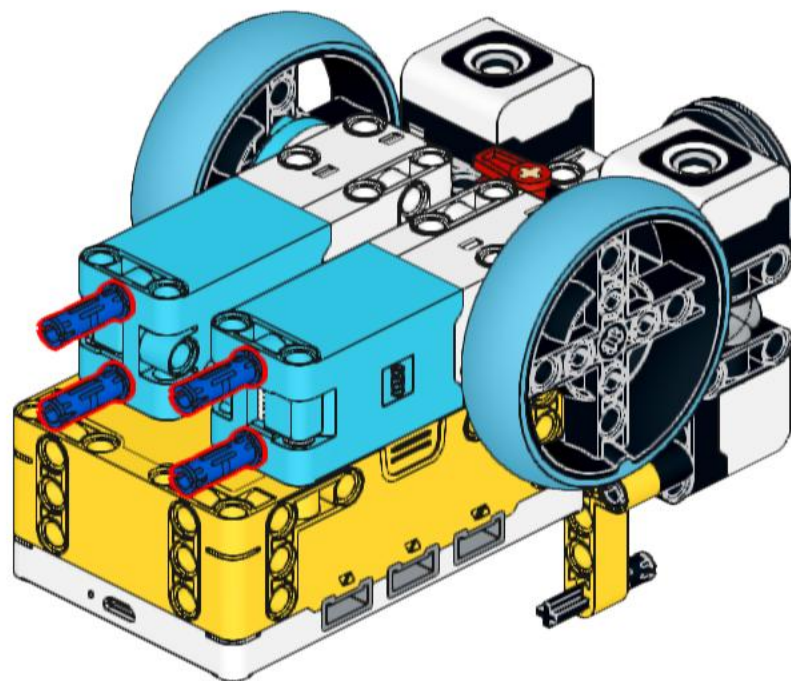
26



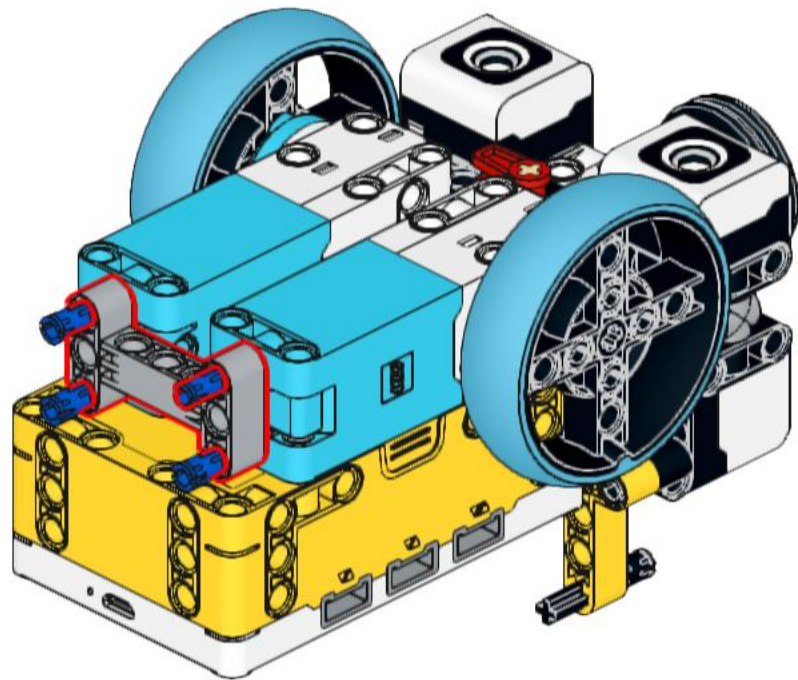
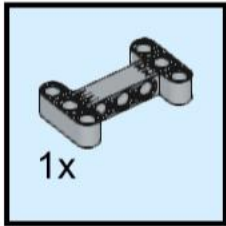
27



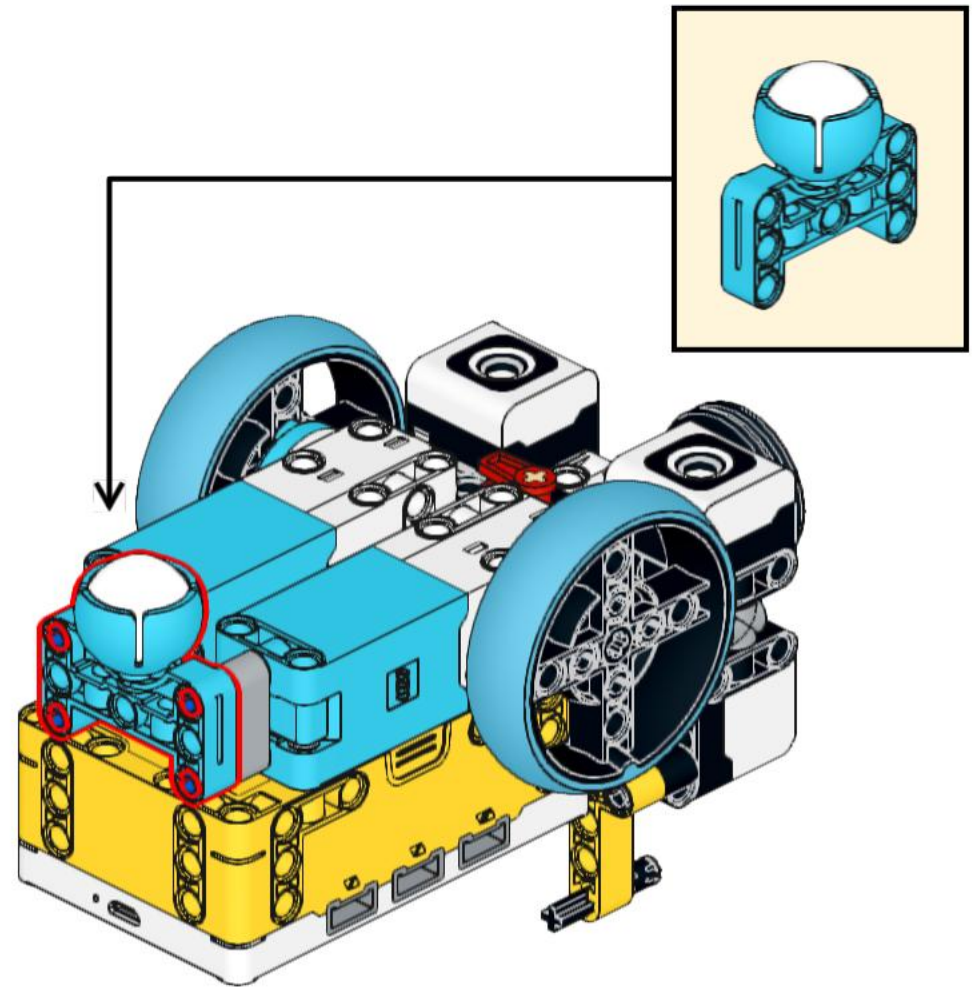
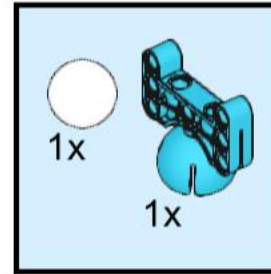
28



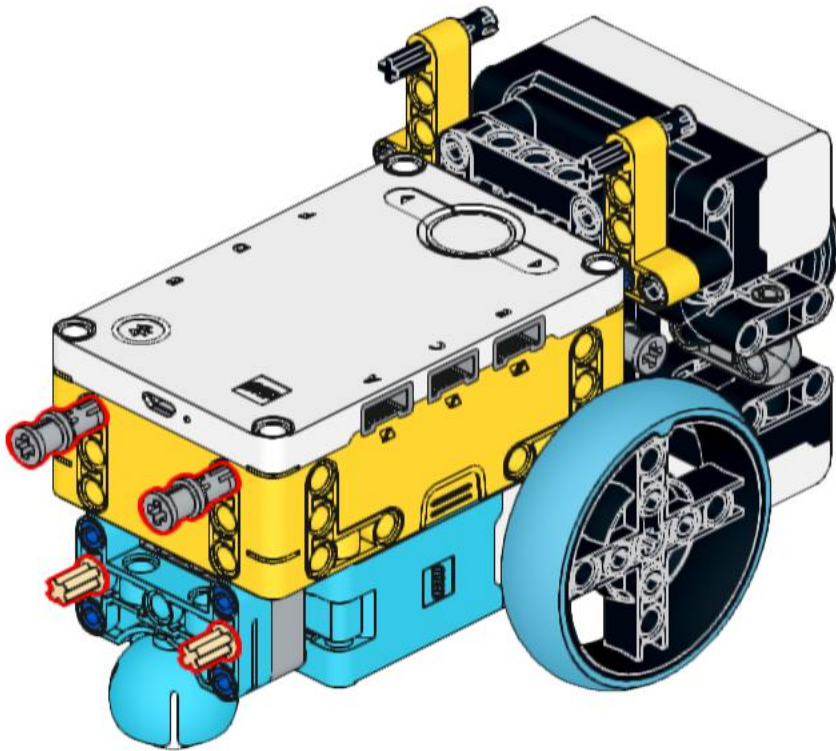
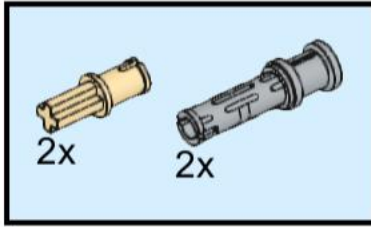
29



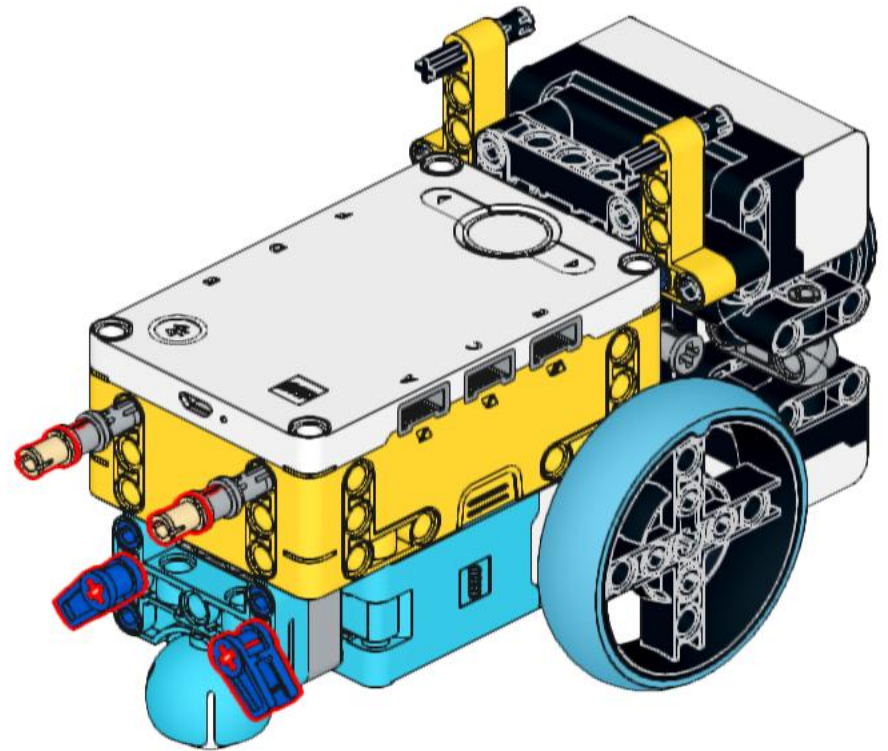
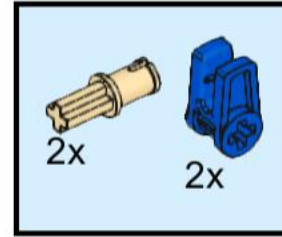
30



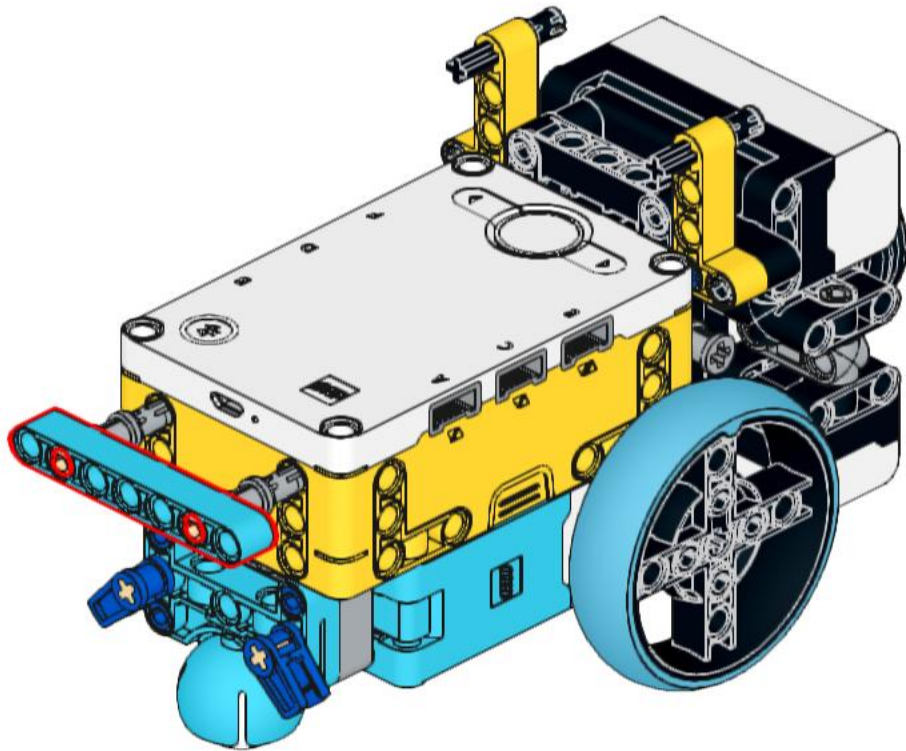
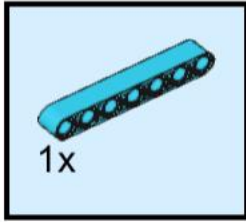
31



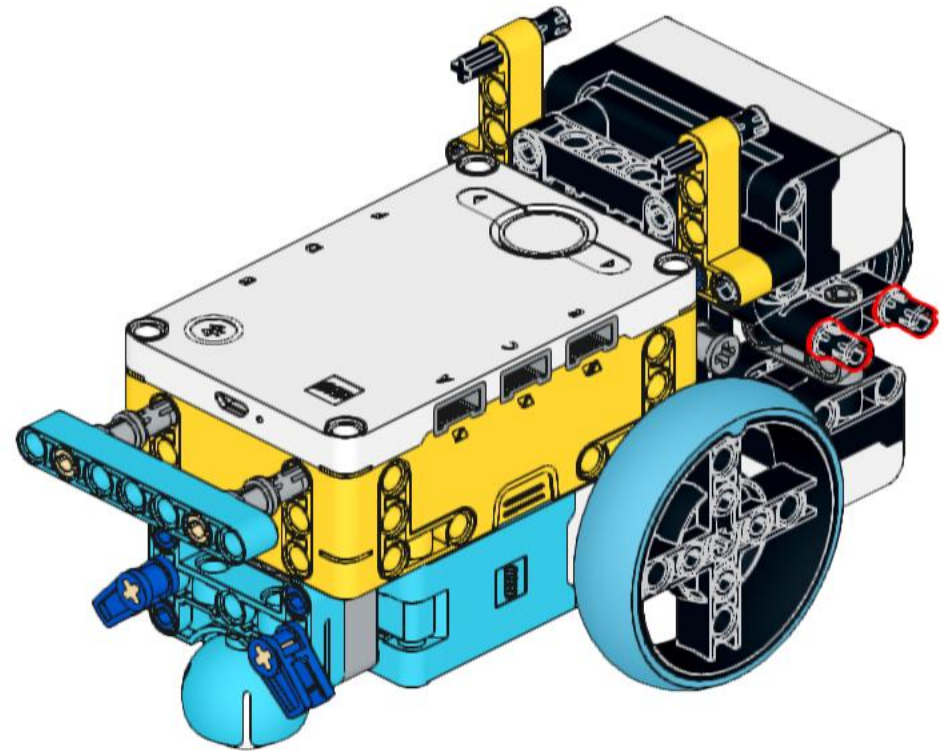
32



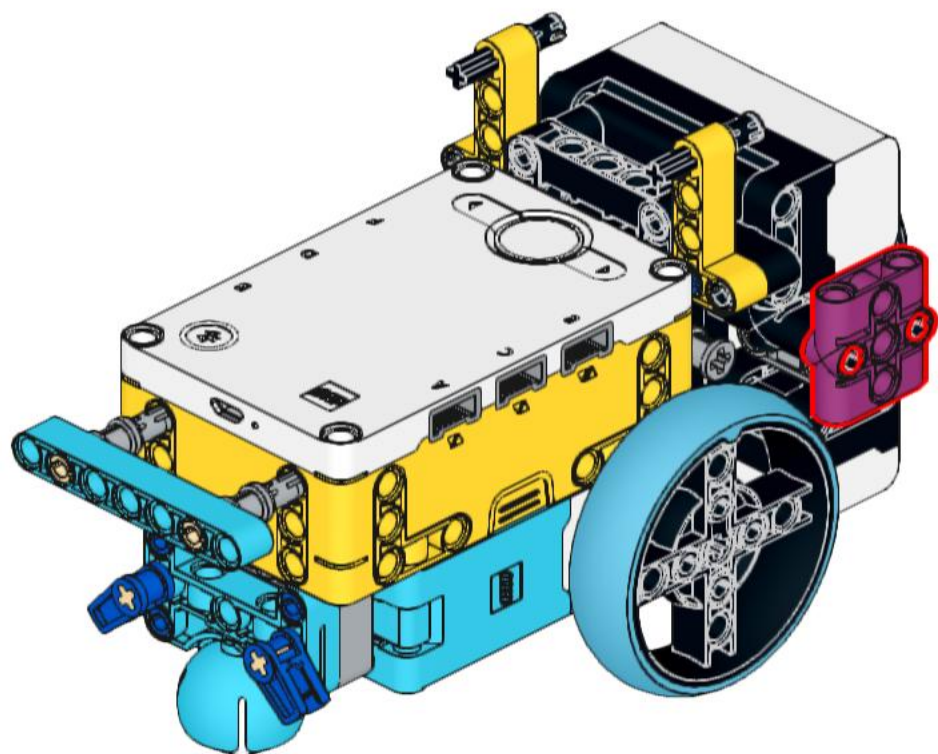
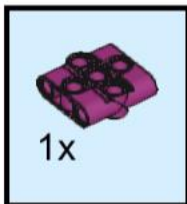
33



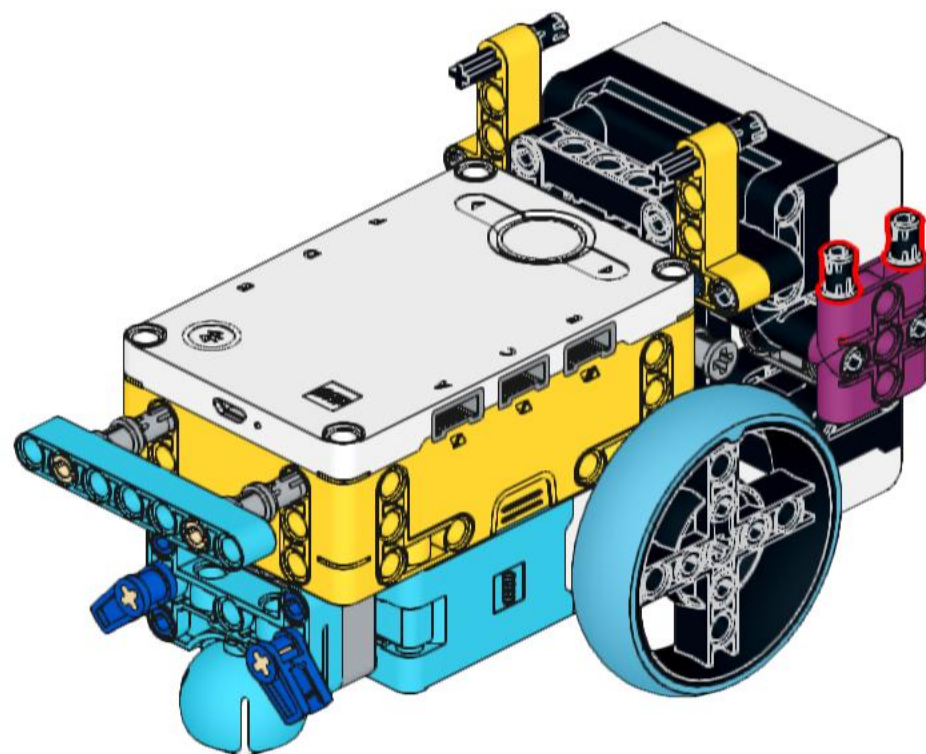
34



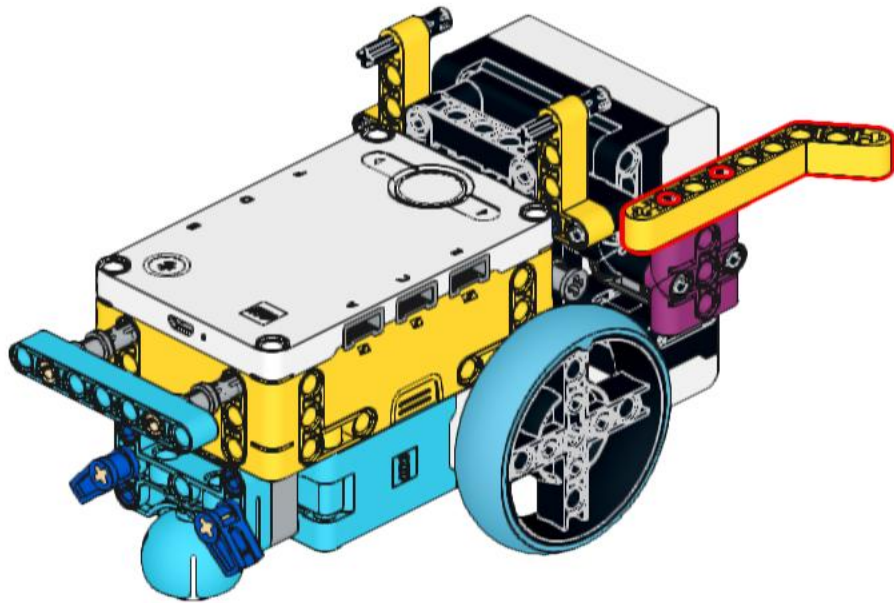
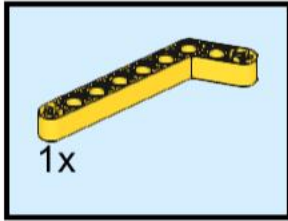
35



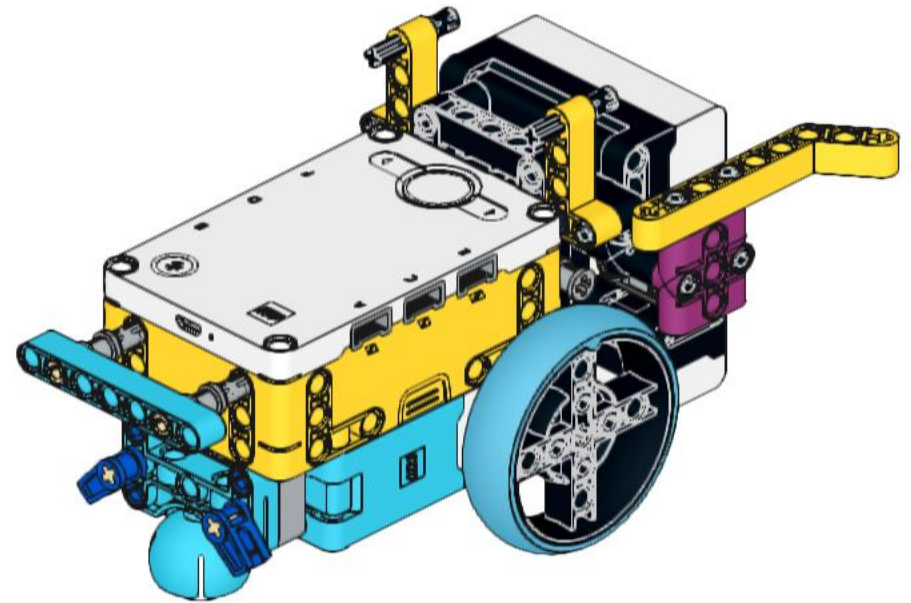
36



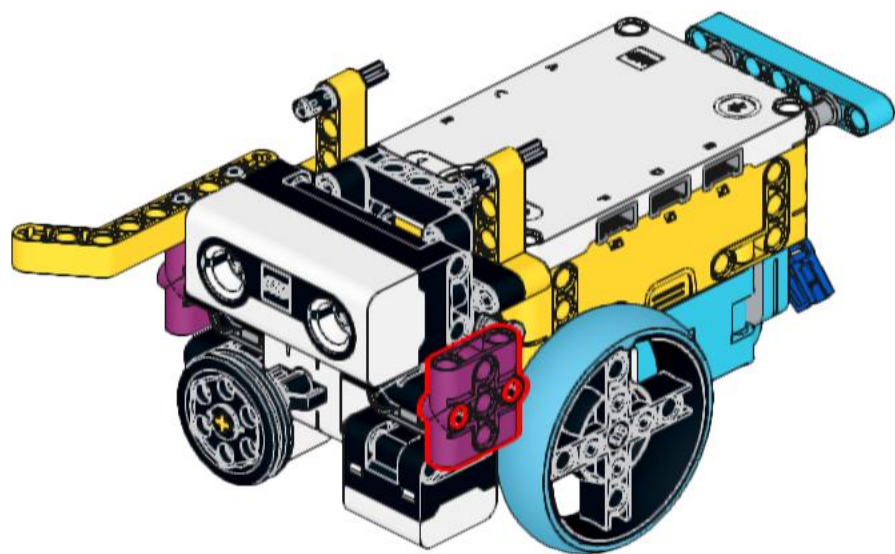
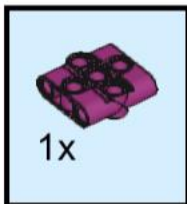
37



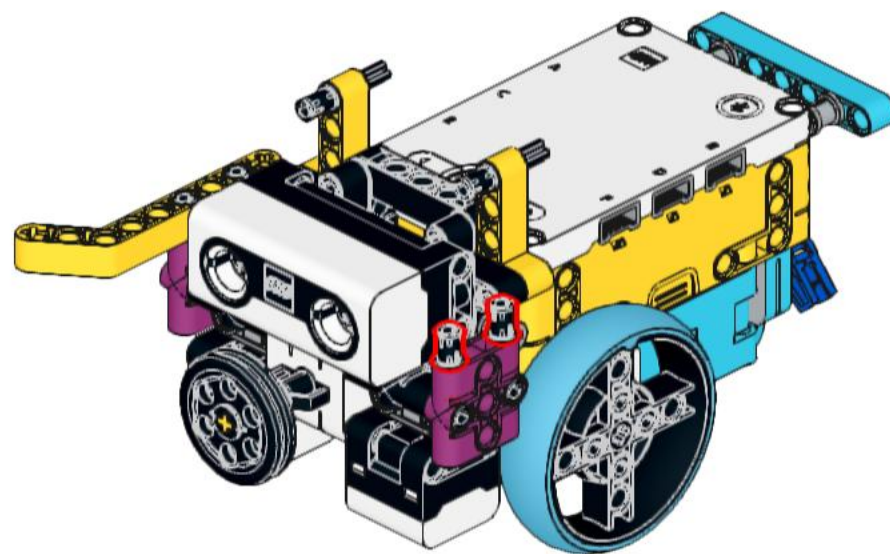
38



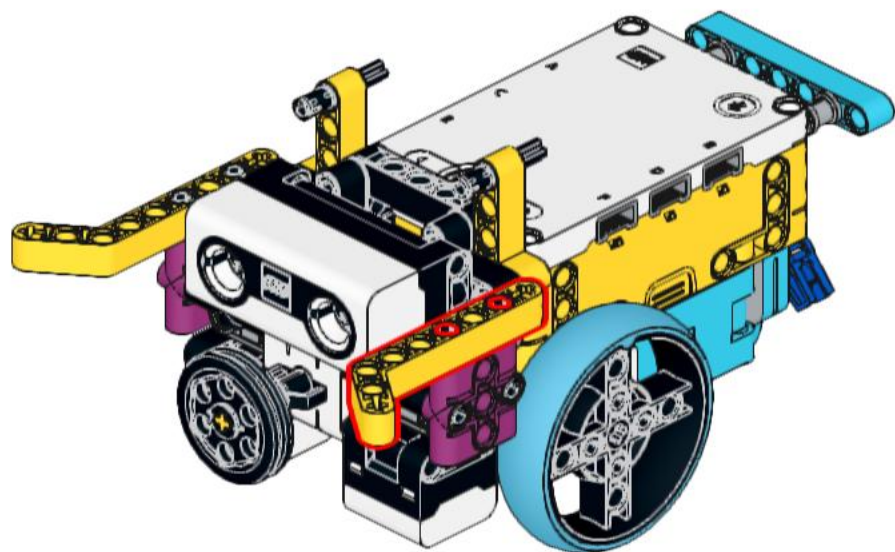
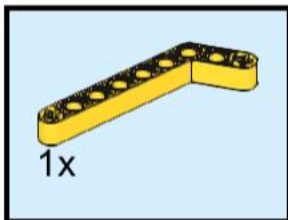
39



40



41



42

Original design by David Masgrave

<https://youtu.be/BkLnxJU3Mok?si=3kCn9P1Ki2I2VN7g>

Check video for cable management instructions

