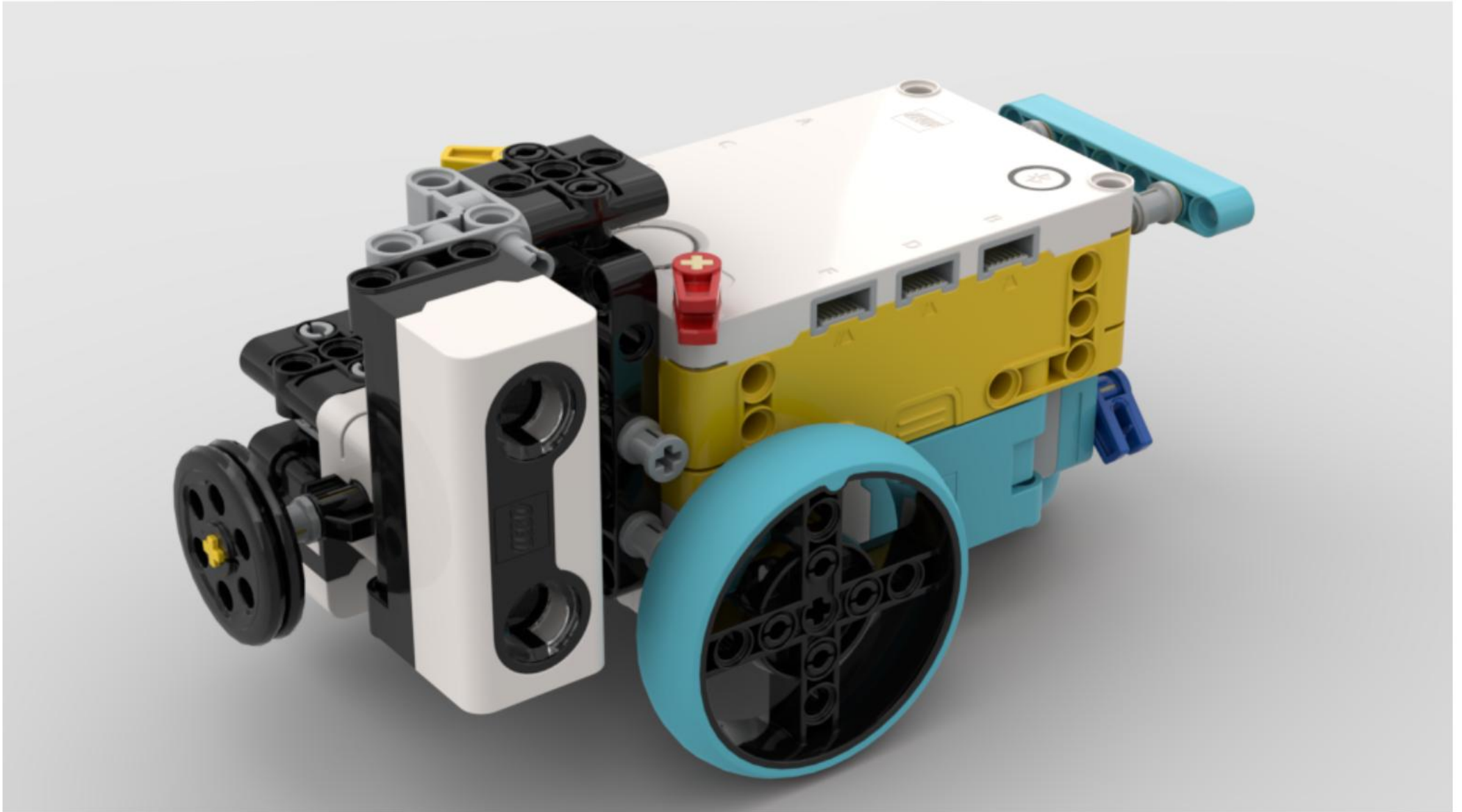
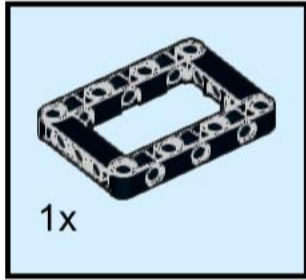
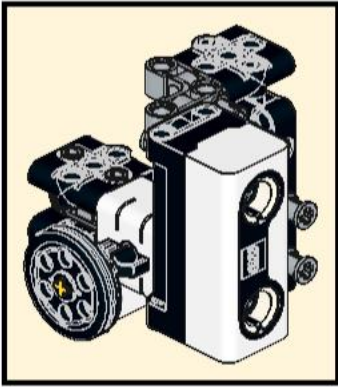


Spike Maze Rescue

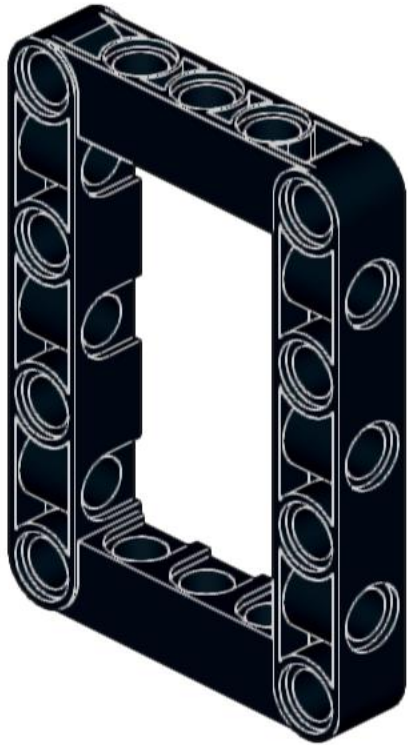
Robot Build Instructions



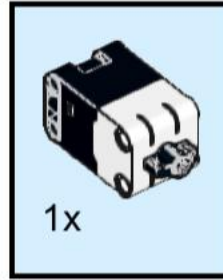
1



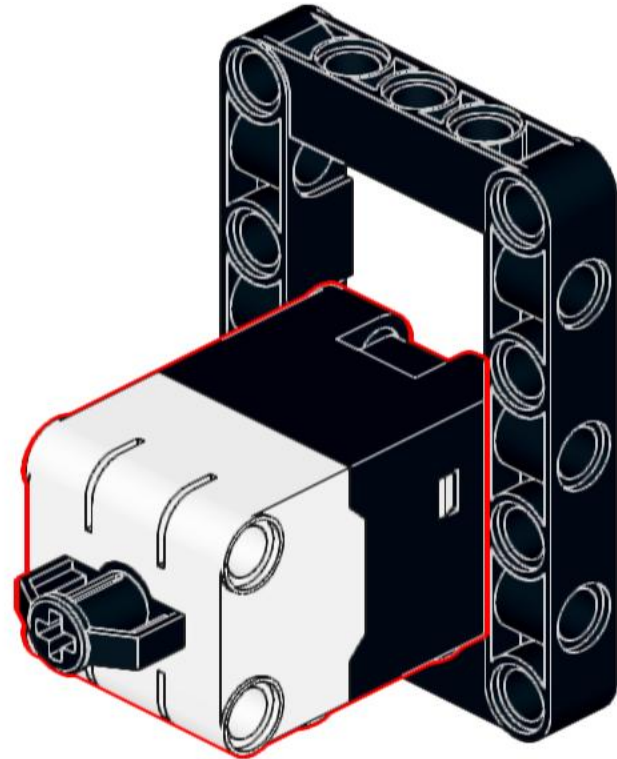
1x



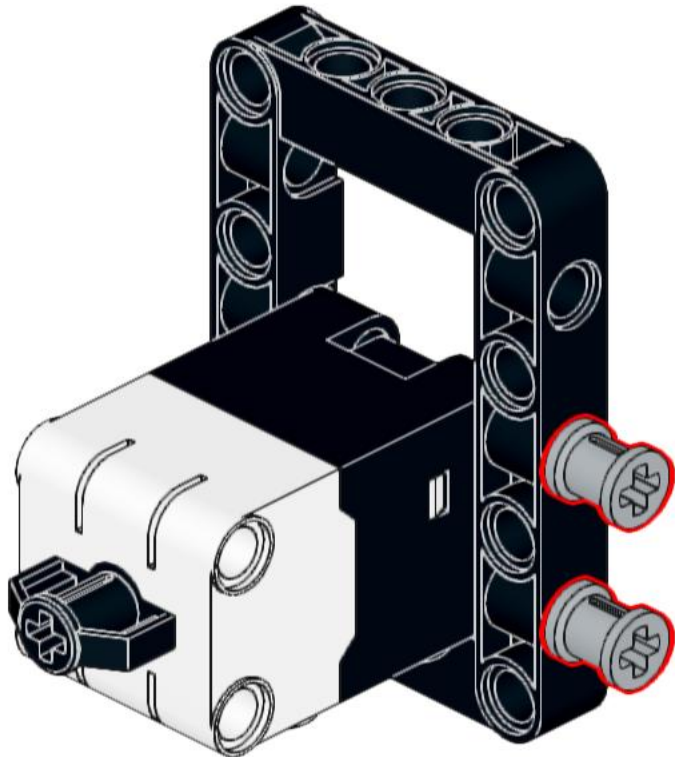
2



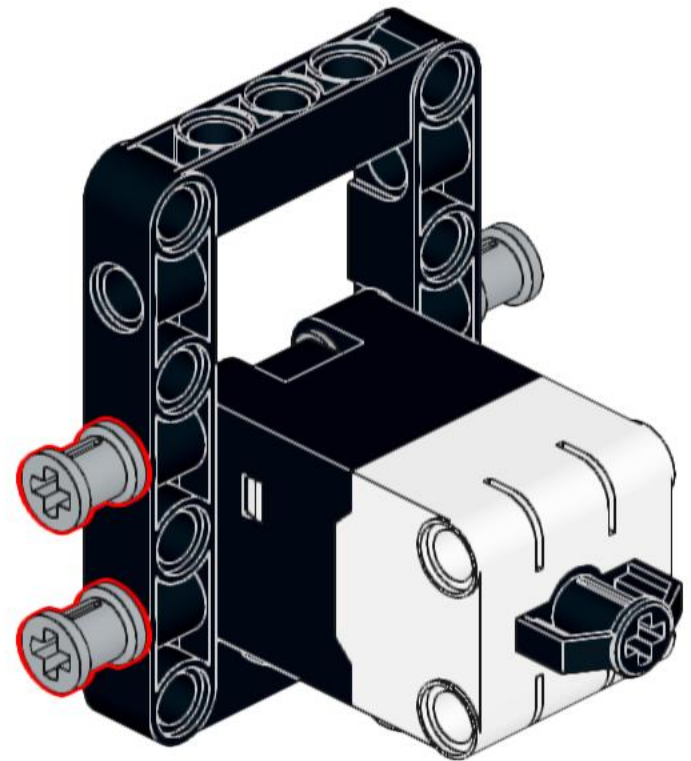
1x



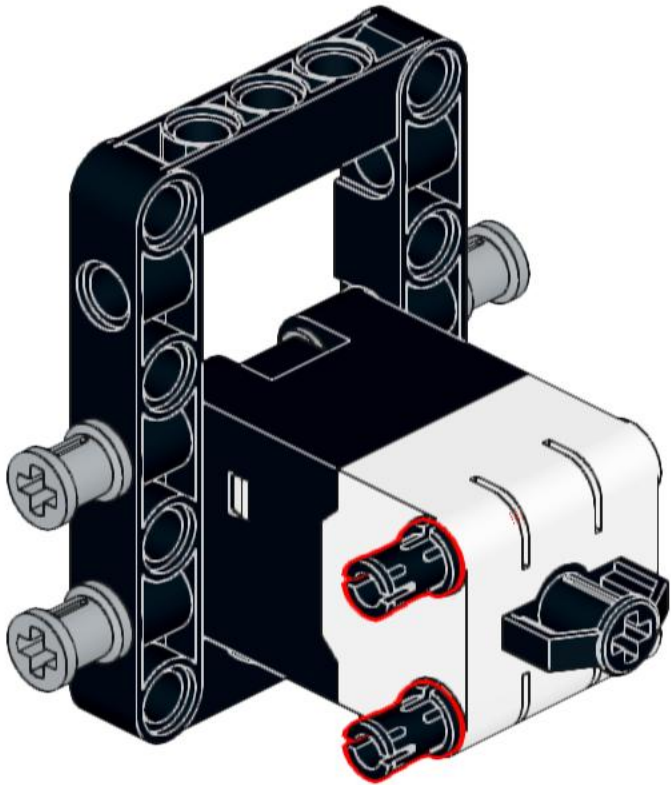
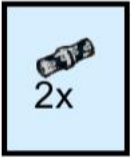
3



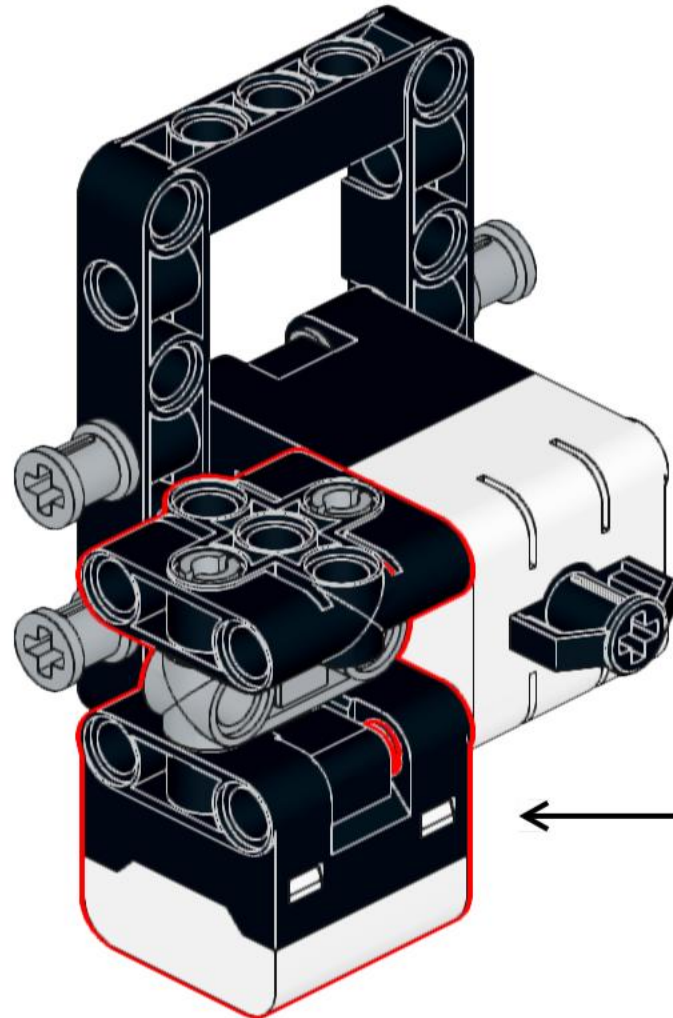
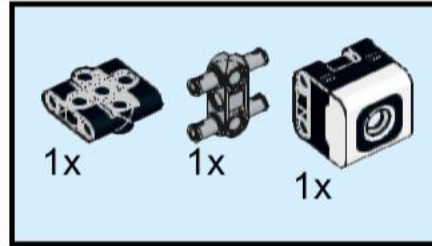
4



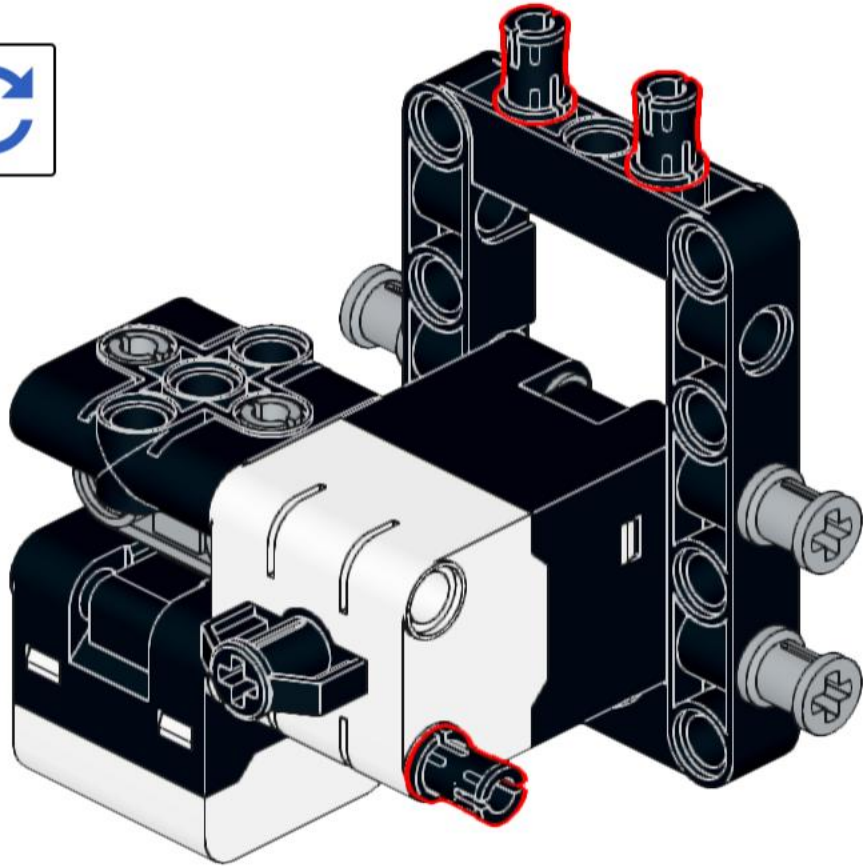
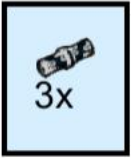
5



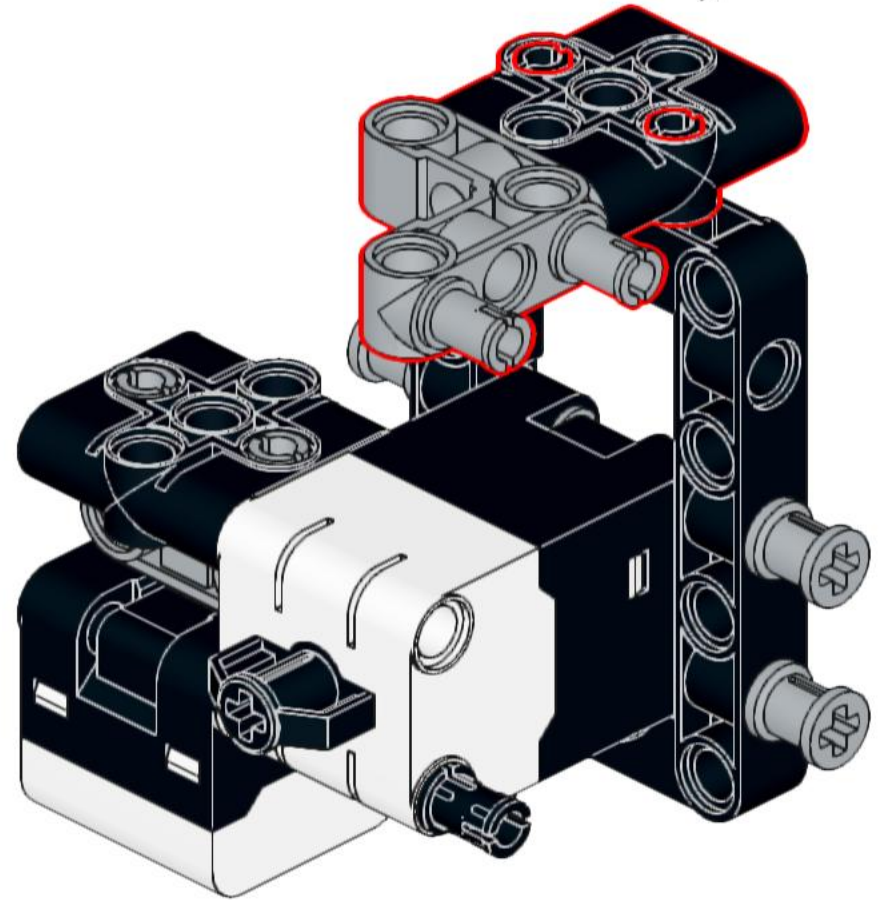
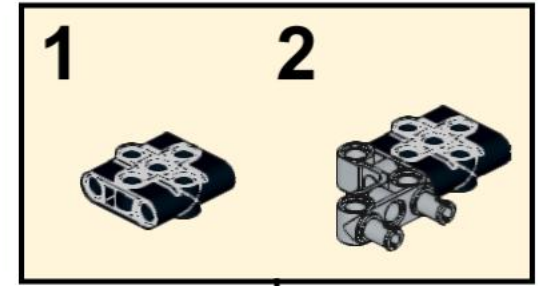
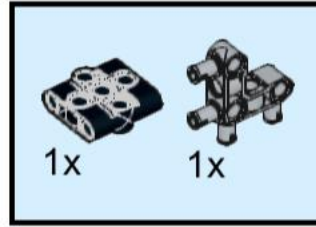
6



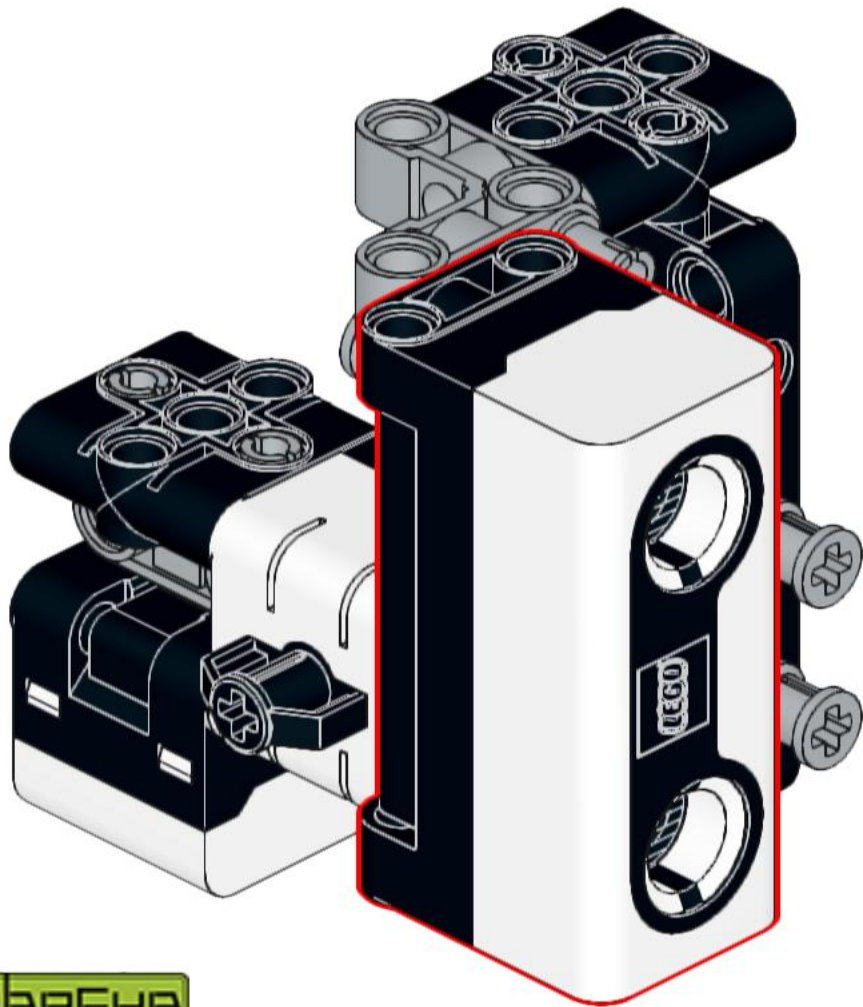
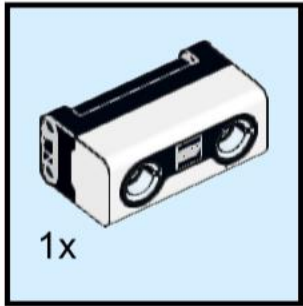
7



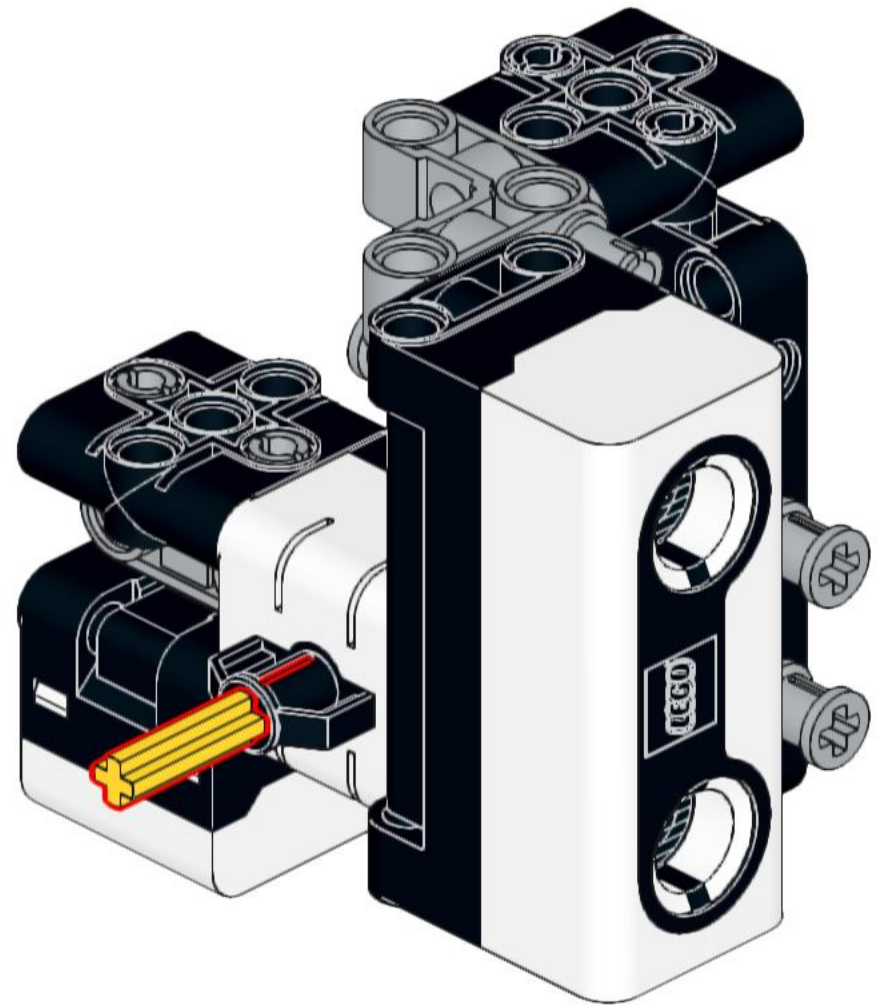
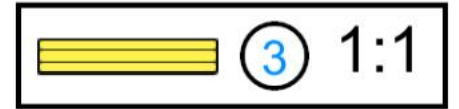
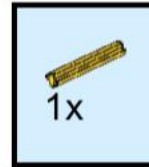
8



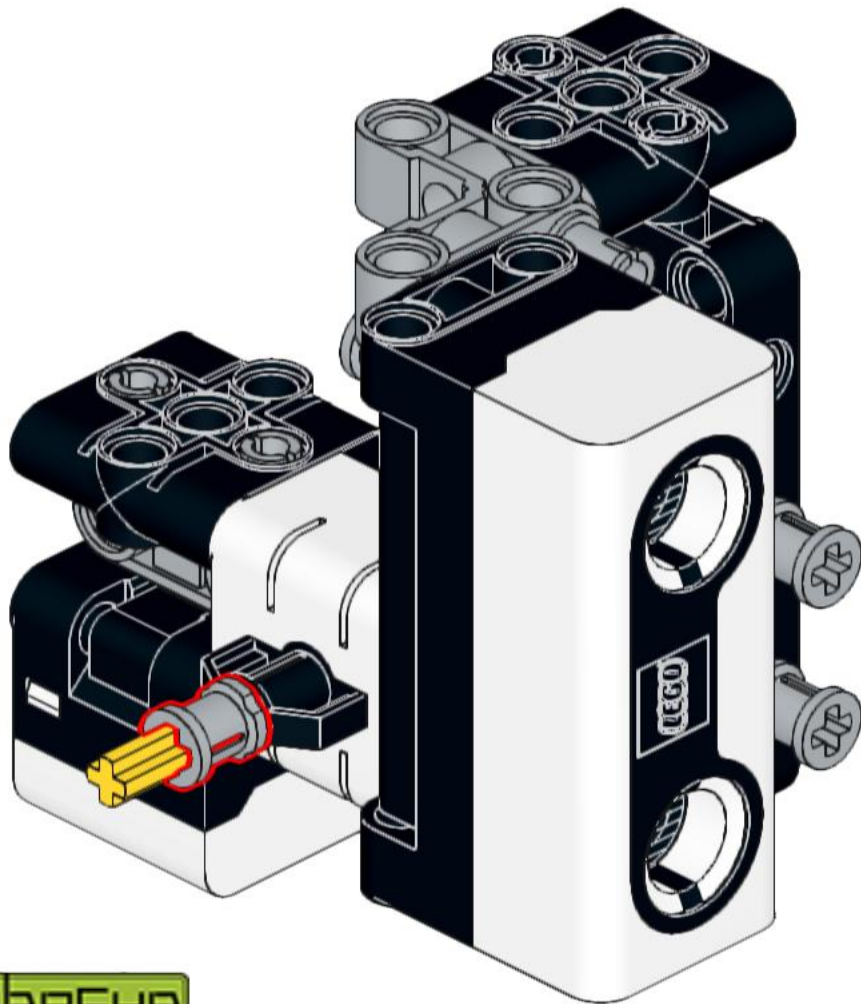
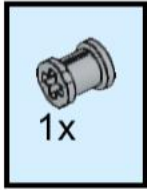
9



10



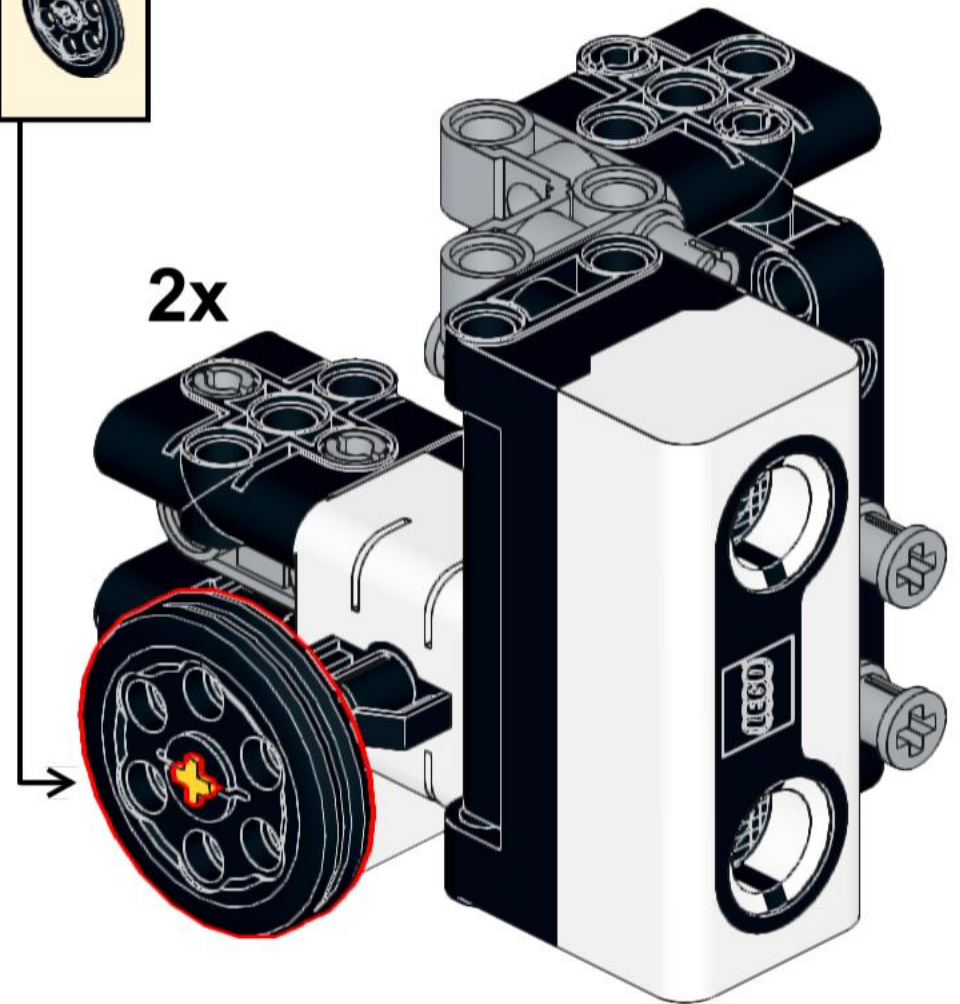
11



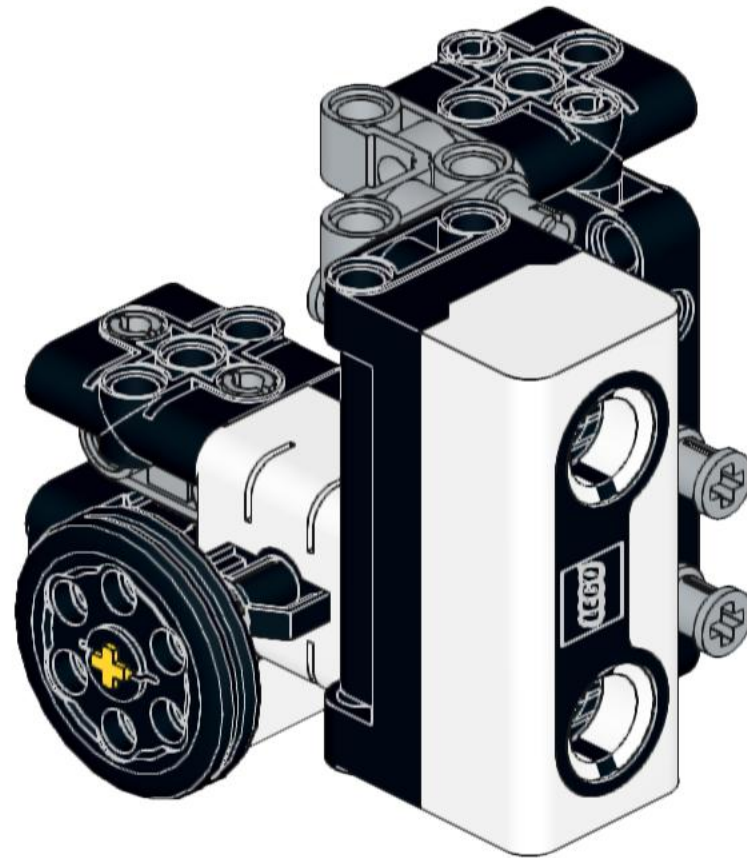
12



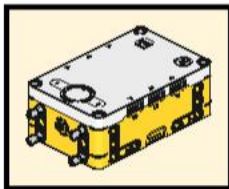
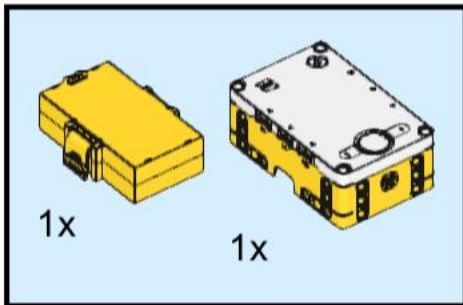
2x



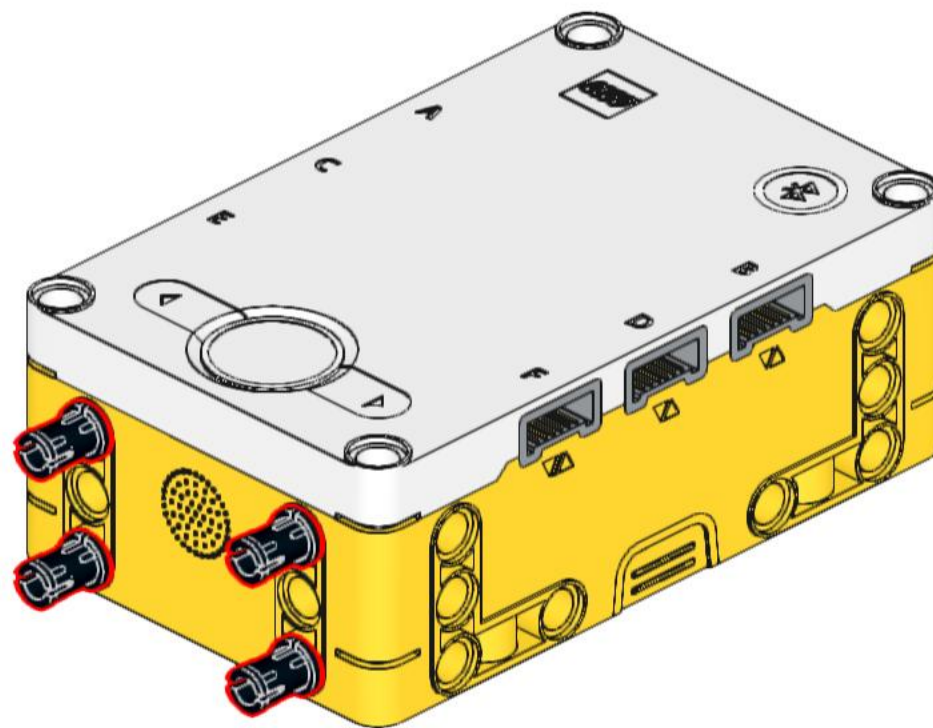
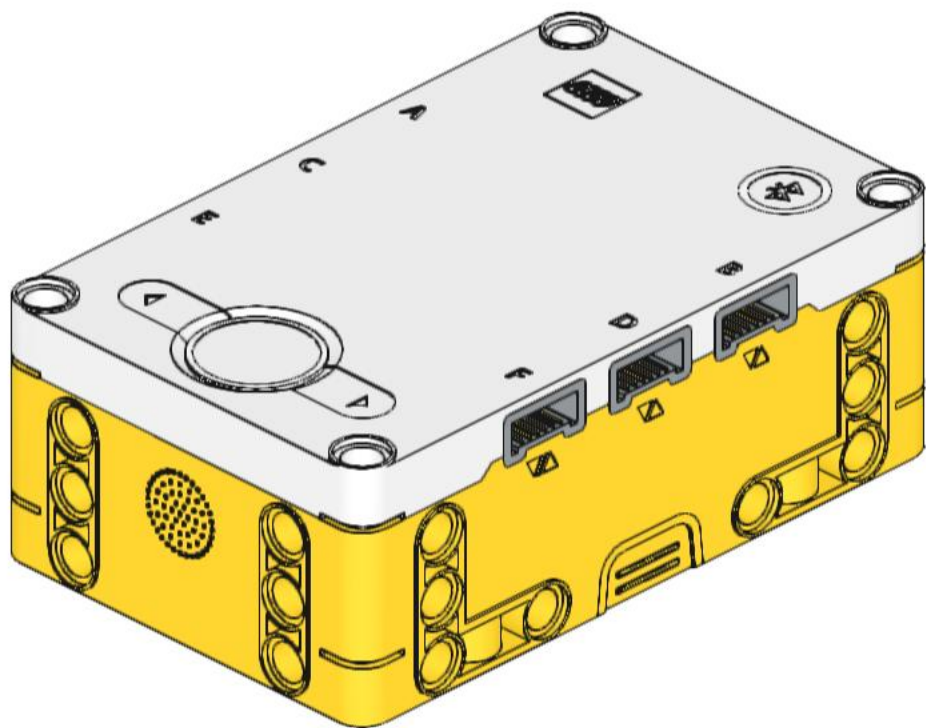
13



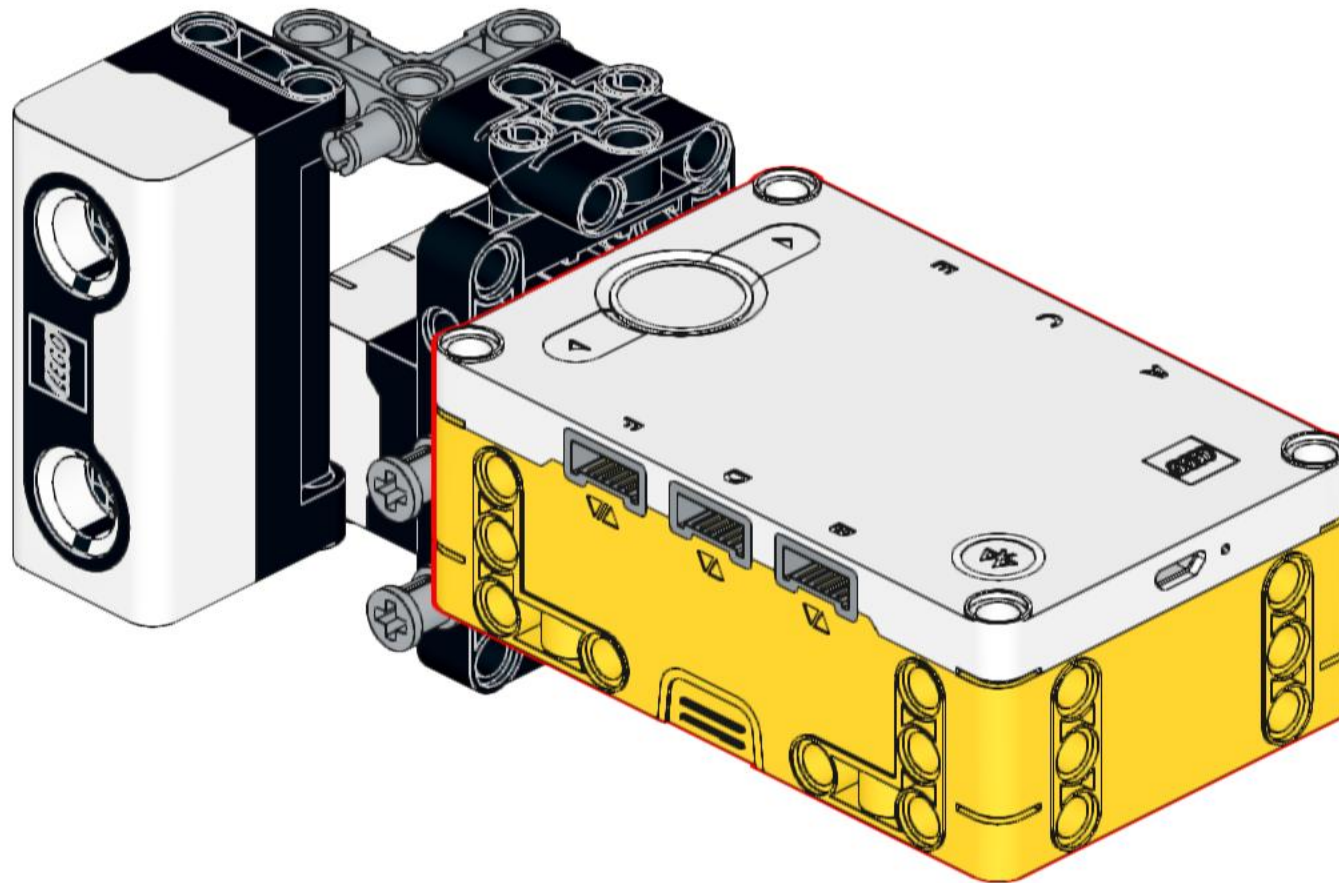
14



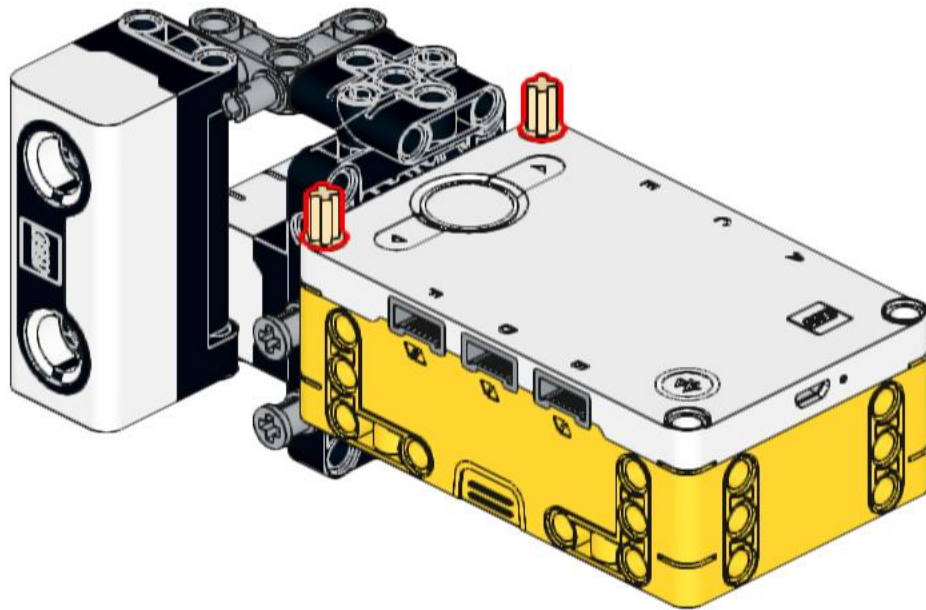
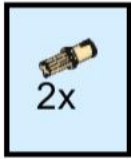
15



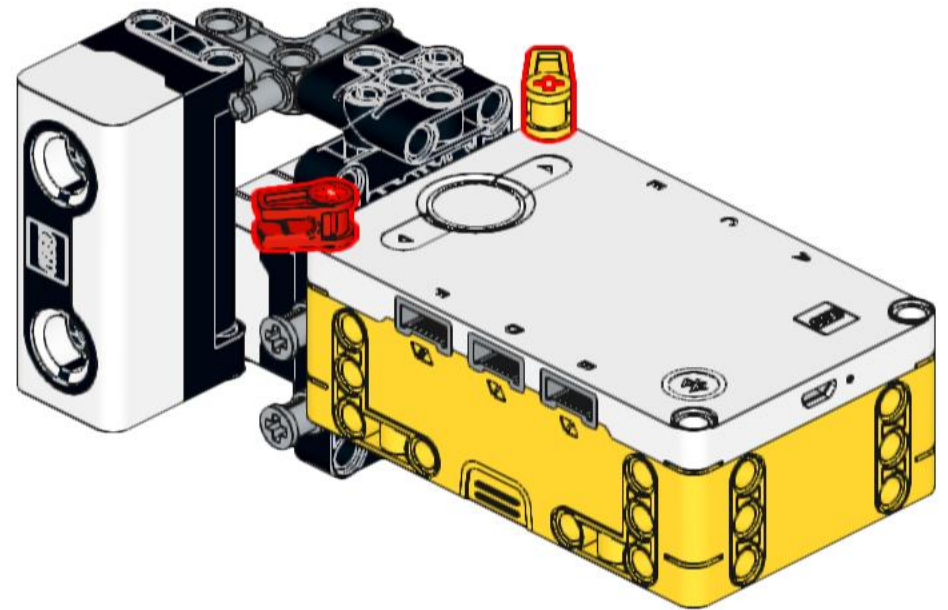
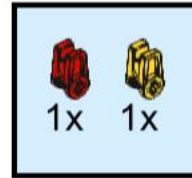
16



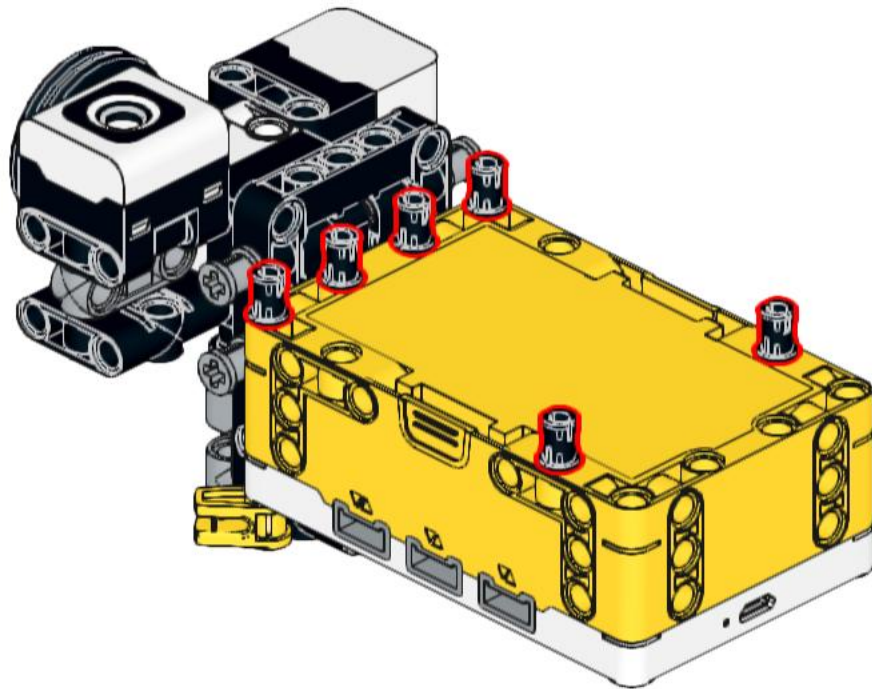
17



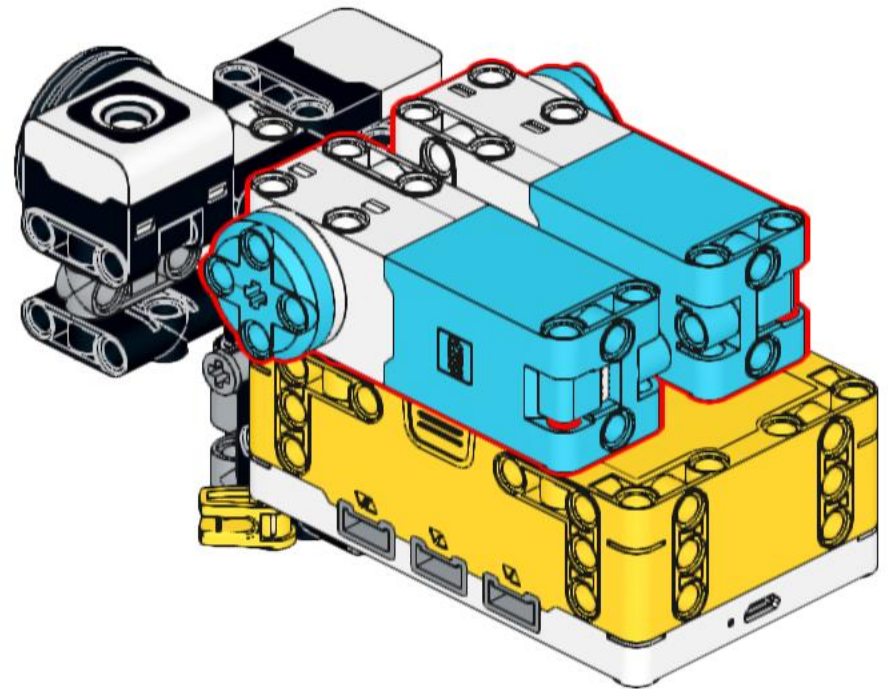
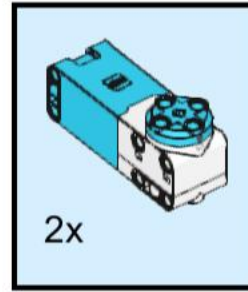
18



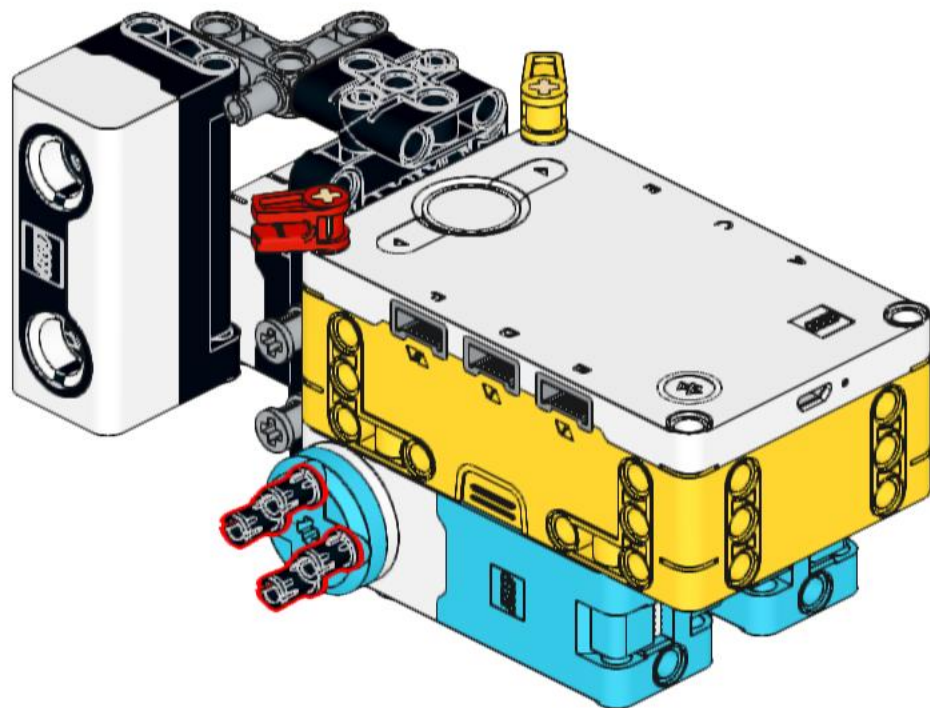
19



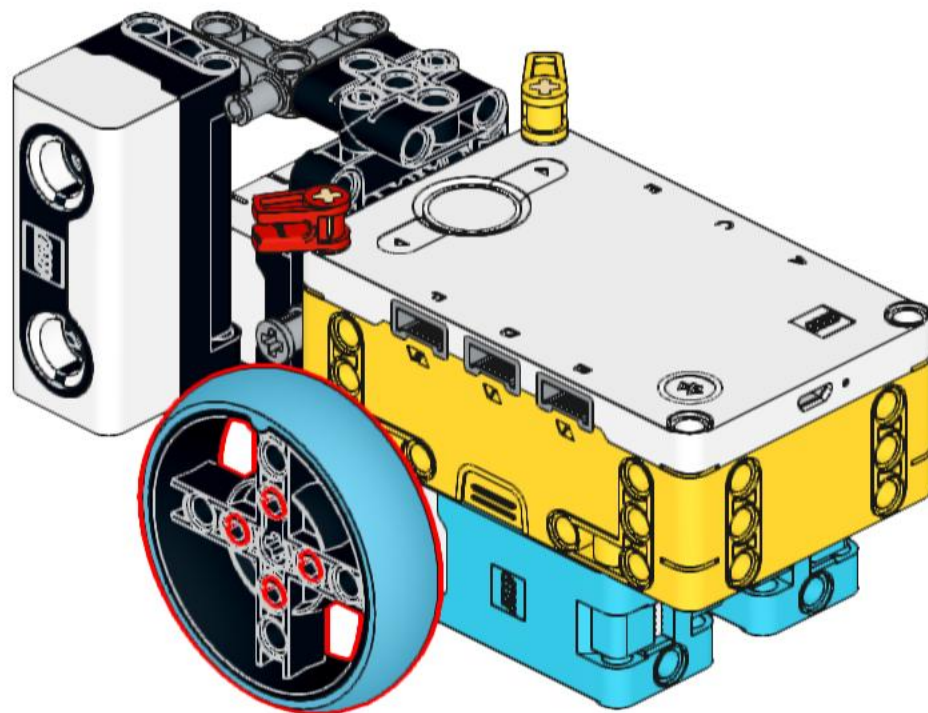
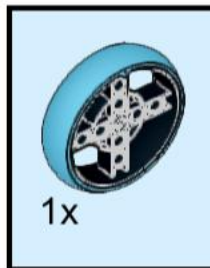
20



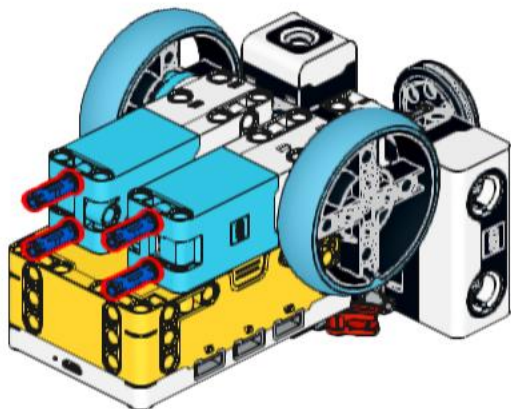
21



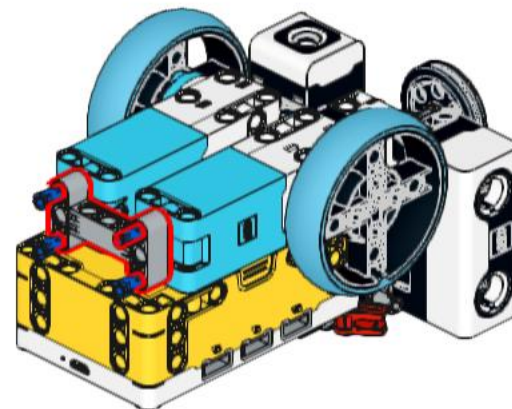
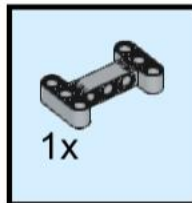
22



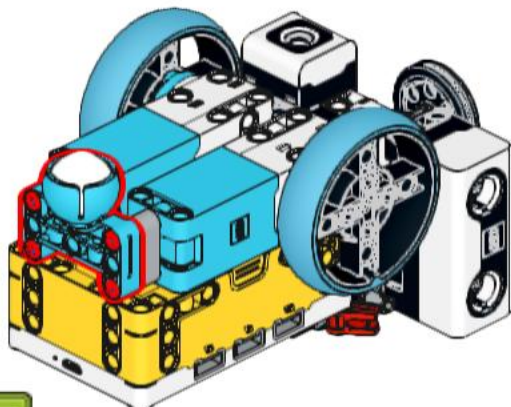
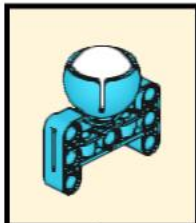
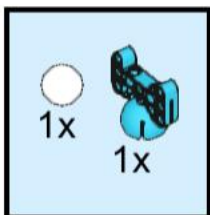
25



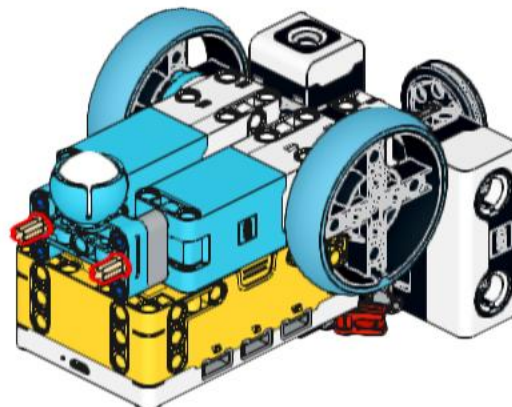
26



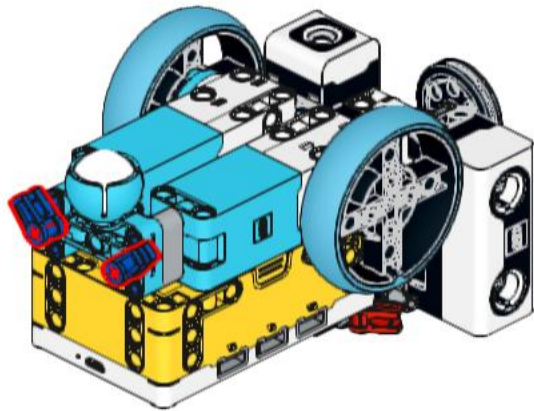
27



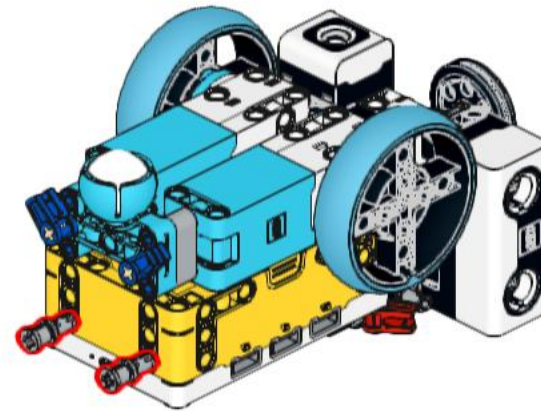
28



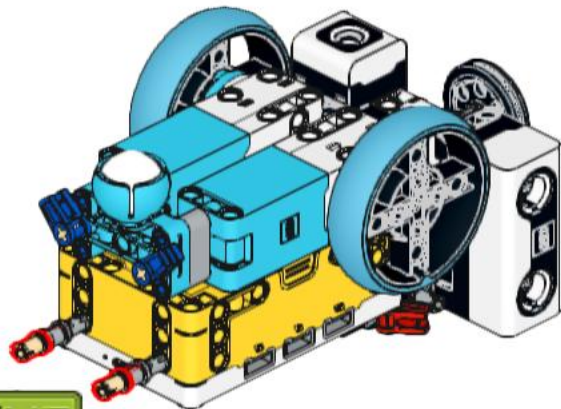
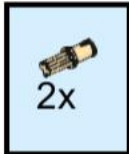
29



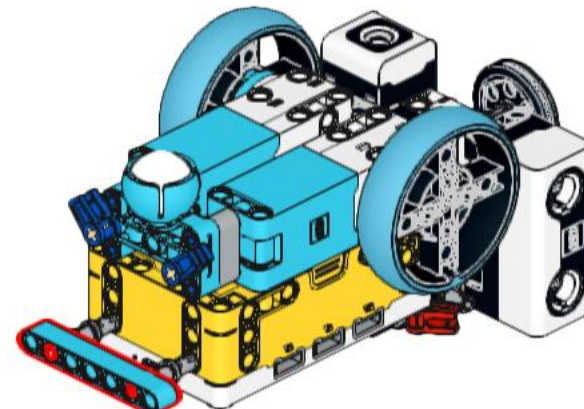
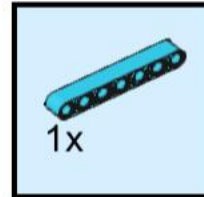
30



31



32



33

Original Design by David Musgrave.

Sourced from:

https://www.youtube.com/watch?v=BkLnxJU3MOK&list=PL1mvbOZzx1L8Wnj9Tp4AD085to_UOmitU

For cable management please refer to the video.

