



Australian Government

**Department of Industry, Innovation
Science, Research and Tertiary Education**

Using ABN Lookup web services

Version 5.0

Table of Contents

1	What is ABN Lookup?	1
2	Why use the ABN Lookup web services?	1
3	How easy is it to integrate the web services?	1
4	How do I register for the web services?	1
5	ABN Lookup web service methods	2
5.1	Overview	2
5.2	Search Request and Response	3
5.3	Schema	3
6	Search Request	4
6.1	Description and validation rules	5
6.1.1	Search by ABN	5
6.1.2	Search by ACN	6
6.1.3	Search by Name	7
7	Search with filters	9
8	Search Response	10
8.1	Response Payload	10
8.1.1	Business Entity overview	10
8.1.2	ABN test cases	14
8.1.3	Exceptions	14
8.1.3.1	Exception Codes and Description	15
9	Hints for searching by name	16
9.1	Single word searches	16
10	Enhancements and Change Control	16
Appendix A – Schema		17
	Request	17
	Response	19
	Exception	19
	Search results list	20
	Business entity	20
	Business entity 200506	22
	Business entity 200709	23
	Business entity 201205	24
	List of ABNs	25
Appendix B – Search Request examples		26
	Search by ABN	26
	Search By ASIC	26
	Search By Name	26
	Advanced Search By Name	27
	Advanced Search By Name 2006	28
Appendix C – Search Response examples		29
	Business Entity without history	29
	Business Entity with history	30
	Search Results List	30
	Exception	32
Appendix D - Entity Types		34
Appendix E - Charity Types		37
Appendix F - Charity Tax Concession Types		38
Appendix G – Superannuation compliance		39
Appendix H – Superannuation regulator types		40

Appendix I – Trading vs Business Names in the ABR	41
Appendix J – Data Dictionary	42
Identifier search - business entity result	42
Name search - search Results List	47

1 What is ABN Lookup?

ABN Lookup (<http://abr.business.gov.au>) is an on-line register hosted by the Department of Industry, Innovation, Science, Research and Tertiary Education (DIISRTE) on behalf of the Australian Business Register (ABR). The ABR is a unit within the Australian Taxation Office (ATO).

ABN Lookup contains the publicly available information provided by businesses when they register for an Australian Business Number (ABN).

As at March 2012, ABN Lookup held approximately 9.6 million ABNs and 23 million names.

2 Why use the ABN Lookup web services?

The ABN Lookup web services allow you to incorporate ABN information and search capabilities into your own applications. Furthermore, the web services provide more functionality and options than are available through the html interface at <http://abr.business.gov.au>. For example:

- The web service *name search* allows you to control the number of matching names returned by the search. As there is no upper limit, you are not restricted to the top 200 matching names imposed through the html interface.
- Additional search options include a search for all active ABNs within a selected postcode, new registrations, updated ABN etc.

Best of all, access to the web services is free of charge. To register, apply on-line at <http://abr.business.gov.au/webservices.aspx>.

3 How easy is it to integrate the web services?

Incorporating the ABN Lookup web services into your application is usually quite straight forward. To help you get started, sample code can be downloaded from the ABN Lookup web site at <http://abr.business.gov.au/SampleCode.aspx>. The sample code includes applications developed in the following languages:

- Java
- VB.NET
- C#
- Visual Basic 6
- php
- Ruby on Rails

4 How do I register for the web services?

Access to the ABN Lookup web services is free of charge.

If you are an individual or a non-government organisation complete the online registration at <http://abr.business.gov.au/webservices.aspx>.

If you are government organisation you will need to enter into a *Memorandum of Understanding (MOU)* with the Australian Business Register (ABR) within the ATO. To find out more please visit <http://abr.business.gov.au/GovernmentAgencyInformation.aspx>.

Once we have received your completed application we will process it and e-mail you an *Authentication GUID* (Globally Unique Identifier) which is required to access the ABN Lookup web services.



5 ABN Lookup web service methods

5.1 Overview

Using the ABN Lookup web services, you can incorporate ABN data and searches into your own applications.

The web services provide more functionality and options than are available through the html interface. For example, through the web services you can:

- request a list of all active ABNs within a selected postcode
- request a list of all ABNs within a selected postcode/state that were updated for a given date
- request a list of all ABNs within a selected postcode/state that were registered within given month/year
- request a list of all ABNs within a selected postcode/state registered for charity tax concession
- control how many matching names are returned by the name search
 - as there is no upper limit, you are not restricted to the top 200 matching names imposed through the html interface
- create advanced name search queries to better control search results

The search methods available through the web services fall into four categories:

- search by ABN
- search by ASIC number (ACN)
- search by name
- search with filters

Information is exchanged using standard internet protocols such as XML, SOAP, http-get and http-post. You will find a description of the web services at:

- <http://abr.business.gov.au/abrxmlsearch/ABRXMLSearch.asmx?WSDL> for document style encoding
- <http://abr.business.gov.au/abrxmlsearchRPC/ABRXMLSearch.asmx?WSDL> for RPC style encoding

Once you have an authentication GUID you can try out the test forms at:

- <http://abr.business.gov.au/ABRXMLSearch>
- <http://abr.business.gov.au/ABRXMLSearchRPC>



5.2 Search Request and Response

An ABN Lookup web service call is initiated via a *search request* and returns a *search payload*.

The content and structure of the request depends on the method called. Likewise the content and structure of the payload depends on the search outcome. The request and payload components are described in more detail in the following sections.

5.3 Schema

The most up-to-date schema is available from the ABN Lookup web site at:
<http://abr.business.gov.au/Webservices.aspx>.

The schema is stored across a number of files. The starting or *root* document is:
abrPublicPayloadSearchResults.xsd

A diagrammatic view of the main components of the schema can be found in [Appendix A – Schema](#).



6 Search Request

An ABN Lookup web service call is initiated via a search request. The content and structure of the request depends upon the search method. To support existing users, when new information and features are made available through ABN Lookup, new methods are created. If you are integrating the web services for the first time or upgrading your existing applications, it is best to use the most recent web method as indicated below.

The following methods of searching are available through the web services:

- Search by ABN
 - There are four versions:
 1. [ABRSearchByABN](#)
 2. [SearchByABNv200506](#)
 - returns everything [ABRSearchByABN](#) returns plus tax concession information where it exists
 3. [SearchByABNv200709](#)
 - returns everything [SearchByABNv200506](#) returns plus superannuation specific information where it exists
 4. [SearchByABNv201205](#) - **most recent**
 - returns everything [SearchByABNv200709](#) returns plus registered business names where they exist
 - All versions are accessible using SOAP or Http get/post protocols
- Search by ASIC number (ACN or ARBN)
 - There are three versions:
 1. [ABRSearchByASIC](#)
 2. [SearchByASICv200506](#)
 - returns everything [ABRSearchByASIC](#) returns plus tax concession information where it exists
 3. [SearchByASICv201205](#) - **most recent**
 - returns everything [SearchByASICv200506](#) returns plus registered business names where they exist
 - All versions are accessible using SOAP or Http get/post protocols
- Search by name
 - There are 4 versions:
 1. [ABRSearchByName](#) (SOAP only) and [ABRSearchByNameSimpleProtocol](#)
 2. [ABRSearchByNameAdvanced](#) (SOAP only) and [ABRSearchByNameAdvancedSimpleProtocol](#)
 3. [ABRSearchByNameAdvanced2006](#) (SOAP only) and [ABRSearchByNameAdvancedSimpleProtocol2006](#)
 4. [ABRSearchByNameAdvanced2012](#) (SOAP only) and [ABRSearchByNameAdvancedSimpleProtocol2012](#) - **most recent**
 - The [SimpleProtocol](#) versions have the same functionality as the corresponding SOAP methods but can be called using Http get/post protocols
 - The [Advanced](#) versions include options to narrow/widen the search and to limit the records returned based on a match score



- The [Advanced2006](#) versions have the same filters as the [Advanced](#) versions but also allow you to specify the maximum number of matching records to return. The default is 200 but can be any positive integer.
- The [Advanced2012](#) versions have the same filters as the [Advanced2006](#) versions but also allow you to filter by *registered business names*.
- Search with filters
 - Meant to be used in conjunction with Search by ABN as these methods only return a list of matching ABNs
 - There are 5 versions:
 1. SearchByPostcode
 2. SearchByABNStatus
 3. SearchByUpdateEvent
 4. SearchByRegistrationEvent
 5. SearchByCharity
 - All these methods are accessible using SOAP or Http get/post protocols

A diagrammatic view of the main components of the schema can be found in [Appendix A – Schema](#).

6.1 Description and validation rules

This section describes the elements of a search request, how they are used and the validation rules applied to them.

6.1.1 Search by ABN

Request Description		
Element	Comments	
Search String	ABN to search for.	
Include Historical Details	Valid values are “Y”, “N”. Use “Y” to include historical information in the response.	
Authentication GUID	The GUID provided when you registered for access to the web services.	
Validation rules		
Element	Error Condition	Exception Text
Search String	Invalid identifier	Search string does not match search type: CurrentABN
	ABN not found	No records found
Include Historical Details	Invalid value	The Include History flag must be 'Y' or 'N'
Authentication GUID	GUID not found	The Authentication GUID is invalid



6.1.2 Search by ACN

Request Description		
Element	Comments	
Search String	ACN to search for.	
Include Historical Details	Valid values are "Y", "N". Use "Y" to include historical information in the response.	
Authentication GUID	The GUID provided when you registered for access to the web services.	
Validation rules		
Element	Error Condition	Exception Text
Search String	Invalid identifier	Search string does not match search type: ASIC
	ASIC number not found	No records found
Include Historical Details	Invalid value	The Include History flag must be 'Y' or 'N'
Authentication GUID	GUID not found	The Authentication GUID is invalid



6.1.3 Search by Name

Request Description	
Element	Comments
Name	String to search for.
Postcode	Match against postcode of the main business location
Name Type Filters <ul style="list-style-type: none">legalNametradingNamebusinessName	Restrict search to selected name types – i.e. Legal name and/or trading name and/or business name. Valid values are “Y”, “N” or blank. By default all Name Types are searched. If none of the options are “Y” (i.e. they are all “N” or blank), then all Name Types are included in the search.
State Filters <ul style="list-style-type: none">NSW, SA, ACT, VIC, WA, NT, QLD, TAS	Restrict search to selected states in the main business location. Valid values are “Y”, “N” or blank. The default is to include all states. If none of the options are “Y” (i.e. they are either “N” or blank), all states are included.
authenticationGUID	GUID provided when you registered for access to the web services.
searchWidth	Defines the search strategy. Only available in the advanced name search. Valid values are "Typical" and "Narrow"
minimumScore	The lowest acceptable score. Only available in the advanced name search. Accepted values are positive integers between 50 and 100.
maxSearchResults	The maximum number of records to return from the search. Default is 200. Only available in the advanced 2006 name search. Must be a positive integer



Validation rules		
Element	Error Condition	Exception Text
name	String not found	No records found
	An ABN is entered	An ABN is invalid in a name search.
	An ASIC number is entered	An ASIC Number is invalid in a name search
Name Type Filters	Invalid value – i.e. not “Y”, “N” or blank	The <i>name type</i> element has an invalid value according to its data type.
State Filters	Invalid value – i.e. not “Y”, “N” or blank	The <i>state</i> element has an invalid value according to its data type
postcode	Exceeds 12 characters	The 'postcode' element has an invalid value according to its data type.
authenticationGUID	GUID not found	The authenticationGUID is invalid
searchWidth	Invalid value	The 'searchWidth' element has an invalid value according to its data type.
minimumScore	Invalid value	The 'minimumScore' element has an invalid value according to its data type.
maxSearchResults	Invalid value	The 'maxSearchResults ' element has an invalid value according to its data type.



7 Search with filters

Request Description		
Element	Comments	
postcode	Postcode of the main business location to filter on	
state	State of the main business location to filter on	
activeABNsOnly	Include only ABNs that are currently active. Valid values are "Y", "N" or blank.	
currentGSTRegistrationOnly	Include only ABNs that are currently registered for GST. Valid values are "Y", "N" or blank.	
entityTypeCode	Include only ABNs that belong to the selected entity type code. Valid values are a 3 letter entityTypeCode listed in Appendix D - Entity Types or blank. The default is to include all entity types.	
concessionTypeCode	Include only ABNs that are registered for the selected concession type code. Valid values are a 4 letter concessionTypeCode listed in Appendix E - Charity Tax Concession Types or blank. The default is to include all entity types.	
updateDate	Include only ABNs updated on this date. Must be a valid date in the form yyyy-mm-dd	
month	Include only ABNs updated in this month (and year). Must be an integer between 1 and 12	
year	Include only ABNs updated in this year (and month). Must be an 4 digit integer representing a year between 1999 and the current year	
authenticationGuid	The GUID provided when you registered for access to the web services.	
Validation rules		
Element	Error Condition	Exception Text
year	Invalid value – must be a integer between 1999 and the current year	Year must be between 1999 and <i>current year</i> Year: <i>year</i> entered
month	Invalid value – must be an integer between 1 and 12	Month must be between 1 and 12 Month: <i>month</i> entered
authenticationGuid	GUID not found	The Authentication GUID is invalid

8 Search Response

The ABN Lookup web service returns a *payload* which consists of the original request and the search response. Depending on the search outcome, the body of the response is a *business entity*, a *search results list*, an *abn list* or an *exception*. See [Appendix A – Schema](#) for the response schema.

The table below summarises the possible outcomes from the search and how it relates to the response body.

Search Outcome	Include history	Response Body type
Single ABN record	No	Business entity (current information only)
Single ABN record	Yes	Business entity (current and historical information)
Multiple ABN records	not applicable	Search results list
Multiple ABNs	not applicable	abn list
Unsuccessful	not applicable	Exception

See the [Appendix C – Search Response examples](#) for sample responses.

8.1 Response Payload

If the query was successful, the response contains either a:

- Search results list;
- Business entity;
- ABN list;

If the query was unsuccessful, the response contains an:

- Exception;

8.1.1 Business Entity overview

The schema attempts to capture the business rules associated with a business entity. However as XML schemas are at best, tedious to read, the following is a summary of the important rules associated with an ABN. A number of ABNs representing extreme examples of the data that may be encountered is also included in the section [ABN test cases](#) below.

- Broadly speaking, an ABN is either an **individual** or a **non-individual**;
- With the exception of the ABN and ABN status, all attributes are optional. This is to handle *suppressed* information. When ABN details are suppressed the only information that is available on ABN Lookup is the ABN, ABN status and GST and charity tax concession registrations.
- There are 7 name types:
 - Legal Name – individuals only
 - Main Name – non-individuals only
 - Business Name – *introduced May 2012*
 - Main Trading Name – *removed from the register mid 2013*
 - Other Trading Name – *removed from the register mid 2013*
 - DGR Name
 - PBI Employer Name



- As of May 2012 *registered business names* will appear in the ABR and hence ABN Lookup. A *registered business name* is registered with the Australian Securities & Investment Commission (ASIC) on the National Business Name Register. *Trading names* on the other hand are not linked to any business name register and will be removed from the ABR in mid 2013 – for more information see [Appendix I – Trading vs Business Names on the ABR](#).
- In the case of an **individual**:
 - There is either zero (if ABN details have been suppressed) or one current Legal Name.
 - There is no limit to the number of historical Legal Names
 - An individual will never have a Main Name
 - An individual may have zero or one current Main Trading Name
 - There is no limit to the number of historical Main Trading Names
 - All other name types are optional and there is no limit to the number they may have either currently or historically
 - From mid 2013 all Trading Names will be removed from the ABR and hence ABN Lookup.
- In the case of a **non-individual**:
 - There is either zero (if ABN details have been suppressed) or one current Main Name
 - There is no limit to the number of historical Main Names
 - A non-individual will never have a legal name
 - An non-individual may have zero or one current Main Trading Name
 - There is no limit to the number of historical Main Trading Names
 - All other name types are optional and there is no limit to the number they may have either currently or historically
 - From mid 2013 all Trading Names will be removed from the ABR and hence ABN Lookup.

A summary of the relationship between name types and individuals/non-individuals for current and historical information is shown in the table below.

Name Type	Individual		Non individual	
	Current	Historical	Current	Historical
Legal name	0 or 1	0 - many	n/a	n/a
Main name	n/a	n/a	0 - 1	0 - many
Business name	0 – many	0 – many	0 - many	0 - many
Main trading name	0 or 1	0 - many	0 or 1	0 - many
DGR fund Name	0 - many	0 - many	0 - many	0 - many
PBIE Name	0 - many	0 - many	0 - many	0 - many



The table below summarises the field lengths and data types of the ABN attributes

Element Name	Maximum Length	Type
request/identifierSearchRequest		
authenticationGUID	50	string
identifierType	4	string
identifierValue	11	numeric
history	1	string
response		
dateRegisterLastUpdated	10	date
dateTimeRetrieved	33	datetime
businessEntity		
recordLastUpdatedDate		date
ABN/identifierValue	11	numeric
ABN/isCurrentIndicator	1	string
ABN/replacedIdentifierValue	11	numeric
ABN/replacedFrom	10	date
entityStatus/entityStatusCode	9	string
entityStatus/effectiveFrom	10	date
entityStatus/effectiveTo	10	date
ASICNumber	9	numeric
entityType/entityTypeCode	4	string
entityType/entityDescription	100	string
goodsAndServicesTax/effectiveFrom	10	date
goodsAndServicesTax/effectiveTo	10	date
mainName/organisationName	200	string
mainName/effectiveFrom	10	date
mainName/effectiveTo	10	date
mainTradingName/organisationName	200	string
mainTradingName/effectiveFrom	10	date
mainTradingName/effectiveTo	10	date
otherTradingName/organisationName	200	string
otherTradingName/effectiveFrom	10	date
otherTradingName/effectiveTo	10	date
mainBusinessPhysicalAddress/stateCode	3	string
mainBusinessPhysicalAddress/postcode	12	string
mainBusinessPhysicalAddress/effectiveFrom	10	date
mainBusinessPhysicalAddress/effectiveTo	10	date
legalName/givenName	40	string
legalName/otherGivenName	100	string
legalName/familyName	40	string
mainName/effectiveFrom	10	date
mainName/effectiveTo	10	date
businessEntity200506		
charityType/charityTypeDescription	100	string
charityType/effectiveFrom	10	date
charityType/effectiveTo	10	date
taxConcessionCharityEndorsement/endorsementType	100	string
taxConcessionCharityEndorsement/effectiveFrom	10	date



taxConcessionCharityEndorsement /effectiveTo	10	date
businessEntity200709		
superannuationStatus/complyingCode	20	string
superannuationStatus/complyingDescription	50	string
superannuationStatus/regulator	15	string
mainPostalPhysicalAddress/stateCode	3	string
mainPostalPhysicalAddress/postcode	12	string
mainPostalPhysicalAddress/addressLine1	60	string
mainPostalPhysicalAddress/addressLine2	60	string
mainPostalPhysicalAddress/suburb	50	string
mainPostalPhysicalAddress/countryName	100	String
businessEntity201205		
businessName/organisationName	200	string
businessName/effectiveFrom	10	date
businessName/effectiveTo	10	date



8.1.2 ABN test cases

The following table of ABNs are useful test cases as they represent some of the more extreme examples in the database.

Description	ABN
Suppressed ABN	34 241 177 887
Replaced ABN	30 613 501 612
Re-issued ABN	77 104 439 054
Multiple trading names	88 712 649 015
Multiple addresses	33 531 321 789
Multiple GST status	76 093 555 992
Multiple ABN status	53 772 093 958
Many name types	85 832 766 990
Main DGR status	56 006 580 883
DGR funds with historical names	78 345 431 247
Tax concession information	48 212 321 102
Superannuation fund	12 586 695 715

8.1.3 Exceptions

Exceptions fall into a number of categories:

http error such as:

- Page not found (404);
- Internal server error (500);

Application errors such as:

- Invalid ASIC or ABN number;
- No records found;
- Timeout;
- Too many records found;
- unrecognised user;

See the Appendix for examples and a diagrammatic representation of the schema.



8.1.3.1 Exception Codes and Description

If an Application error occurs, the payload will contain an exception consisting of an exceptionCode and an exceptionDescription. Codes and example descriptions that may be returned include:

Code	Description examples
Search	<ul style="list-style-type: none">• Search string: <i>some text</i> does not match search type: ABN• Search string: <i>some text</i> does not match search type: ASIC• Search string: <i>some text</i> does not match search type: CurrentABN• An ABN is invalid in Name Search• An ASIC number is invalid in Name Search• No records found• Search Timeout - Too many records match your criteria to complete the search in a timely manner <i>some text</i>
WebServices	<ul style="list-style-type: none">• The GUID entered is not recognised as a Registered Party. Search GUID: <i>some text</i>• The Include History flag must be 'Y' or 'N' History Flag: <i>some text</i>• No name search criteria entered.• Invalid request <i>explanation about which element is in error and the request xml</i>



9 Hints for searching by name

As with the html web site, the name search methods return a list of names that match the search criteria. Important attributes of the search results list are as follows

- Each search results record is awarded a *score* out of 100 to indicate how well the name matches the criteria. A score of 100 indicates an exact match. The lower the score, the poorer the match.
- Results are ordered by *relevance* - i.e. in descending order of *score*.
- The best results are achieved by entering as much of the name as you know. For example, entering '[Department of Industry](#)' will return a much better result than entering just '[Industry](#)'.
- Common abbreviations, spelling variations and nicknames are recognised - e.g. the following are equivalent:
 - [Qld](#) and [Queensland](#)
 - [SA](#) and [South Australia](#)
 - [BBQ](#) and [BARBECUE](#)
 - [Chris](#) and [Christopher](#)
- The search is fairly tolerant of spelling mistakes – e.g. searching on '[Australian Electoral Commission](#)' will find '[Australian Electoral Commission](#)' (but score less than 100).

9.1 Single word searches

Because of the number of names in the database, the best way to handle single word searches is to specify a *Narrow* search width. If you use either the [ABRSearchByName](#) or [ABRSearchByNameSimpleProtocol](#) a *Typical* search with method is used by default. However the *advanced* search methods ([ABRSearchByNameAdvanced](#), [ABRSearchByNameAdvancedSimpleProtocol](#) etc) provide the option of specifying a search width of either *Typical* or *Narrow*. Submitting a search for a common name such as [Stephen](#) or [John](#) or [Mary](#) or [Williams](#) etc using a *Typical* search width will generally never return a result as the query takes too long to complete.

The recommend approach when searching on single words is to initially specify a *Narrow* searchWidth. Then, if no results are returned or no results with a high enough score are returned, repeat the search using the *Typical* searchWidth.

The best search results are achieved if as much of the name a possible is entered even it if is just an initial i.e. Searching for "M Williams" (using a *Typical* searchWidth) is more likely to return a relevant match that just "Williams".

10 Enhancements and Change Control

Over time, the information recorded about an ABN may change due to amendments to the underlying legislation. To ensure existing registered users are not adversely affected, changes to the structure of the information returned may be implemented through new web service methods.

For example, in July 2005 new legislation was introduced that effected the information recorded about tax concessions. We implemented new methods for searching by ABN and ACN which extended the information returned to include tax concession information where it existed. The schema was updated to reflect these changes without invalidating the information already being returned through existing web service methods. Likewise in September 2007 we implemented a new method which extended the information returned to include superannuation funds information where it exists.

As described in section **6 Search Request** above, if you are integrating the web services for the first time or upgrading your existing applications, it is best to use the most recent web method available.



Appendix A – Schema

10.1 Request

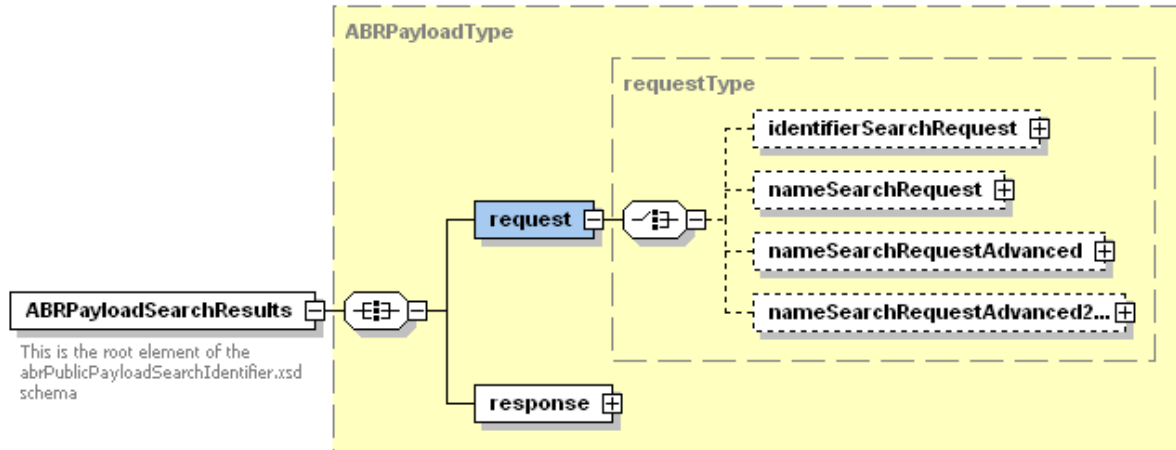


Figure 1 - Search request

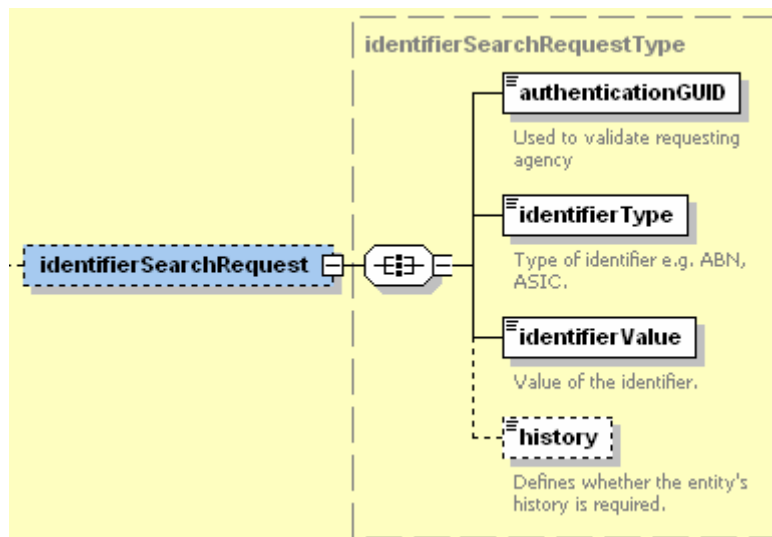


Figure 2 - Identifier search

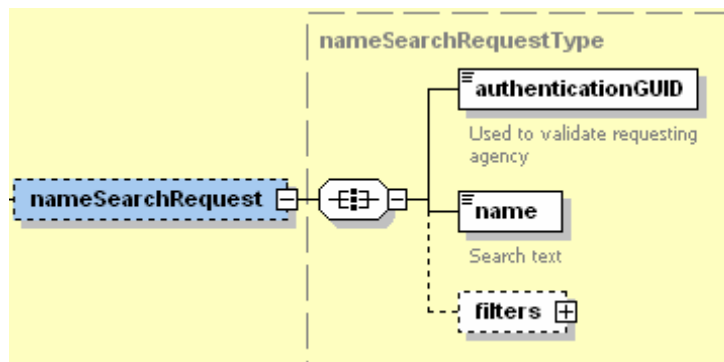


Figure 3 - Name search

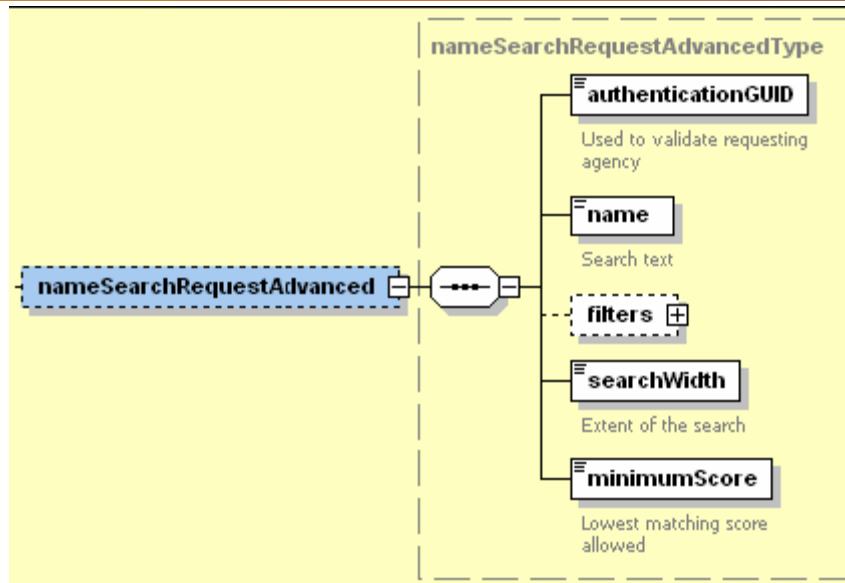


Figure 4 - Advanced name search

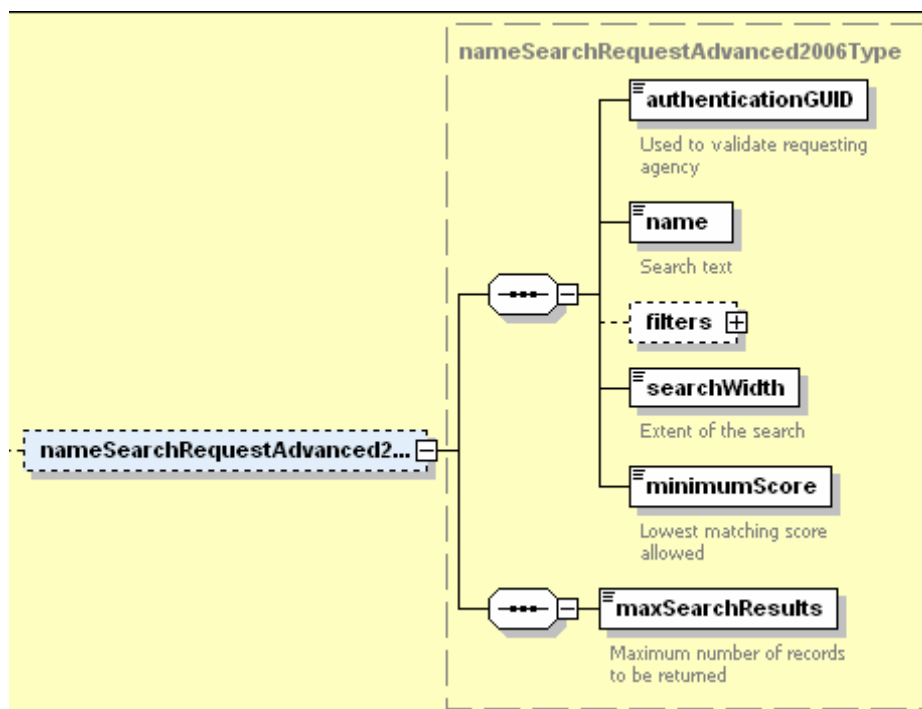


Figure 5 - 2006 Advanced name search



10.2 Response

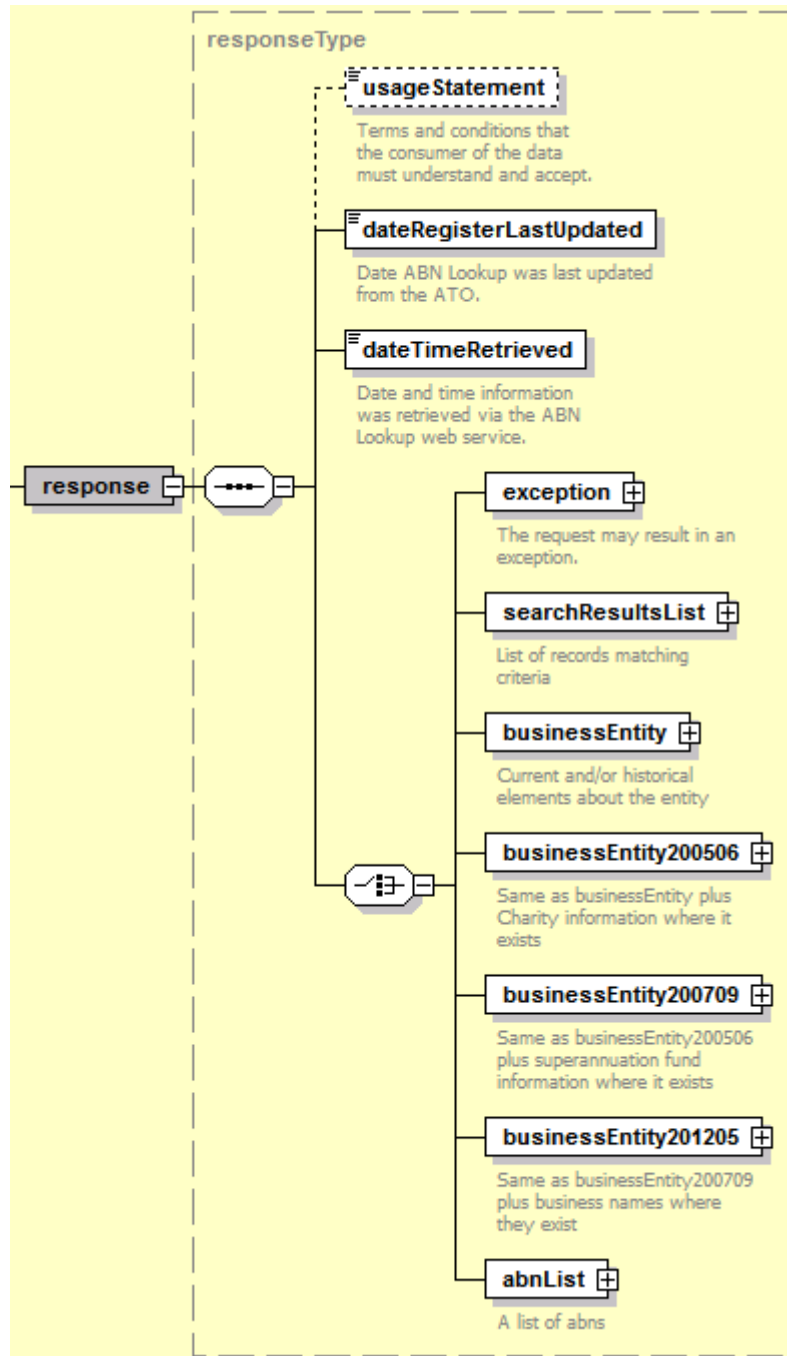


Figure 6 – Response

10.3 Exception

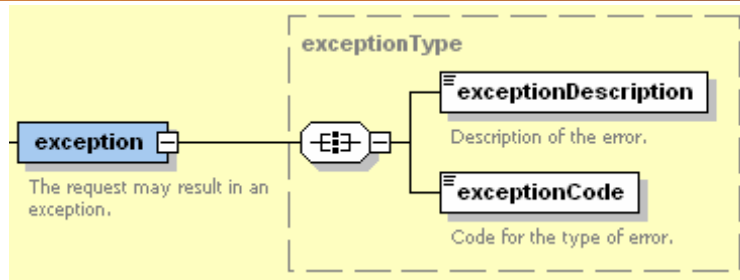


Figure 7 – Exception

10.4 Search results list

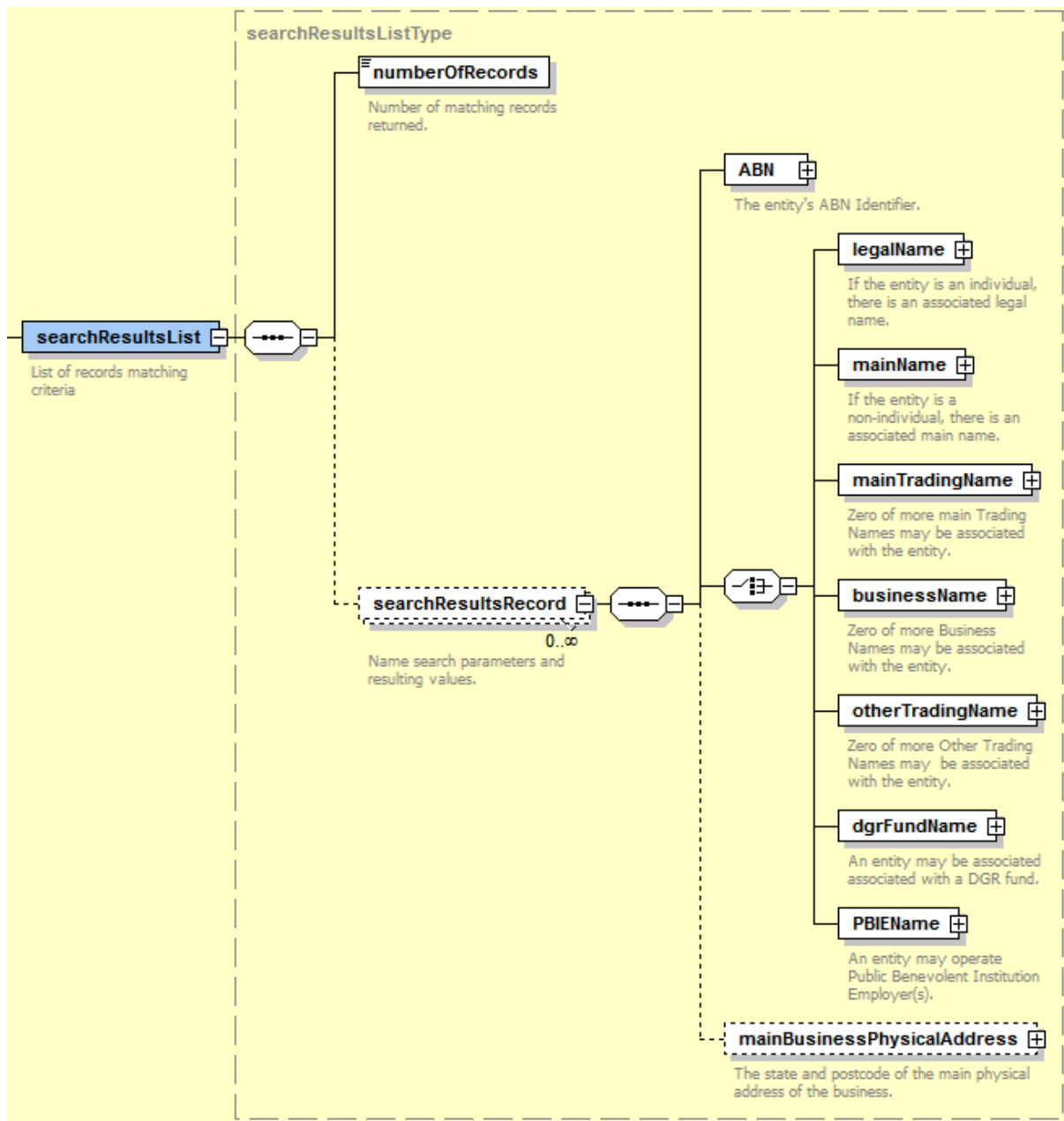
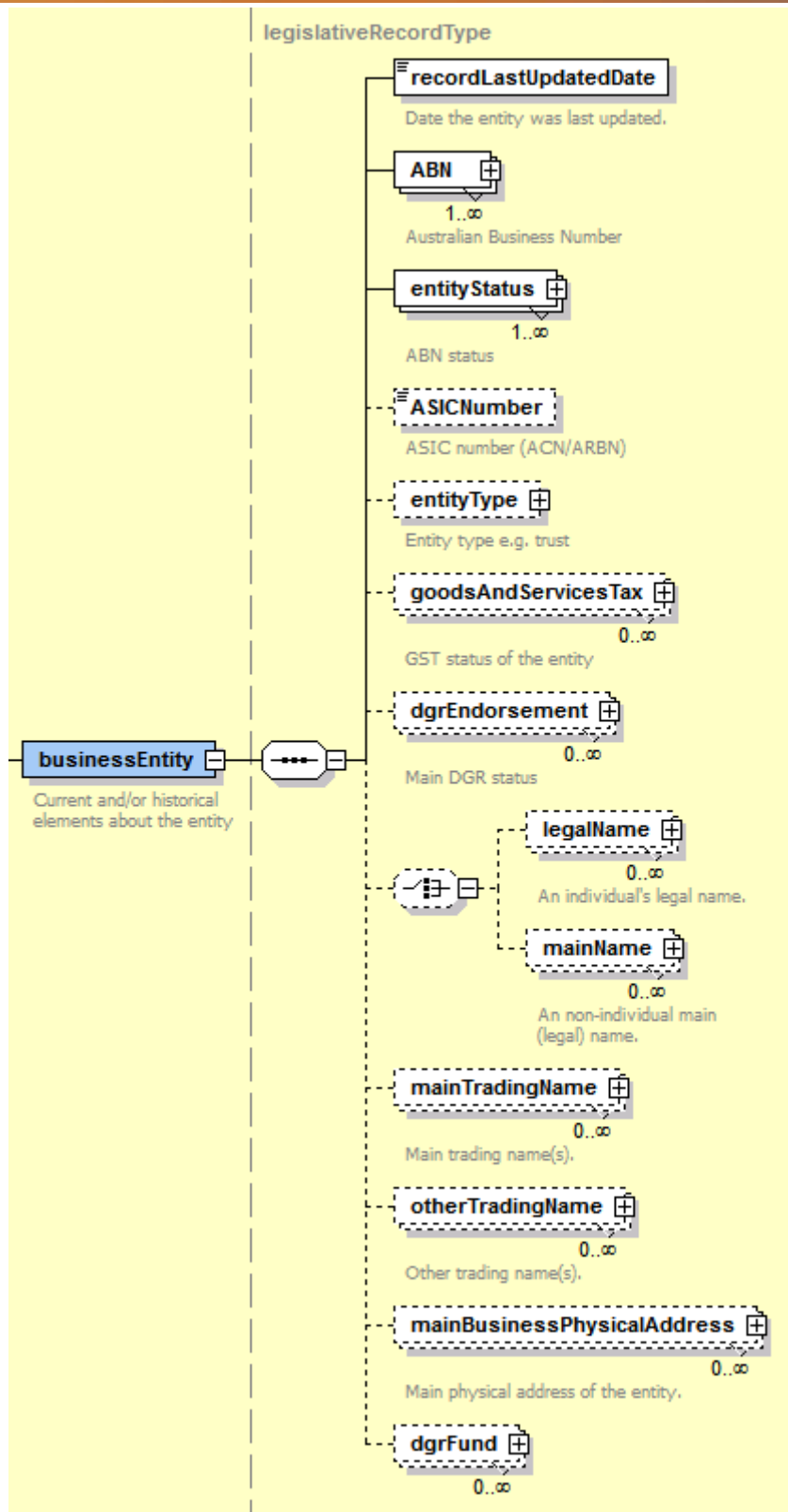


Figure 8 - Search results list

10.5 Business entity





Business entity 200506

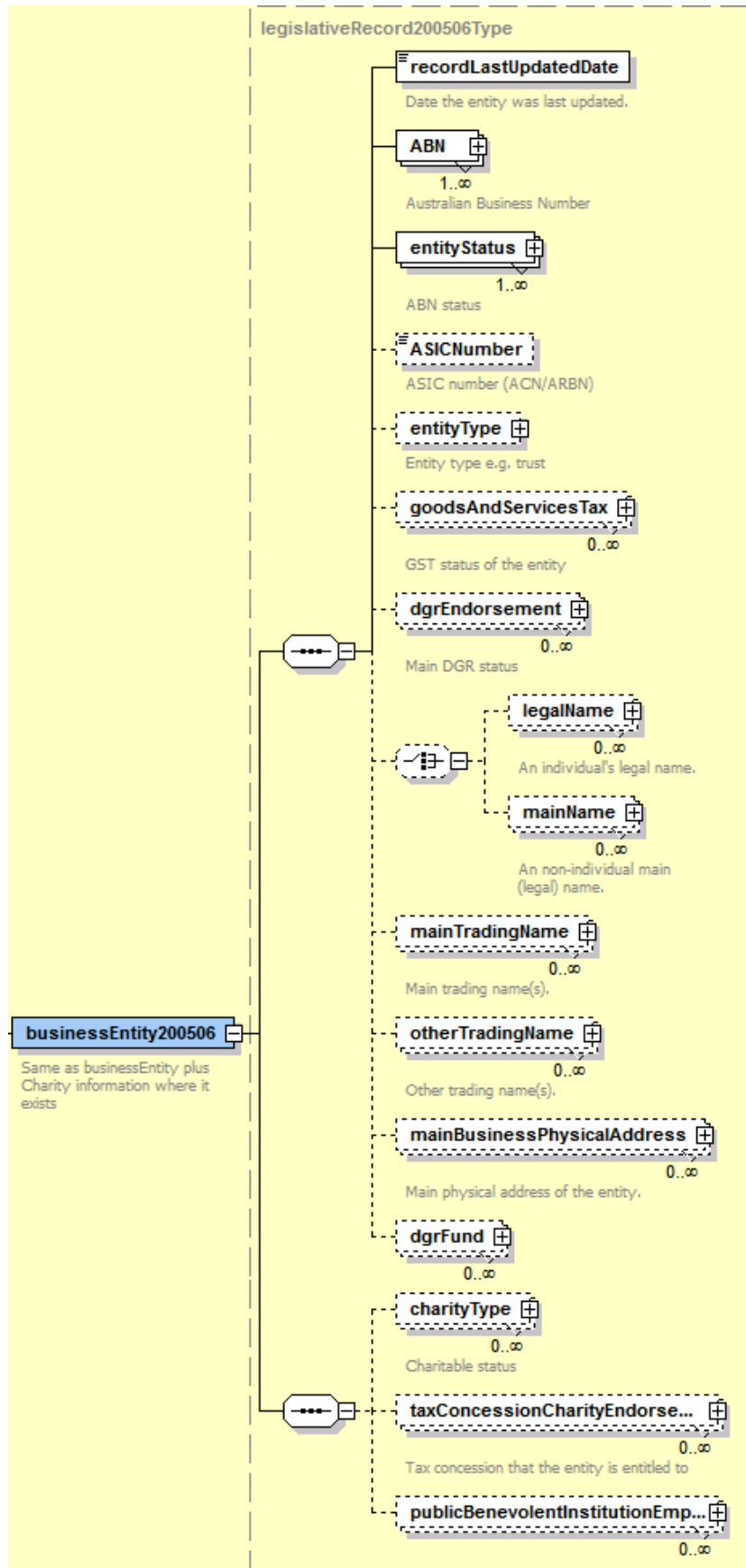


Figure 9 - Business entity including charity information



Business entity 200709

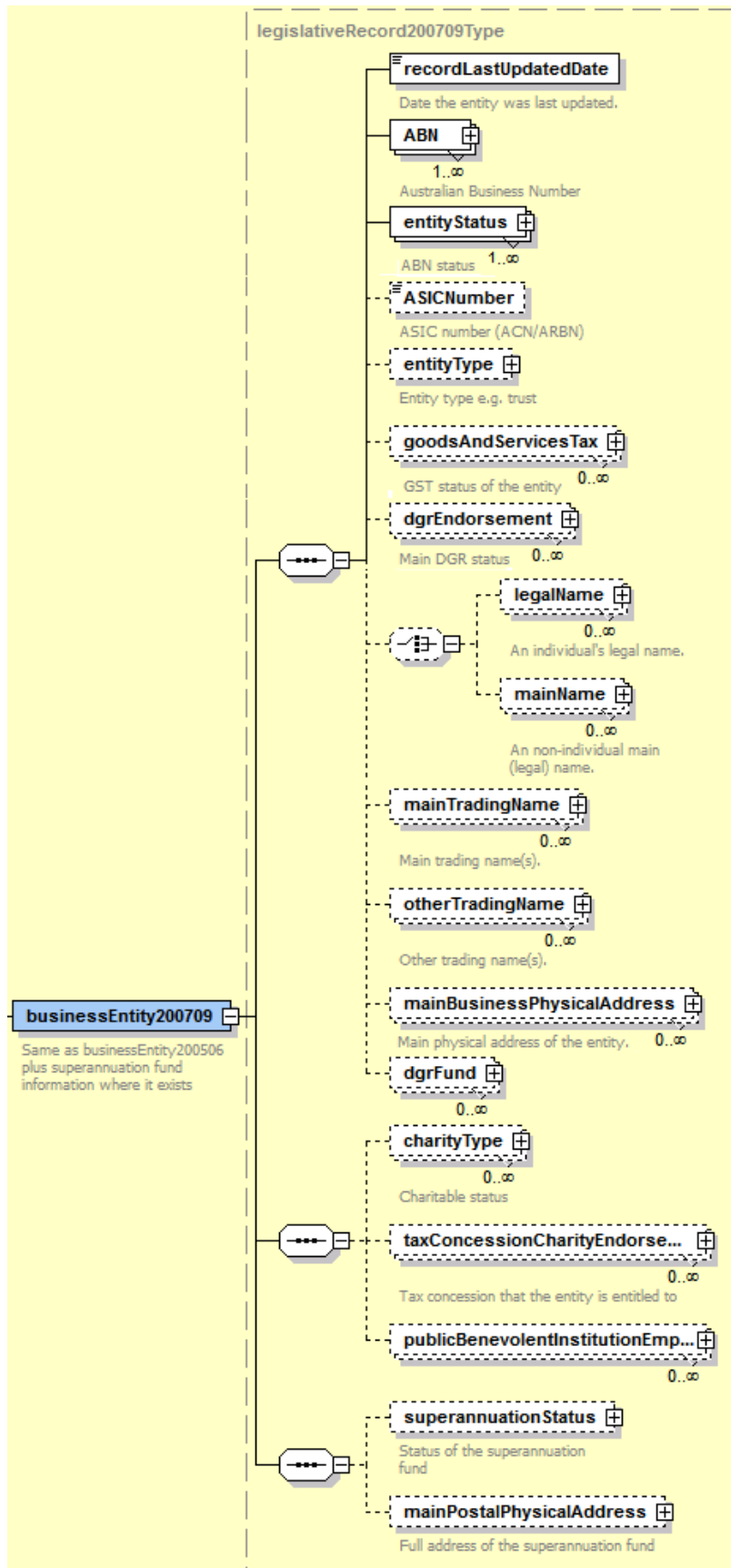


Figure 10 - Business entity including charity and superannuation information



Business entity 201205

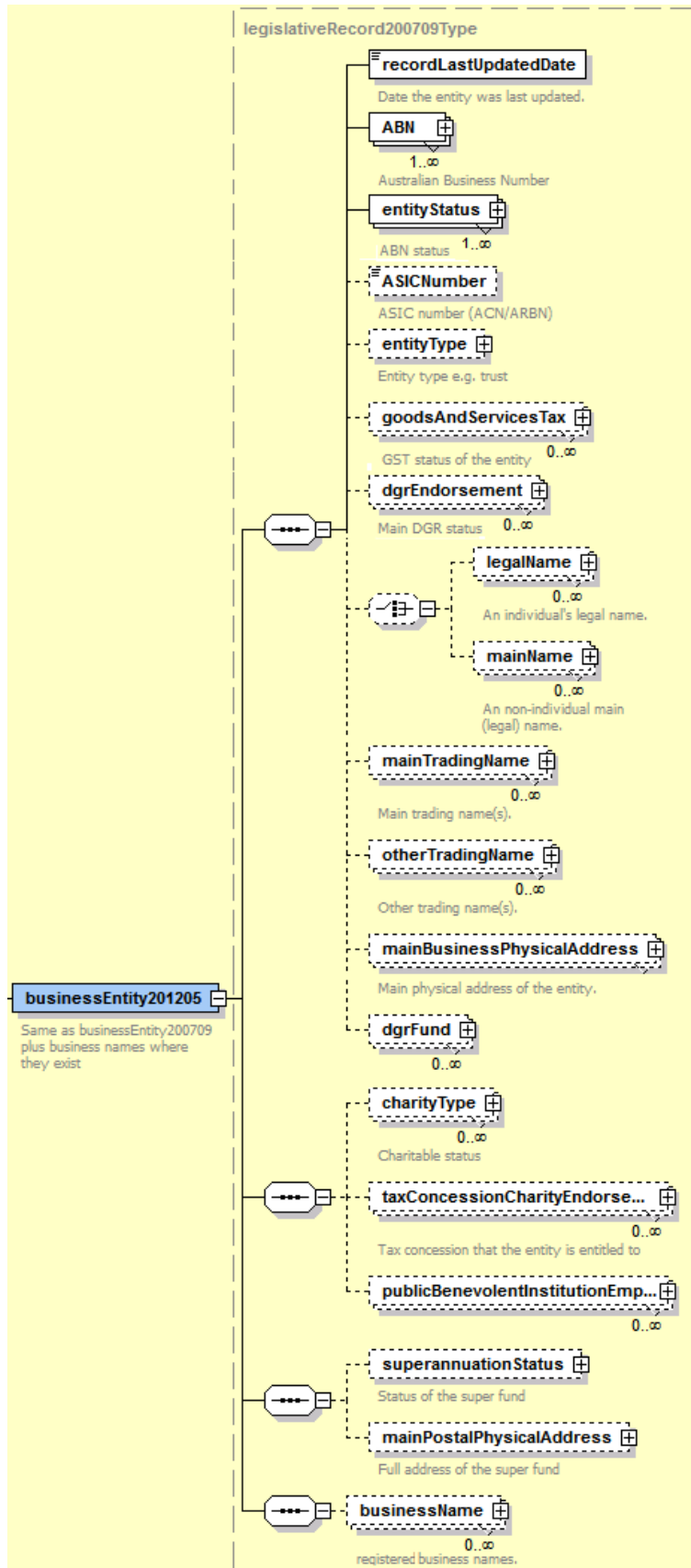


Figure 11 - Business entity including charity, superannuation and business names



List of ABNs

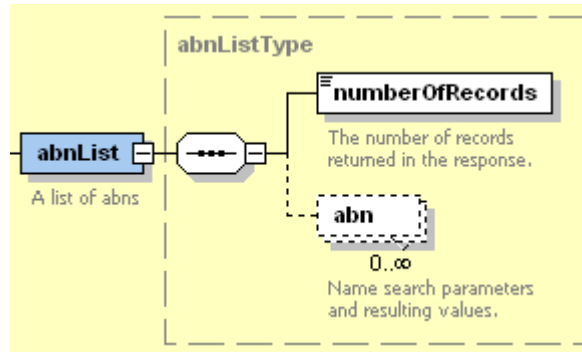


Figure 12 - ABN List



Appendix B – Search Request examples

10.6 Search by ABN

Below is a sample SOAP request to search for ABN **51 835 430 479** without history:

```
<?xml version="1.0" encoding="utf-8"?>
<soap:Envelope xmlns:xsi="http://www.w3.org/2001/XMLSchema-instance"
  xmlns:xsd="http://www.w3.org/2001/XMLSchema"
  xmlns:soap="http://schemas.xmlsoap.org/soap/envelope/">
  <soap:Body>
    <ABRSearchByABN xmlns="http://abr.business.gov.au/ABRXMLSearch/">
      <searchString>74599608295 </searchString>
      <includeHistoricalDetails>N</includeHistoricalDetails>
      <authenticationGuid>SOMEGUID-3FE4-ABCD-8CBC-B</authenticationGuid>
    </ABRSearchByABN>
  </soap:Body>
</soap:Envelope>
```

10.7 Search By ASIC

Below is a sample SOAP request to search for ACN **518 247 535** without history:

```
<?xml version="1.0" encoding="utf-8"?>
<soap:Envelope xmlns:xsi="http://www.w3.org/2001/XMLSchema-instance"
  xmlns:xsd="http://www.w3.org/2001/XMLSchema"
  xmlns:soap="http://schemas.xmlsoap.org/soap/envelope/">
  <soap:Body>
    <ABRSearchByASIC xmlns="http://abr.business.gov.au/ABRXMLSearch/">
      <searchString>518247535</searchString>
      <includeHistoricalDetails>N</includeHistoricalDetails>
      <authenticationGuid>SOMEGUID-3FE4-ABCD-8CBC-B </authenticationGuid>
    </ABRSearchByASIC>
  </soap:Body>
</soap:Envelope>
```

10.8 Search By Name

Below is a sample SOAP request to search for the **department of industry** in ACT, NT, QLD, Tas and WA. All name types are included in the search:

```
<?xml version="1.0" encoding="utf-8"?>
<soap:Envelope xmlns:xsi="http://www.w3.org/2001/XMLSchema-instance"
  xmlns:xsd="http://www.w3.org/2001/XMLSchema"
  xmlns:soap="http://schemas.xmlsoap.org/soap/envelope/">
  <soap:Body>
    <ABRSearchByName xmlns="http://abr.business.gov.au/ABRXMLSearch/">
      <externalNameSearch>
        <authenticationGuid> SOMEGUID-3FE4-ABCD-8CBC-B </authenticationGuid>
        <name>department of industry</name>
        <filters>
          <nameType>
            <tradingName>Y</tradingName>
            <legalName>Y</legalName>
          </nameType>
          <postcode>ALL</postcode>
        </filters>
      </externalNameSearch>
    </ABRSearchByName>
  </soap:Body>
</soap:Envelope>
```



```

    <stateCode>
      <QLD>Y</QLD>
      <NT>Y</NT>
      <SA>N</SA>
      <WA>Y</WA>
      <VIC>N</VIC>
      <ACT>Y</ACT>
      <TAS>Y</TAS>
      <NSW>N</NSW>
    </stateCode>
  </filters>
</externalNameSearch>
  <authenticationGuid>SOMEGUID-3FE4-ABCD-8CBC-B </authenticationGuid>
</ABRSearchByName>
</soap:Body>
</soap:Envelope>

```

10.9 Advanced Search By Name

Below is a sample SOAP request to search for the **department of industry** in ACT, NT, QLD, TAS and WA. All name types are included in the search but only records where the match score is 95 or above are returned. The searchWidth is Typical:

```

<?xml version="1.0" encoding="utf-8"?>
<soap:Envelope xmlns:xsi="http://www.w3.org/2001/XMLSchema-instance"
  xmlns:xsd="http://www.w3.org/2001/XMLSchema"
  xmlns:soap="http://schemas.xmlsoap.org/soap/envelope/">
  <soap:Body>
    <ABRSearchByNameAdvanced xmlns="http://abr.business.gov.au/ABRXMLSearch/">
      <externalNameSearch>
        <searchWidth>Typical</searchWidth>
        <minimumScore>95</minimumScore>
        <authenticationGuid> SOMEGUID-3FE4-ABCD-8CBC-B </authenticationGuid>
        <name>department of industry</name>
        <filters>
          <nameType>
            <tradingName>Y</tradingName>
            <legalName>Y</legalName>
          </nameType>
          <postcode>ALL</postcode>
          <stateCode>
            <QLD>Y</QLD>
            <NT>Y</NT>
            <SA>N</SA>
            <WA>Y</WA>
            <VIC>N</VIC>
            <ACT>Y</ACT>
            <TAS>Y</TAS>
            <NSW>N</NSW>
          </stateCode>
        </filters>
      </externalNameSearch>
      <authenticationGuid> SOMEGUID-3FE4-ABCD-8CBC-B </authenticationGuid>
    </ABRSearchByNameAdvanced>
  </soap:Body>
</soap:Envelope>

```



10.10 Advanced Search By Name 2006

Below is a sample SOAP request to search for the **department of industry** in ACT, NT, QLD, TAS and WA. All name types are included in the search but only records where the match score is 90 or above are returned. The searchWidth is Typical and the maximum number of records returned is 1,000:

```
<?xml version="1.0" encoding="utf-8"?>
<soap:Envelope xmlns:xsi="http://www.w3.org/2001/XMLSchema-instance"
  xmlns:xsd="http://www.w3.org/2001/XMLSchema"
  xmlns:soap="http://schemas.xmlsoap.org/soap/envelope/">
  <soap:Body>
    <ABRSearchByNameAdvanced2006 xmlns="http://abr.business.gov.au/ABRXMLSearch/">
      <externalNameSearch>
        <maxSearchResults>1000</maxSearchResults>
        <searchWidth>Typical</searchWidth>
        <minimumScore>90</minimumScore>
        <authenticationGuid>SOMEGUID-3FE4-ABCD-8CBC-B </authenticationGuid>
        <name>department of industry</name>
        <filters>
          <nameType>
            <tradingName>Y</tradingName>
            <legalName>Y</legalName>
          </nameType>
          <postcode>ALL</postcode>
          <stateCode>
            <QLD>Y</QLD>
            <NT>Y</NT>
            <SA>N</SA>
            <WA>Y</WA>
            <VIC>N</VIC>
            <ACT>Y</ACT>
            <TAS>Y</TAS>
            <NSW>N</NSW>
          </stateCode>
        </filters>
      </externalNameSearch>
      <authenticationGuid> SOMEGUID-3FE4-ABCD-8CBC-B </authenticationGuid>
    </ABRSearchByName>
  </soap:Body>
</soap:Envelope>
```



Appendix C – Search Response examples

10.11 Business Entity without history

If a record matching an ABN or ACN is found, the response contains a *business entity* as per the example below:

```
<?xml version="1.0" encoding="utf-8"?>
<ABRPayloadSearchResults xmlns:xsd="http://www.w3.org/2001/XMLSchema"
xmlns:xsi="http://www.w3.org/2001/XMLSchema-instance" xmlns="http://abr.business.gov.au/ABRXMLSearch/">
  <request>
    <identifierSearchRequest>
      <authenticationGUID>SOMEGUID-3FE4-ABCD-8CBC-B </authenticationGUID>
      <identifierType>ABN</identifierType>
      <identifierValue>74599608295 </identifierValue>
      <history>N</history>
    </identifierSearchRequest>
  </request>
  <response>
    <usageStatement>This extract is based on information that was supplied by businesses to the Registrar of the Australian Business Register. Neither the Registrar of the ABR nor the Commonwealth guarantee that this information is accurate, up to date or complete. You should consider verifying this information from other sources.</usageStatement>
    <dateRegisterLastUpdated>2005-09-08</dateRegisterLastUpdated>
    <dateTimeRetrieved>2005-09-08T07:28:44.1381102+10:00</dateTimeRetrieved>
    <businessEntity>
      <recordLastUpdatedDate>2007-12-03</recordLastUpdatedDate>
      <ABN>
        <identifierValue>74599608295 </identifierValue>
        <isCurrentIndicator>Y</isCurrentIndicator>
        <replacedIdentifierValue xsi:nil="true"/>
        <replacedFrom>0001-01-01</replacedFrom>
      </ABN>
      <entityStatus>
        <entityStatusCode>Active</entityStatusCode>
        <effectiveFrom>2007-12-03</effectiveFrom>
        <effectiveTo>0001-01-01</effectiveTo>
      </entityStatus>
      <ASICNumber/>
      <entityType>
        <entityTypeCode>CGE </entityTypeCode>
        <entityDescription>Commonwealth Government Entity</entityDescription>
      </entityType>
      <goodsAndServicesTax>
        <effectiveFrom>2007-12-03</effectiveFrom>
        <effectiveTo>0001-01-01</effectiveTo>
      </goodsAndServicesTax>
      <mainName>
        <organisationName>Department of Innovation Industry Science and Research</organisationName>
        <effectiveFrom>2007-12-03</effectiveFrom>
      </mainName>
      <mainBusinessPhysicalAddress>
        <stateCode>ACT</stateCode>
        <postcode>2600</postcode>
        <effectiveFrom>2007-12-03</effectiveFrom>
        <effectiveTo>0001-01-01</effectiveTo>
      </mainBusinessPhysicalAddress>
    </businessEntity>
  </response>
</ABRPayloadSearchResults>
```



10.12 Business Entity with history

If the option to include history is true, historical details are included in the business entity as shown below:

```
<?xml version="1.0" encoding="utf-8"?>
<ABRPayloadSearchResults xmlns:xsd="http://www.w3.org/2001/XMLSchema"
xmlns:xsi="http://www.w3.org/2001/XMLSchema-instance" xmlns="http://abr.business.gov.au/ABRXMLSearch/">
  <request>
    <identifierSearchRequest>
      <authenticationGUID> SOMEGUID-3FE4-ABCD-8CBC-B </authenticationGUID>
      <identifierType>ABN</identifierType>
      <identifierValue>51824753556</identifierValue>
      <history>N</history>
    </identifierSearchRequest>
  </request>
  <response>
    <usageStatement>This extract is based on information that was supplied by businesses to the
of the Australian Business Register. Neither the Registrar of the ABR
the Commonwealth guarantee that this information is accurate, up to date or
. You should consider verifying this information from other sources.</usageStatement>
    <dateRegisterLastUpdated>2007-12-07</dateRegisterLastUpdated>
    <dateTimeRetrieved>2007-12-07T09:41:32.6951021+11:00</dateTimeRetrieved>
    <businessEntity>
      <recordLastUpdatedDate>2005-10-02</recordLastUpdatedDate>
      <ABN>
        <identifierValue>51824753556</identifierValue>
        <isCurrentIndicator>Y</isCurrentIndicator>
        <replacedIdentifierValue xsi:nil="true"/>
        <replacedFrom>0001-01-01</replacedFrom>
      </ABN>
      <entityStatus>
        <entityStatusCode>Active</entityStatusCode>
        <effectiveFrom>1999-11-01</effectiveFrom>
        <effectiveTo>0001-01-01</effectiveTo>
      </entityStatus>
      <ASICNumber/>
      <entityType>
        <entityTypeCode>CGE </entityTypeCode>
        <entityDescription>Commonwealth Government Entity</entityDescription>
      </entityType>
      <goodsAndServicesTax>
        <effectiveFrom>2000-07-01</effectiveFrom>
        <effectiveTo>0001-01-01</effectiveTo>
      </goodsAndServicesTax>
      <mainName>
        <organisationName>AUSTRALIAN TAXATION OFFICE</organisationName>
        <effectiveFrom>1999-11-01</effectiveFrom>
      </mainName>
      <mainTradingName>
        <organisationName>AUSTRALIAN TAXATION OFFICE</organisationName>
        <effectiveFrom>2000-03-09</effectiveFrom>
      </mainTradingName>
      <otherTradingName>
        <organisationName>Australian Taxation Office-Superannuation Group</organisationName>
        <effectiveFrom>2000-05-19</effectiveFrom>
      </otherTradingName>
      <mainBusinessPhysicalAddress>
        <stateCode>ACT</stateCode>
        <postcode>2601</postcode>
        <effectiveFrom>2005-10-02</effectiveFrom>
        <effectiveTo>0001-01-01</effectiveTo>
      </mainBusinessPhysicalAddress>
    </businessEntity>
  </response>
</ABRPayloadSearchResults>
```

10.13 Search Results List



A name search returns a *search results list* as per the example below:

```
<?xml version="1.0" encoding="utf-8"?>
<ABRPayloadSearchResults xmlns:xsd="http://www.w3.org/2001/XMLSchema"
xmlns:xsi="http://www.w3.org/2001/XMLSchema-instance" xmlns="http://abr.business.gov.au/ABRXMLSearch/">
  <request>
    <nameSearchRequestAdvanced>
      <authenticationGUID> SOMEGUID-3FE4-ABCD-8CBC-B </authenticationGUID>
      <name>department of industry</name>
      <filters>
        <nameType>
          <tradingName>Y</tradingName>
          <legalName>Y</legalName>
        </nameType>
        <postcode xsi:nil="true"/>
        <stateCode>
          <QLD>Y</QLD>
          <NT>Y</NT>
          <SA>Y</SA>
          <WA>Y</WA>
          <VIC>Y</VIC>
          <ACT>Y</ACT>
          <TAS>Y</TAS>
          <NSW>Y</NSW>
        </stateCode>
      </filters>
      <searchWidth>Typical</searchWidth>
      <minimumScore>95</minimumScore>
    </nameSearchRequestAdvanced>
  </request>
  <response>
    <usageStatement>This extract is based on information that was supplied by businesses to the Registrar of the Australian Business Register. Neither the Registrar of the ABR nor the Commonwealth guarantee that this information is accurate, up to date or complete. You should consider verifying this information from other sources.</usageStatement>
    <dateRegisterLastUpdated>2005-09-07</dateRegisterLastUpdated>
    <dateTimeRetrieved>2005-09-07T17:46:55.8856098+10:00</dateTimeRetrieved>
    <searchResultsList>
      <numberOfRecords>5</numberOfRecords>
      <searchResultsRecord>
        <ABN>
          <identifierValue>69410335356</identifierValue>
          <identifierStatus>Active</identifierStatus>
        </ABN>
        <mainName>
          <organisationName>Department Of Industry And Resources</organisationName>
          <score>97</score>
          <isCurrentIndicator>Y</isCurrentIndicator>
        </mainName>
        <mainBusinessPhysicalAddress>
          <stateCode>WA</stateCode>
          <postcode>6004</postcode>
          <isCurrentIndicator>Y</isCurrentIndicator>
        </mainBusinessPhysicalAddress>
      </searchResultsRecord>
      <searchResultsRecord>
        <ABN>
          <identifierValue>94200796476</identifierValue>
          <identifierStatus>Cancelled</identifierStatus>
        </ABN>
        <mainName>
          <organisationName>Department Of Industry And Technology</organisationName>
          <score>97</score>
          <isCurrentIndicator>Y</isCurrentIndicator>
        </mainName>
        <mainBusinessPhysicalAddress>
          <stateCode>WA</stateCode>
          <postcode>6000</postcode>
          <isCurrentIndicator>Y</isCurrentIndicator>
        </mainBusinessPhysicalAddress>
      </searchResultsRecord>
    </searchResultsList>
  </response>
</ABRPayloadSearchResults>
```



```

<searchResultsRecord>
  <ABN>
    <identifierValue>64739088312</identifierValue>
    <identifierStatus>Cancelled</identifierStatus>
  </ABN>
  <mainTradingName>
    <organisationName>DEPARTMENT OF INDUSTRY AND TRADE</organisationName>
    <score>97</score>
    <isCurrentIndicator>Y</isCurrentIndicator>
  </mainTradingName>
  <mainBusinessPhysicalAddress>
    <stateCode>SA</stateCode>
    <postcode>5000</postcode>
    <isCurrentIndicator>Y</isCurrentIndicator>
  </mainBusinessPhysicalAddress>
</searchResultsRecord>
<searchResultsRecord>
  <ABN>
    <identifierValue>84085734992</identifierValue>
    <identifierStatus>Active</identifierStatus>
  </ABN>
  <otherTradingName>
    <organisationName>Department Of Industries And Business</organisationName>
    <score>95</score>
    <isCurrentIndicator>N</isCurrentIndicator>
  </otherTradingName>
  <mainBusinessPhysicalAddress>
    <stateCode>NT</stateCode>
    <postcode>0801</postcode>
    <isCurrentIndicator>Y</isCurrentIndicator>
  </mainBusinessPhysicalAddress>
</searchResultsRecord>
<searchResultsRecord>
  <ABN>
    <identifierValue>64739088312</identifierValue>
    <identifierStatus>Cancelled</identifierStatus>
  </ABN>
  <mainName>
    <organisationName>DEPT OF INDUSTRY & TRADE</organisationName>
    <score>95</score>
    <isCurrentIndicator>Y</isCurrentIndicator>
  </mainName>
  <mainBusinessPhysicalAddress>
    <stateCode>SA</stateCode>
    <postcode>5000</postcode>
    <isCurrentIndicator>Y</isCurrentIndicator>
  </mainBusinessPhysicalAddress>
</searchResultsRecord>
</searchResultsList>
</response>
</ABRPayloadSearchResults>

```

10.14 Exception

If an application exception occurs, the response contains an *exception* as follows:

```

<?xml version="1.0" encoding="utf-8"?>
<ABRPayloadSearchResults xmlns:xsd="http://www.w3.org/2001/XMLSchema"
xmlns:xsi="http://www.w3.org/2001/XMLSchema-instance" xmlns="http://abr.business.gov.au/ABRXMLSearch/">
  <request>
    <identifierSearchRequest>
      <authenticationGUID>SOMEGUID-3FE4-ABCD-8CBC-B </authenticationGUID>
      <identifierType>ABN</identifierType>
      <identifierValue>12345678909</identifierValue>
      <history>Y</history>
    </identifierSearchRequest>
  </request>
  <response>
    <dateRegisterLastUpdated>0001-01-01</dateRegisterLastUpdated>
    <dateTimeRetrieved>2005-09-09T10:45:27.8053978+10:00</dateTimeRetrieved>

```



```
<exception>  
  <exceptionDescription>Search string: 12345678909 does not match search type:  
CurrentABN</exceptionDescription>  
  <exceptionCode>Search</exceptionCode>  
</exception>  
</response>  
</ABRPayloadSearchResults>
```



Appendix D - Entity Types

Below are the current entity types available for an ABN, sorted alphabetically by description:

Code	Description
ADF	Approved Deposit Fund
ARF	APRA Regulated Fund (Fund Type Unknown)
NPF	APRA Regulated Non-Public Offer Fund
POF	APRA Regulated Public Offer Fund
PRV	Australian Private Company
PUB	Australian Public Company
C	
CMT	Cash Management Trust
CSA	Commonwealth Government APRA Regulated Public Sector Fund
CSP	Commonwealth Government APRA Regulated Public Sector Scheme
CTC	Commonwealth Government Cash Management Trust
CGC	Commonwealth Government Company
CCC	Commonwealth Government Co-operative
CCU	Commonwealth Government Corporate Unit Trust
CTI	Commonwealth Government Discretionary Investment Trust
CTD	Commonwealth Government Discretionary Services Management Trust
CTT	Commonwealth Government Discretionary Trading Trust
CGE	Commonwealth Government Entity
CTF	Commonwealth Government Fixed Trust
CTU	Commonwealth Government Fixed Unit Trust
CTH	Commonwealth Government Hybrid Trust
CCL	Commonwealth Government Limited Partnership
CTL	Commonwealth Government Listed Public Unit Trust
CSS	Commonwealth Government Non-Regulated Super Fund
CCO	Commonwealth Government Other Incorporated Entity
CCN	Commonwealth Government Other Unincorporated Entity
CGP	Commonwealth Government Partnership
CCP	Commonwealth Government Pooled Development Fund
CCR	Commonwealth Government Private Company
CCB	Commonwealth Government Public Company
CCT	Commonwealth Government Public Trading Trust
CGA	Commonwealth Government Statutory Authority
CCS	Commonwealth Government Strata Title
CGS	Commonwealth Government Super Fund
CGT	Commonwealth Government Trust
CTQ	Commonwealth Government Unlisted Public Unit Trust
COP	Co-operative
CUT	Corporate Unit Trust
D	
DES	Deceased Estate
DIP	Diplomatic/Consulate Body or High Commission
DIT	Discretionary Investment Trust
DST	Discretionary Services Management Trust
DTT	Discretionary Trading Trust
F	
FPT	Family Partnership
FXT	Fixed Trust
FUT	Fixed Unit Trust
FHS	First Home Saver Accounts Trust

**H**

HYT Hybrid Trust

I

IND Individual/Sole Trader

L

LPT Limited Partnership

PUT Listed Public Unit Trust

LSA Local Government APRA Regulated Public Sector Fund

LSP Local Government APRA Regulated Public Sector Scheme

LTC Local Government Cash Management Trust

LGC Local Government Company

LCC Local Government Co-operative

LCU Local Government Corporate Unit Trust

LTI Local Government Discretionary Investment Trust

LTD Local Government Discretionary Services Management Trust

LTT Local Government Discretionary Trading Trust

LGE Local Government Entity

LTF Local Government Fixed Trust

LTU Local Government Fixed Unit Trust

LTH Local Government Hybrid Trust

LCL Local Government Limited Partnership

LTL Local Government Listed Public Unit Trust

LSS Local Government Non-Regulated Super Fund

LCO Local Government Other Incorporated Entity

LCN Local Government Other Unincorporated Entity

LGP Local Government Partnership

LCP Local Government Pooled Development Fund

LCR Local Government Private Company

LCB Local Government Public Company

LCT Local Government Public Trading Trust

LGA Local Government Statutory Authority

LCS Local Government Strata Title

LGT Local Government Trust

LTQ Local Government Unlisted Public Unit Trust

N

NRF Non-Regulated Superannuation Fund

O

OIE Other Incorporated Entity

PTR Other Partnership

TRT Other Trust

UIE Other Unincorporated Entity

P

PDF Pooled Development Fund

PST Pooled Superannuation Trust

PTT Public Trading Trust

R

SMF Regulated Self-Managed Superannuation Fund

S

SAF Small APRA Regulated Fund

SSA State Government APRA Regulated Public Sector Fund

SSP State Government APRA Regulated Public Sector Scheme

STC State Government Cash Management Trust

SGC State Government Company

SCC State Government Co-operative



SCU	State Government Corporate Unit Trust
STI	State Government Discretionary Investment Trust
STD	State Government Discretionary Services Management Trust
STT	State Government Discretionary Trading Trust
SGE	State Government Entity
STF	State Government Fixed Trust
STU	State Government Fixed Unit Trust
STH	State Government Hybrid Trust
SCL	State Government Limited Partnership
STL	State Government Listed Public Unit Trust
SSS	State Government Non-Regulated Super Fund
SCO	State Government Other Incorporated Entity
SCN	State Government Other Unincorporated Entity
SGP	State Government Partnership
SCP	State Government Pooled Development Fund
SCR	State Government Private Company
SCB	State Government Public Company
SCT	State Government Public Trading Trust
SGA	State Government Statutory Authority
SCS	State Government Strata Title
SGT	State Government Trust
STQ	State Government Unlisted Public Unit Trust
STR	Strata-title
SUP	Super Fund
T	
TSA	Territory Government APRA Regulated Public Sector Fund
TSP	Territory Government APRA Regulated Public Sector Scheme
TTC	Territory Government Cash Management Trust
TCC	Territory Government Co-operative
TCU	Territory Government Corporate Unit Trust
TTI	Territory Government Discretionary Investment Trust
TTD	Territory Government Discretionary Services Management Trust
TTT	Territory Government Discretionary Trading Trust
TGE	Territory Government Entity
TTF	Territory Government Fixed Trust
TTU	Territory Government Fixed Unit Trust
TTH	Territory Government Hybrid Trust
TCL	Territory Government Limited Partnership
TTL	Territory Government Listed Public Unit Trust
TSS	Territory Government Non-Regulated Super Fund
TCO	Territory Government Other Incorporated Entity
TCN	Territory Government Other Unincorporated Entity
TGP	Territory Government Partnership
TCP	Territory Government Pooled Development Fund
TCR	Territory Government Private Company
TCB	Territory Government Public Company
TCT	Territory Government Public Trading Trust
TGA	Territory Government Statutory Authority
TCS	Territory Government Strata Title
TGT	Territory Government Trust
TTQ	Territory Government Unlisted Public Unit Trust
U	
PQT	Unlisted Public Unit Trust



Appendix E - Charity Types

Below are the current charity types available for an ABN

Code	Description
CF	Charitable Fund
PBI	Public Benevolent Institution
HPC	Health Promotion Charity
CI	Charitable Institution
PBIE	Public Benevolent Institution Employer
TEF	Income Tax Exempt Fund



Appendix F - Charity Tax Concession Types

Below are the current charity tax concession types available for an ABN

Code	Description
GSTC	GST Concessions
ITEC	Income Tax Exemption
FBTR	FBT Rebate
FBTE	FBT Exemption



Appendix G – Superannuation compliance

Below are the possible values superannuation compliance codes and descriptions.

Fund type	Code	Description
Self managed super fund (SMSF)	P	Election to be regulated is being processed
	R	Registered - status not determined
	Y	Complying
	N	Non-complying
	E	Regulation details removed
	I	Regulation details withheld
	S	Regulation details withheld
Other fund type	NONREGULATED	Non-regulated
	EXEMPT	Exempt from regulation
	APRA	Registered
	NOTAPRAREGISTERED	Not registered with APRA



Appendix H – Superannuation regulator types

Below are the possible values for superannuation regulators

Code	Description
ATOREGULATED	ATO Regulated Funds
APRAREGULATED	APRA Regulated Funds
NONREGULATED	Non Regulated Fund
EXEMPT	Exempt from regulation



Appendix I – Trading vs Business Names on the ABR

Background

Since it was first launched, the Australian Business Register (ABR) has captured and stored what it refers to as *trading names*.

A trading name is the name under which an entity trades, for example, *ABC Pty Ltd* trading as *Blocks on Blocks*. A trading name may be registered or may be any other name by which an entity is known. An entity may have more than one trading name.

Trading names are not linked to existing state and territory business name registers nor to the Australian Securities and Investments Commission (ASIC) National Names Index (NNI).

ASIC National Business Names Register

Depending on the successful passage of legislation through state and territory parliaments, ASIC will introduce a new National Business Names Register on May 28, 2012.

Business name information on the ABR will be kept up-to-date by a real time link between ASIC's national business name register and the ABR.

For more information, visit www.asic.gov.au.

Important Dates

From 28 May, 2012:

- the ASIC National Business Names Register will be introduced
- the ABR and ABN Lookup will start to display registered business names
- the ABR will no longer collect or update trading names or non-registered business names. However, existing trading names will continue to be displayed on ABN Lookup.
- the ASIC National Business Names Register will begin adding and updating business name information in the ABR.

In mid-2013, all trading names (excluding registered business names) will be removed from the ABR and ABN Lookup.



Appendix J – Data Dictionary

10.15 Identifier search - business entity result

Element Name	Description	Valid Values/Example	Max Length/Type
request/identifierSearchRequest			
authenticationGUID	Your Globally Unique Identifier used to access the web services.	SOMEGUID-3FE4-ABCD-8CBC-B	50
identifierType	The type of identifier - either ABN or ACN	Valid Values: ABN ASIC	4
identifierValue	The value the identifier - either the ABN (11 digits) or ACN (9 digits) number	E.g. ABN – 74599608295	11
history	Indicates whether historical information is required	Valid Values: Y = Yes N = No	1
response			
dateRegisterLastUpdated	The date the register was last updated	Displayed as yyyy-mm-dd	Date
dateTimeRetrieved	The date/time that the record was returned by the search	E.g. 2010-01-01T11:30:11.0011011+10:00	DateTime
businessEntity			
recordLastUpdatedDate	The date the entity details were last updated	Displayed as yyyy-mm-dd	Date
ABN			
ABN/identifierValue	This entity's ABN	E.g. 48123123124 (11 digits)	11
ABN/isCurrentIndicator	Indicates whether the ABN is current i.e. has not been replaced with another ABN.	Valid Values: Y = Yes N = No	1
ABN/replacedIdentifierValue	Any ABN that the entity has replaced - usually null.	E.g. 61814236264 (11 digits)	11
ABN/replacedFrom	If an ABN has been replaced, the date it was replaced. This is the same date for all ABNs including the current one. You will be	Displayed as yyyy-mm-dd	Date



Element Name	Description	Valid Values/Example	Max Length/Type
	unable to determine which order the ABNs were issued in – you can only determine the current one.		
entityStatus			
entityStatus/entityStatusCode	The status of the ABN i.e. either active or cancelled.	Valid Values: Active Cancelled	9
entityStatus/effectiveFrom	The date of effect of the ABN status.	Displayed as yyyy-mm-dd	Date
entityStatus/effectiveTo	The date the status ceases to be effective. Note - 0001-01-01 is a null date and indicates the status is currently effective.	Displayed as yyyy-mm-dd	Date
ASICNumber			
ASICNumber	The Australian Company Number (ACN) assigned by ASIC	E.g. 123123124 (9 digits)	9
entityType			
entityType/entityTypeCode	The code that defines the entity type	Refer to Entity type list for details	4
entityType/entityDescription	The description of the entity type	Refer to Entity type list for details	100
goodsAndServicesTax			
goodsAndServicesTax/effectiveFrom	The date the GST registration came into effect.	Displayed as yyyy-mm-dd	Date
goodsAndServicesTax/effectiveTo	The date the GST registration ceased. Note - 0001-01-01 is a null date and indicates the GST status is currently effective.	Displayed as yyyy-mm-dd	Date
legalName			
	<i>legalName only applies to individuals.</i>		
legalName/givenName	The given name provided by the individual upon registration	E.g. Clinton	40
legalName/otherGivenName	The other given name or initial provided by the individual upon registration.	E.g. W or William	100
legalName/familyName	The family name provided by the individual upon registration.	E.g. New	40
legalName/effectiveFrom	The date of effect of the name.	Displayed as yyyy-mm-dd	Date
legalName/effectiveTo	The date the name ceases to be effective.	Displayed as yyyy-mm-dd	Date



Element Name	Description	Valid Values/Example	Max Length/Type
	Note - 0001-01-01 is a null date and indicates the name is currently effective.		
mainName	<i>mainName only applies to non-individuals.</i>		
mainName/organisationName	The name that appears on all official documents or legal papers. Only entities that are non-individual will have a mainName. An entity will have zero or 1 current mainName.		200
mainName/effectiveFrom	The date of effect of the name.	Displayed as yyyy-mm-dd	Date
mainName/effectiveTo	The date the name ceases to be effective. Note - 0001-01-01 is a null date and indicates the name is currently effective.	Displayed as yyyy-mm-dd	Date
businessName			
businessName/organisationName	Registered business name(s). An entity may have zero or more registered business name.		200
businessName/effectiveFrom	The date of effect of the name.	Displayed as yyyy-mm-dd	Date
businessName/effectiveTo	The date the name ceases to be effective. Note - 0001-01-01 is a null date and indicates the name is currently effective.	Displayed as yyyy-mm-dd	Date
mainTradingName			
mainTradingName/organisationName	The name the entity trades under or the name by which suppliers or customers know the entity. It may be different from the organisation name. An entity may have zero or more trading names.		200
mainTradingName/effectiveFrom	The date of effect of the name.	Displayed as yyyy-mm-dd	Date
mainTradingName/effectiveTo	The date the name ceases to be effective. Note - 0001-01-01 is a null date and indicates the name is currently effective.	Displayed as yyyy-mm-dd	Date
otherTradingName			
otherTradingName/organisationName	Other name(s) the entity trades under or the name by which suppliers or customers know the entity. An entity may have zero or		200



Element Name	Description	Valid Values/Example	Max Length/Type
	more other trading names.		
otherTradingName/effectiveFrom	The date of effect of the name.	Displayed as yyyy-mm-dd	Date
otherTradingName/effectiveTo	The date the name ceases to be effective. Note - 0001-01-01 is a null date and indicates the name is currently effective.	Displayed as yyyy-mm-dd	Date
mainBusinessPhysicalAddress			
mainBusinessPhysicalAddress/stateCode	The Australian state where the business is registered in.	Valid Values: ACT or NSW or VIC or QLD or SA or WA or TAS or NT	3
mainBusinessPhysicalAddress/postcode	The postcode where the entity is registered.	E.g. 2601 but also have some international postcodes e.g. NW51AG	12
mainBusinessPhysicalAddress/effectiveFrom	The date of effect of the address.	Displayed as yyyy-mm-dd	Date
mainBusinessPhysicalAddress/effectiveTo	The date the address ceases to be effective. Note - 0001-01-01 is a null date and indicates the address is currently effective.	Displayed as yyyy-mm-dd	Date
dgrFund			
dgrFundName/organisationName	The name of the deductible gift recipient fund.	E.g. Overseas Aid Fund	200
dgrFund/endorsedFrom	The date of effect of the DGR endorsement	Displayed as yyyy-mm-dd	Date
dgrFund /endorsedTo	The date DGR endorsement ceases to be effective. Note - 0001-01-01 is a null date and indicates the endorsement is currently effective.	Displayed as yyyy-mm-dd	Date
charityType			
charityTypeDescription	A description of the type of charity the entity is	E.g. Charitable Institution	100
effectiveFrom	The date of effect of the charity type	Displayed as yyyy-mm-dd	Date
effectiveTo	The date the charity type ceases to be effective. Note - 0001-01-01 is a null date and indicates the address is currently effective.	Displayed as yyyy-mm-dd	Date
taxConcessionCharityEndorsement			



Element Name	Description	Valid Values/Example	Max Length/Type
endorsementType	A description of the type of charity tax concession	E.g. GST Concession	100
effectiveFrom	The date of effect of the concession	Displayed as yyyy-mm-dd	Date
effectiveTo	The date the concession ceases to be effective. Note - 0001-01-01 is a null date and indicates the address is currently effective.	Displayed as yyyy-mm-dd	
publicBenevolentInstitutionEmployer			
pbiName/organisationName	The name of the PBIE		200
pbiName/effectiveFrom	The date of effect of the name	Displayed as yyyy-mm-dd	Date
pbiName/effectiveTo	The date the name ceases to be effective. Note - 0001-01-01 is a null date and indicates the address is currently effective.	Displayed as yyyy-mm-dd	Date
superannuationStatus			
complyingCode	A code to indicate whether the fund is complying, non-complying, etc	E.g. For SMSF P, R, Y, N, E, I, S For other fund types NONREGULATED EXEMPT APRA NOTAPRAREGISTERED	20
complyingDecription	A description of the complying code	E.g. Complying, Non-complying, Regulation details removed	100
regulator	A code to describe the fund regulator	E.g: ATOREGULATED APRAREGULATED NONREGULATED EXEMPT	15
mainPostalPhysicalAddress			
stateCode	State/territory part of the business's contact address.	Valid Values: ACT or NSW or VIC or QLD or SA or WA or TAS or NT	3
postcode	Postcode part of the business's contact address.	E.g. 2601	12



Element Name	Description	Valid Values/Example	Max Length/Type
addressLine1	The 1st line of the business's contact address.	E.g PO BOX 555	60
addressLine2	The 2nd line of the business's contact address.	E.g Back Street West	60
suburb	Suburb part of the business's contact address.	E.g McKay	50
countryName	Country part of the business's contact address.	E.g Australia	100

10.16 Name search - search Results List

Element Name	Description	Valid Values/Example	Max Length/Type
Request/nameSearchRequest			
authenticationGUID	Your Globally Unique Identifier used to access the web services.	SOMEGUID-3FE4-ABCD-8CBC-B	50
Name	Search text		200
Postcode	Filter by postcode	E.g. 6201	12
filters/nameType			
legalName	Filter to include/exclude legal names (individuals) and main (non-individuals) names	Y=Yes, N=No	1
businessName	Filter to include/exclude business names	Y=Yes, N=No	1
tradingName	Filter to include/exclude trading names	Y=Yes, N=No	1
stateCode			
QLD	Filter to include/exclude names in Qld	Y=Yes, N=No	1
NT	Filter to include/exclude names in NT	Y=Yes, N=No	1
SA	Filter to include/exclude names in SA	Y=Yes, N=No	1
WA	Filter to include/exclude names in WA	Y=Yes, N=No	1
VIC	Filter to include/exclude names in Vic	Y=Yes, N=No	1
ACT	Filter to include/exclude names in ACT	Y=Yes, N=No	1
Tas	Filter to include/exclude names in Tas	Y=Yes, N=No	1



Element Name	Description	Valid Values/Example	Max Length/Type
NSW	Filter to include/exclude names in NSW	Y=Yes, N=No	1
Response			
dateRegisterLastUpdated	The date the register was last updated	Displayed as yyyy-mm-dd	Date
dateTimeRetrieved	The date the information was extracted	Displayed as yyyy-mm-ddThh:mm:ss.ssssss+hh:00	DateTime
searchResultsList/searchResultsRecord			
numberOfRecords	Number of matching records returned	201	Integer
ABN			
identifierValue	11 digit ABN Number	E.g. ABN – 74599608295	11
identifierStatus	Active or Cancelled	Active	9
legalName <i>Legal name (equivalent to Main Name for non-individuals)</i>			
fullName	An individual's givenName + otherGivenName + familyName		200
score	Score out of 100. Measures how well name matches search text. A score of 100 is an exact match.	97	Integer
isCurrentIndicator	Indicates if name is current or historical	Y= is current, N= is not current (i.e is historical)	1
mainName <i>Main name (equivalent to Legal Name for individuals)</i>			
organisationName	Matching name	Freddy Pty Ltd	200
score	Score out of 100. Measures how well name matches search text. A score of 100 is an exact match.	97	Integer
isCurrentIndicator	Indicates if name is current or historical	Y= is current, N= is not current (i.e is historical)	1
businessName			
organisationName	Matching name	Freddy Pty Ltd	200
score	Score out of 100. Measures how well name matches search text. A score of 100 is an exact match.	97	Integer
isCurrentIndicator	Indicates if name is current or historical	Y= is current, N= is not current (i.e is historical)	1



Element Name	Description	Valid Values/Example	Max Length/Type
mainTradingName	Main trading name		
organisationName	Matching name		200
score	Score out of 100. Measures how well name matches search text. A score of 100 is an exact match.	97	Integer
isCurrentIndicator	Indicates if name is current or historical	Y= is current, N= is not current (i.e is historical)	1
otherTradingName	Other trading name		
organisationName	Matching name		200
score	Score out of 100. Measures how well name matches search text. A score of 100 is an exact match.	97	Integer
isCurrentIndicator	Indicates if name is current or historical	Y= is current, N= is not current (i.e is historical)	1
dgrFundName	Deductible gift recipient fund name		
organisationName	Matching name		200
Score	Score out of 100. Measures how well name matches search text. A score of 100 is an exact match.	97	Integer
isCurrentIndicator	Indicates if name is current or historical	Y= is current, N= is not current (i.e is historical)	1
PBIName	Public Benevolent Institution Employer(s) name		
organisationName	Matching name		200
Score	Score out of 100. Measures how well name matches search text. A score of 100 is an exact match.	97	Integer
isCurrentIndicator	Indicates if name is current or historical	Y= is current, N= is not current (i.e is historical)	1



Element Name	Description	Valid Values/Example	Max Length/Type
mainBusinessPhysicalAddress			
stateCode	The Australian state where the business is registered in.	Valid Values: ACT or NSW or VIC or QLD or SA or WA or TAS or NT	3
postcode	The postcode where the entity is registered.	E.g. 2601 but also have some international postcodes eg. NW51AG	12
isCurrentIndicator	Indicates if address is current. Currently it is always current.	Y= is current, N= is not current (i.e is historical)	1